

Excellent Integrated System Limited

Stocking Distributor

Click to view price, real time Inventory, Delivery & Lifecycle Information:

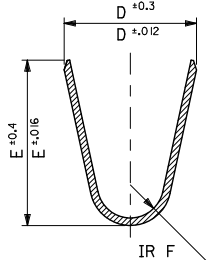
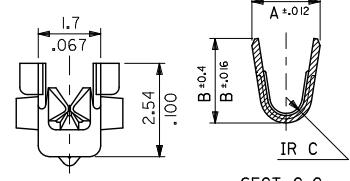
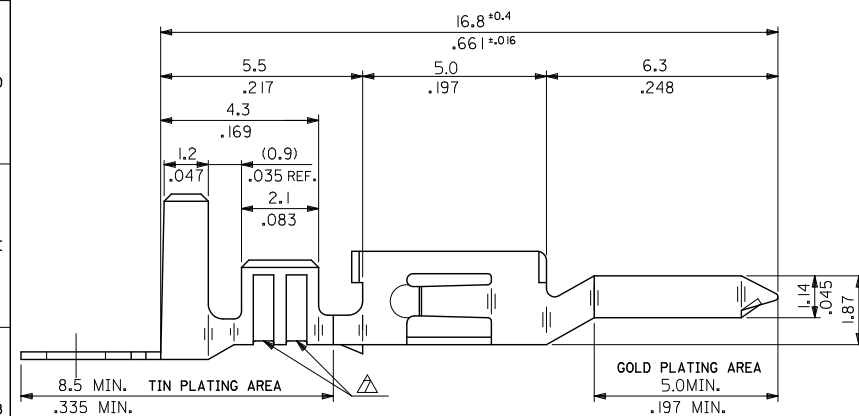
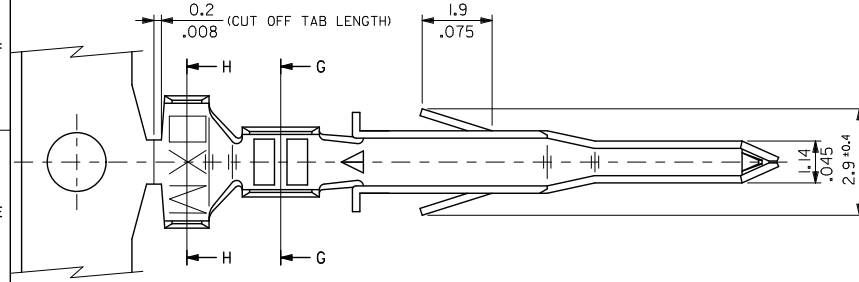
[Molex Connector Corporation](#)
[0039000430](#)

For any questions, you can email us directly:
sales@integrated-circuit.com

10 9 8 7 6 5 4 3 2 1

NOTES

1. MATERIAL: SEE CHART
2. FINISH: SEE CHART
3. PRODUCT SPECIFICATION: PS-5556-001, PS-5556-002, PS-5556-003.
4. PACKAGING SPECIFICATION: PK-5558-001 FOR CHAIN
PK-5556-003 FOR LOOSE
5. MATES WITH TERMINAL: 5556 SERIES.
6. APPLICABLE HOUSING: 5559, 30068, 42475 SERIES.
7. THE NUMBER OF SERRATIONS TO BE ONE FOR WIRE RANGE #22-28.
8. WHEN TERMINALS ARE INSTALLED IN THE HOUSING THE WIRES ARE TO BE DRESSED IN SUCH A MANNER TO ALLOW THE TERMINALS TO FLOAT FREELY IN THE POCKET.
9. THIS TERMINAL IS DESIGNED FOR SINGLE WIRE CRIMPING.
10. PART CONFORMS TO CLASS "B" REQUIREMENTS OF COSMETIC SPECIFICATION PS-45499-002.



UPDATE NOTES EC NO: UCP2010-2278 DRAWN: JAGUILAR 2010/04/06 CHECK: BELL 2010/05/21 APPROV: SMITH 2010/04/09	QUALITY SYMBOLS ∇=0 ∇=0 ∇=0	GENERAL TOLERANCES (UNLESS SPECIFIED)		DIMENSION STYLE	SCALE	DESIGN UNITS	THIRD ANGLE PROJECTION	
				MM/IN	10:1	METRIC		
		mm	INCH	DRAWN BY	DATE	TITLE		
		4 PLACES ± .08	± .008	H. HIRAMOTO	'91/03/13	MINI-FIT JR SELECT GOLD MALE CRIMP TERMINAL -LEAD FREE-		
3 PLACES ± .10	± .008	CHECKED BY	DATE	MATERIAL NO.			SHEET NO.	
2 PLACES ± 0.20	± .008	M. FUKUSHIMA	'92/05/21	SEE CHART			1 OF 2	
1 PLACE ± 0.2	± .008	APPROVED BY	DATE	DOCUMENT NO.				
ANGULAR ± 3°		FSMITH	2010/04/09	SD-5558-002				
DRAFT WHERE APPLICABLE MUST REMAIN WITHIN DIMENSIONS		THIS DRAWING CONTAINS INFORMATION THAT IS PROPRIETARY TO MOLEX INCORPORATED AND SHOULD NOT BE USED WITHOUT WRITTEN PERMISSION						

10 9 8 7 6 5 4 3 2 1

10 9 8 7 6 5 4 3 2 1

MATERIAL	FINISH	F	E	D	C	B	A	INS. RANGE	WIRE RANGE	EDP NO.	ENG NO.	FORM	
PHOSPHOR BRONZE	SELECTIVE GOLD 0.76µm /30m.I. MIN. AND SELECTIVE TIN 2.03µm /80m.I. MIN. OVER NICKEL 1.27µm /50m.I. MIN.	0.9	4.5	3.6	0.6	2.7	2.3	∅ 3.1 MAX. .122	# 16	39-00-0224	5558 PBGS3L	LOOSE	
		.035	.177	.142	.024	.106	.091			↑ -0223	↑ PBGS3	CHAIN	
		0.6	2.3	2.3	0.4	1.65	1.8	∅ 0.9-1.8	#22-28	-0222	PBGS2L	LOOSE	
		.024	.091	.091	.016	.065	.071	∅ .035-.071		-0221	PBGS2	CHAIN	
		0.9	4.5	3.6	0.5	2.3	1.9	∅ 1.3-3.1	#18-24	-0220	PBGS1L	LOOSE	
		.035	.177	.142	.020	.091	.075	∅ .051-.122		-0219	PBGS	CHAIN	
	BRASS	SELECTIVE GOLD 1.27µm /50m.I. MIN. AND SELECTIVE TIN 2.54µm /100m.I. MIN. OVER NICKEL 1.27µm /50m.I. MIN.	0.9	4.5	3.6	0.6	2.7	2.3	∅ 3.1 MAX. .122	# 16	-0148	GS9L	LOOSE
			.035	.177	.142	.024	.106	.091			-0147	GS9	CHAIN
			0.6	2.3	2.3	0.4	1.65	1.8	∅ 0.9-1.8	#22-28	↓ -0146	GS8L	LOOSE
			.024	.091	.091	.016	.065	.071	∅ .035-.071		39-00-0145	GS8	CHAIN
			0.9	4.5	3.6	0.5	2.3	1.9	∅ 1.3-3.1	#18-24	40-13-0854	GS7L	LOOSE
			.035	.177	.142	.020	.091	.075	∅ .051-.122		40-13-0853	GS7	CHAIN
SELECTIVE GOLD 0.38µm /15m.I. MIN. AND SELECTIVE TIN 2.03µm /80m.I. MIN. OVER NICKEL 1.27µm /50m.I. MIN.		0.9	4.5	3.6	0.6	2.7	2.3	∅ 3.1 MAX. .122	# 16	39-00-0100	GS6L	LOOSE	
		.035	.177	.142	.024	.106	.091			↑ -0099	GS6	CHAIN	
		0.6	2.3	2.3	0.4	1.65	1.8	∅ 0.9-1.8	#22-28	-0098	GS5L	LOOSE	
		.024	.091	.091	.016	.065	.071	∅ .035-.071		-0097	GS5	CHAIN	
		0.9	4.5	3.6	0.5	2.3	1.9	∅ 1.3-3.1	#18-24	-0076	GS4L	LOOSE	
		.035	.177	.142	.020	.091	.075	∅ .051-.122		-0075	GS4	CHAIN	
SELECTIVE GOLD 0.76µm /30m.I. MIN. AND SELECTIVE TIN 2.03µm /80m.I. MIN. OVER NICKEL 1.27µm /50m.I. MIN.	0.9	4.5	3.6	0.6	2.7	2.3	∅ 3.1 MAX. .122	# 16	-0096	GS3L	LOOSE		
	.035	.177	.142	.024	.106	.091			-0095	GS3	CHAIN		
	0.6	2.3	2.3	0.4	1.65	1.8	∅ 0.9-1.8	#22-28	-0433	GS2L7F	LOOSE		
	.024	.091	.091	.016	.065	.071	∅ .035-.071		-0432	GS27F	CHAIN		
	0.9	4.5	3.6	0.5	2.3	1.9	∅ 1.3-3.1	#18-24	↓ -0431	↓ GSL7F	LOOSE		
	.035	.177	.142	.020	.091	.075	∅ .051-.122		39-00-0430	5558 GS7F	CHAIN		

UPDATE TITLE BLOCK EC NO: UCP2010-2478 DRAWN: JAGUILAR 2010/04/06 CHECK: BELL 2010/05/27 APPROVE: SMITH 2010/04/09 REV:	QUALITY SYMBOLS ∇=0 ∇=0 ∇=0	GENERAL TOLERANCES (UNLESS SPECIFIED)		DIMENSION STYLE		SCALE	DESIGN UNITS	THIRD ANGLE PROJECTION	
				MM/IN		10:1	METRIC		
		4 PLACES ± -- ± --- 3 PLACES ± -- ± .008 2 PLACES ± 0.20 ± .008 1 PLACE ± 0.2 ± --- ANGULAR ± 3°		DRAWN BY H. HIRAMOTO DATE '91/03/13 CHECKED BY M. FUKUSHIMA DATE '92/05/21 APPROVED BY DATE SMITH 2010/04/09		TITLE MINI-FIT JR SELECT GOLD MALE CRIMP TERMINAL -LEAD FREE- MOLEX MOLEX INCORPORATED MATERIAL NO. SEE CHART DOCUMENT NO. SD-5558-002 SHEET NO. 2 OF 2			
		DRAFT WHERE APPLICABLE MUST REMAIN WITHIN DIMENSIONS		SIZE B		THIS DRAWING CONTAINS INFORMATION THAT IS PROPRIETARY TO MOLEX INCORPORATED AND SHOULD NOT BE USED WITHOUT WRITTEN PERMISSION			

9 8 7 6 5 4 3 2 1