

## **Excellent Integrated System Limited**

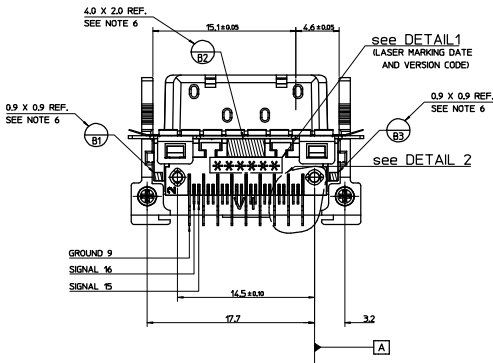
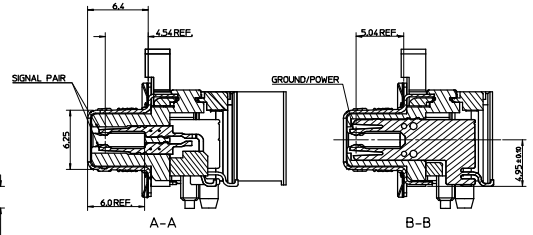
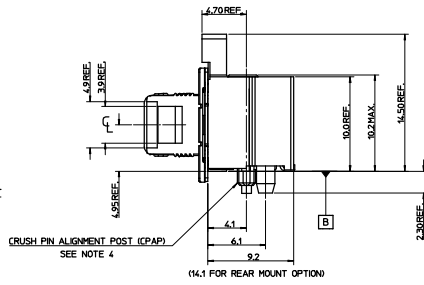
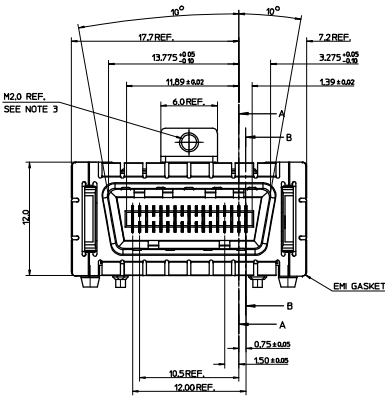
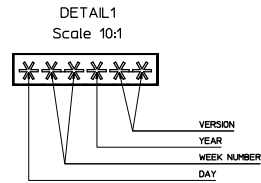
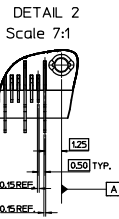
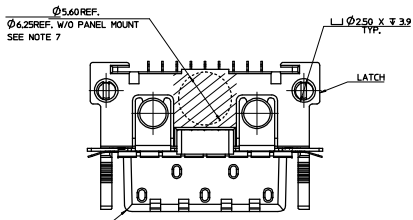
Stocking Distributor

Click to view price, real time Inventory, Delivery & Lifecycle Information:

[Molex Connector Corporation](#)  
[91804-0415](#)

For any questions, you can email us directly:  
[sales@integrated-circuit.com](mailto:sales@integrated-circuit.com)

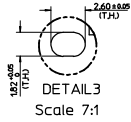
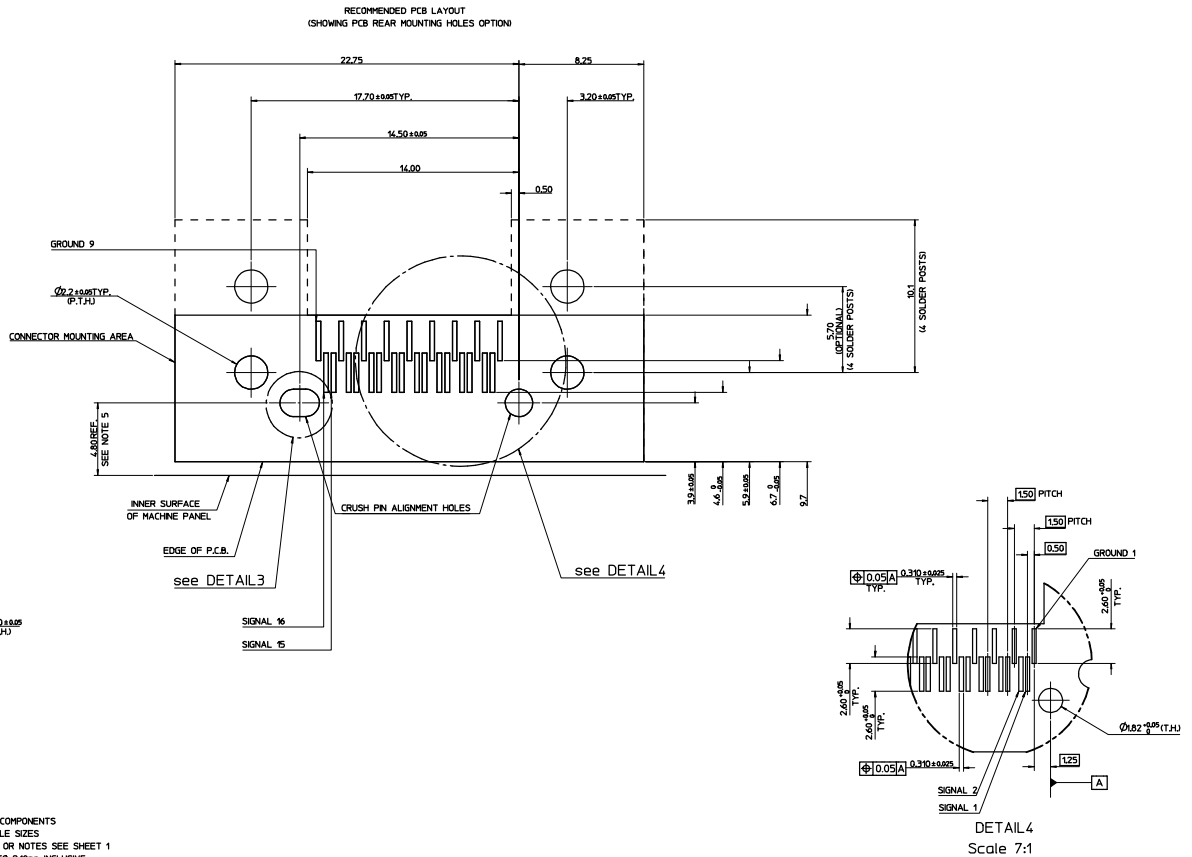
20 19 18 17 16 15 14 13 12 11 10 9 8 7 6 5 4 3 2 1



- NOTES:
1. PRODUCT SPECIFICATION PS-91525-001
  2. PACKAGING SPECIFICATION PK-91525-002 (TRAY) AND PK-91525-004 (TAPE AND REEL)
  3. SCREW THREAD M2.0 X 0.4 PITCH TAPPED THROUGH. RECOMMENDED SCREW M2 X 0.4 PITCH. LENGTH 8mm. WITH A PAN HEAD, RECOMMENDED TORQUE 0.3Nm.
  4. CPAP USED TO ALIGN THE SOLDER TAILS WITH THE PCB SOLDER PADS.
  5. RECEPTACLE CONTACTS 127um MIN NICKEL ALL OVER. CONTACT AREA 0.04um MIN GOLD OVER 0.76um MIN PALLADIUM NICKEL. SMT AREA 3um MIN TIN.
  6. PCB DATUM B = B1 + B2 + B3
  7. PICK AND PLACE AREA FOR VACUUM PICK UP.
  8. FOR 12X PARTS PLEASE REFER TO SD-91525-004.
  9. FOR 4X PARTS WITH FOAM GASKET PLEASE REFER TO SD-91804-001

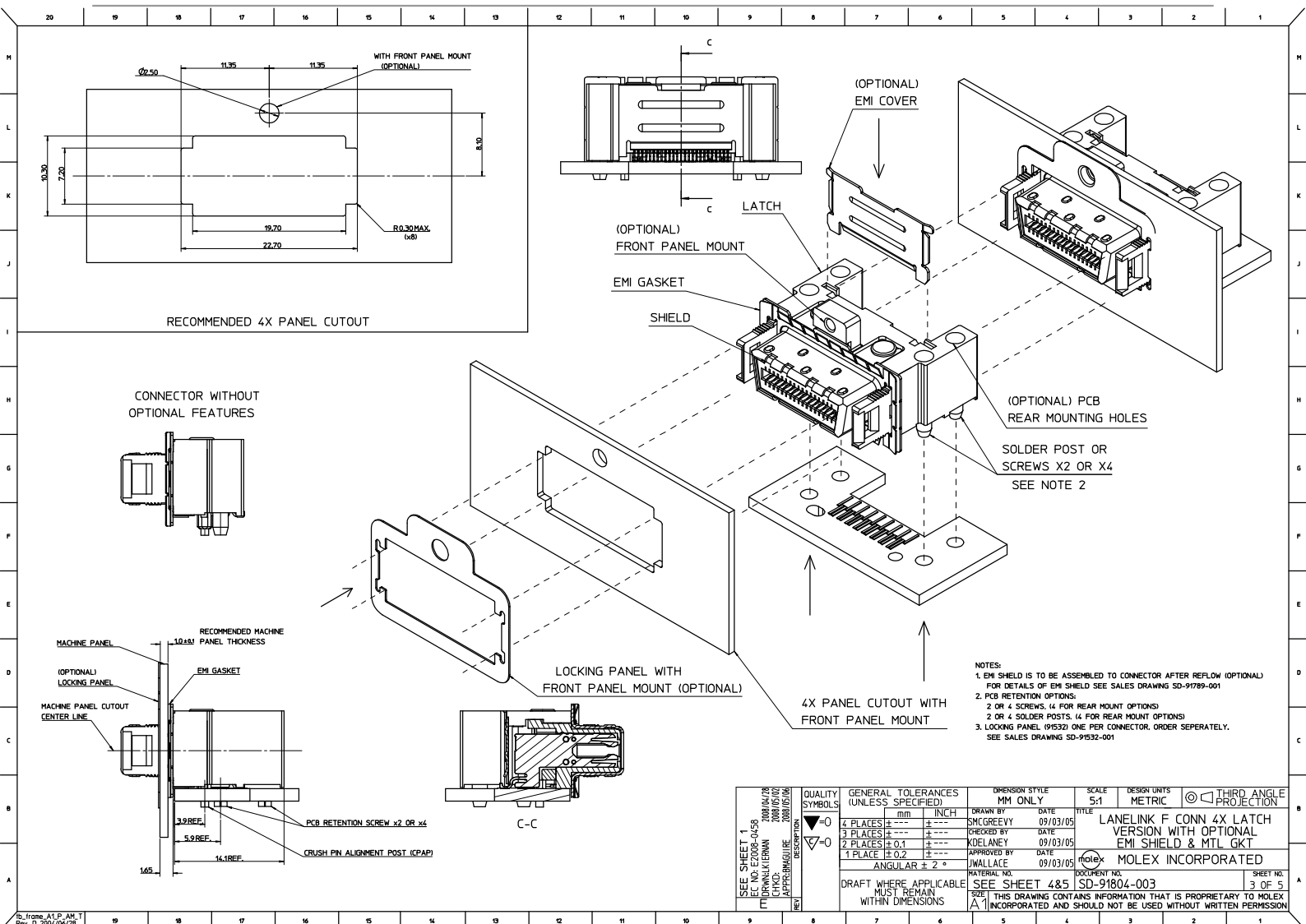
Mod to sub housing EC NO. E2008-0458 DRINKER/ERMAN CHKD. APPROVED/DLRE 2008/04/28 2008/05/02 2008/05/06	QUALITY SYMBOLS		GENERAL TOLERANCES (UNLESS SPECIFIED)		DIMENSION STYLE		SCALE	DESIGN UNITS	THIRD ANGLE PROJECTION
	4 PLACES $\pm 0.1$ 3 PLACES $\pm 0.1$ 2 PLACES $\pm 0.2$ 1 PLACE $\pm 0.2$		mm INCH --- --- --- --- --- --- --- ---		DRAWN BY DATE SW GREENEY 09/03/05 CHECKED BY DATE K DELANEY 09/03/05 APPROVED BY DATE J WALLACE 09/03/05		5:1	METRIC	TITLE LANELINK F CONN 4X LATCH VERSION WITH OPTIONAL EMI SHIELD & MTL GKT MOLEX INCORPORATED
	DRAFT WHERE APPLICABLE MUST REMAIN WITHIN DIMENSIONS		SEE SHEET 485		DOCUMENT NO.		DOCUMENT NO.		SHEET NO.
			SD-91804-003		SD-91804-003				1 OF 5

Rev. 1 2004/06/25 19 18 17 16 15 14 13 12 11 10 9 8 7 6 5 4 3 2 1

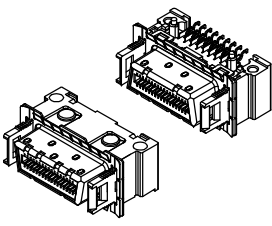
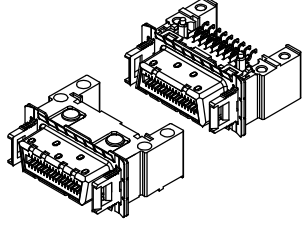
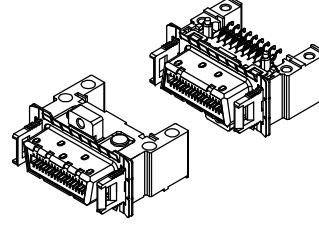
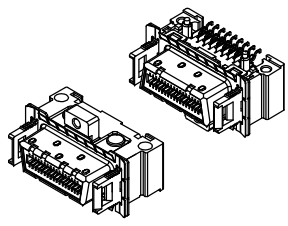
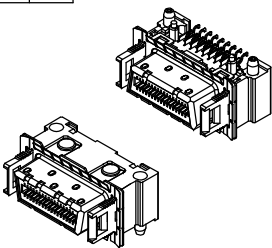
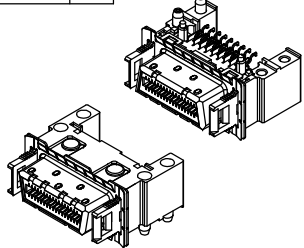
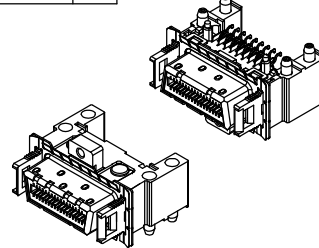
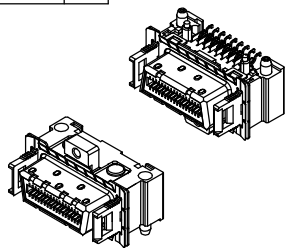


- NOTES:
1. AREAS OUTLINED TO BE FREE OF COMPONENTS
  2. ALL HOLE SIZES ARE FINISHED HOLE SIZES
  3. FOR ANY UNSPECIFIED DIMENSIONS OR NOTES SEE SHEET 1
  4. RANGE OF PCB THICKNESSES: 1.6 TO 2.15mm INCLUSIVE.  
LONGER SOLDER POSTS AVAILABLE FOR OTHER PCB THICKNESSES.  
FOR FURTHER INFORMATION PLEASE CONTACT LOCAL SALES OFFICE.
  5. THE DESIGN CAN ACCOMMODATE DIFFERENT VALUES OF THIS DIMENSION BY VARYING THE EM GASKET THICKNESS.
- FOR FURTHER INFORMATION PLEASE CONTACT YOUR LOCAL SALES OFFICE

SEE SHEET 1 EC. NO. E2008-0458 2008/04/28 DRAWN BY: ERMAN 2008/05/02 CHECKED: ERMAN 2008/05/02 APPROVED BY: ERMAN 2008/05/08 DESIGNED BY: ERMAN 2008/05/08	QUALITY SYMBOLS	GENERAL TOLERANCES (UNLESS SPECIFIED)	DIMENSION STYLE	SCALE	DESIGN UNITS	THIRD ANGLE PROJECTION
	▽=0	mm INCH	MM ONLY	8:1	METRIC	◎ □
	▽=0	4 PLACES ± --- ± ---	DRAWN BY: SW GREVY	DATE: 09/03/05	TITLE: LANELINK F CONN 4X LATCH VERSION WITH OPTIONAL EMI SHIELD & MTL GKT	
	▽=0	3 PLACES ± 0.1 ± ---	CHECKED BY: K DELANEY	DATE: 09/03/05	MOLEX INCORPORATED	
		2 PLACES ± 0.2 ± ---	APPROVED BY: J WALLACE	DATE: 09/03/05	MOLEX	
		1 PLACE ± 0.2 ± ---	ANGULAR ± 2 °	SEE SHEET 4 & 5	SD-91804-003	SHEET NO. 2 OF 5
			DRAFT WHERE APPLICABLE MUST REMAIN WITHIN DIMENSIONS	THIS DRAWING CONTAINS INFORMATION THAT IS PROPRIETARY TO MOLEX INCORPORATED AND SHOULD NOT BE USED WITHOUT WRITTEN PERMISSION		



SEE SHEET 1 SEC. NO. E2008-0458 2008/04/28 (T) DRINKALIK/ERMAN 2008/05/02 CHKD: APPROVED: 2008/05/06 (S)	QUALITY SYMBOLS	GENERAL TOLERANCES (UNLESS SPECIFIED)	DIMENSION STYLE	SCALE	DESIGN UNITS	THIRD ANGLE PROJECTION	
	4 PLACES ± 0.15 3 PLACES ± 0.1 2 PLACES ± 0.2 1 PLACE ± 0.25 ANGULAR ± 2°	mm INCH ± 0.15 ± 0.006 ± 0.1 ± 0.004 ± 0.2 ± 0.008 ± 0.25 ± 0.010	MM ONLY	DATE	5:1	METRIC	DRAWN BY: SWK/GREENVY 09/03/05 CHECKED BY: KDELANEY 09/03/05 APPROVED BY: J WALLACE 09/03/05 REF. NO. SD-91804-003
	DRAFT WHERE APPLICABLE MUST REMAIN WITHIN DIMENSIONS		SEE SHEET 485		SD-91804-003		TITLE: LANELINK F CONN 4X LATCH VERSION WITH OPTIONAL EMI SHIELD & MTL GKT MOLEX INCORPORATED DOCUMENT NO. 3 OF 5
	SEE SHEET 485		SD-91804-003		SD-91804-003		THIS DRAWING CONTAINS INFORMATION THAT IS PROPRIETARY TO MOLEX INCORPORATED AND SHOULD NOT BE USED WITHOUT WRITTEN PERMISSION

<table border="1"> <tr><td colspan="2">4X LATCH I/O</td></tr> <tr><td>REAR MOUNTS</td><td>NO</td></tr> <tr><td>PANEL MOUNT</td><td>NO</td></tr> <tr><td>SOLDER POSTS</td><td>NO</td></tr> </table>  <table border="1"> <tr><td>PART NO.</td><td>PACKAGING</td></tr> <tr><td>91804-0411</td><td>TRAY</td></tr> <tr><td>91804-8411</td><td>TAPE AND REEL</td></tr> </table>	4X LATCH I/O		REAR MOUNTS	NO	PANEL MOUNT	NO	SOLDER POSTS	NO	PART NO.	PACKAGING	91804-0411	TRAY	91804-8411	TAPE AND REEL	<table border="1"> <tr><td colspan="2">4X LATCH I/O</td></tr> <tr><td>REAR MOUNTS</td><td>YES</td></tr> <tr><td>PANEL MOUNT</td><td>NO</td></tr> <tr><td>SOLDER POSTS</td><td>NO</td></tr> </table>  <table border="1"> <tr><td>PART NO.</td><td>PACKAGING</td></tr> <tr><td>91804-0413</td><td>TRAY</td></tr> <tr><td>91804-8413</td><td>TAPE AND REEL</td></tr> </table>	4X LATCH I/O		REAR MOUNTS	YES	PANEL MOUNT	NO	SOLDER POSTS	NO	PART NO.	PACKAGING	91804-0413	TRAY	91804-8413	TAPE AND REEL	<table border="1"> <tr><td colspan="2">4X LATCH I/O</td></tr> <tr><td>REAR MOUNTS</td><td>YES</td></tr> <tr><td>PANEL MOUNT</td><td>YES</td></tr> <tr><td>SOLDER POSTS</td><td>NO</td></tr> </table>  <table border="1"> <tr><td>PART NO.</td><td>PACKAGING</td></tr> <tr><td>91804-0415</td><td>TRAY</td></tr> <tr><td>91804-8415</td><td>TAPE AND REEL</td></tr> </table>	4X LATCH I/O		REAR MOUNTS	YES	PANEL MOUNT	YES	SOLDER POSTS	NO	PART NO.	PACKAGING	91804-0415	TRAY	91804-8415	TAPE AND REEL	<table border="1"> <tr><td colspan="2">4X LATCH I/O</td></tr> <tr><td>REAR MOUNTS</td><td>NO</td></tr> <tr><td>PANEL MOUNT</td><td>YES</td></tr> <tr><td>SOLDER POSTS</td><td>NO</td></tr> </table>  <table border="1"> <tr><td>PART NO.</td><td>PACKAGING</td></tr> <tr><td>91804-0417</td><td>TRAY</td></tr> <tr><td>91804-8417</td><td>TAPE AND REEL</td></tr> </table>	4X LATCH I/O		REAR MOUNTS	NO	PANEL MOUNT	YES	SOLDER POSTS	NO	PART NO.	PACKAGING	91804-0417	TRAY	91804-8417	TAPE AND REEL
4X LATCH I/O																																																											
REAR MOUNTS	NO																																																										
PANEL MOUNT	NO																																																										
SOLDER POSTS	NO																																																										
PART NO.	PACKAGING																																																										
91804-0411	TRAY																																																										
91804-8411	TAPE AND REEL																																																										
4X LATCH I/O																																																											
REAR MOUNTS	YES																																																										
PANEL MOUNT	NO																																																										
SOLDER POSTS	NO																																																										
PART NO.	PACKAGING																																																										
91804-0413	TRAY																																																										
91804-8413	TAPE AND REEL																																																										
4X LATCH I/O																																																											
REAR MOUNTS	YES																																																										
PANEL MOUNT	YES																																																										
SOLDER POSTS	NO																																																										
PART NO.	PACKAGING																																																										
91804-0415	TRAY																																																										
91804-8415	TAPE AND REEL																																																										
4X LATCH I/O																																																											
REAR MOUNTS	NO																																																										
PANEL MOUNT	YES																																																										
SOLDER POSTS	NO																																																										
PART NO.	PACKAGING																																																										
91804-0417	TRAY																																																										
91804-8417	TAPE AND REEL																																																										
<table border="1"> <tr><td colspan="2">4X LATCH I/O</td></tr> <tr><td>REAR MOUNTS</td><td>NO</td></tr> <tr><td>PANEL MOUNT</td><td>NO</td></tr> <tr><td>SOLDER POSTS</td><td>2</td></tr> </table>  <table border="1"> <tr><td>PART NO.</td><td>PACKAGING</td></tr> <tr><td>91804-0451</td><td>TRAY</td></tr> <tr><td>91804-8451</td><td>TAPE AND REEL</td></tr> </table>	4X LATCH I/O		REAR MOUNTS	NO	PANEL MOUNT	NO	SOLDER POSTS	2	PART NO.	PACKAGING	91804-0451	TRAY	91804-8451	TAPE AND REEL	<table border="1"> <tr><td colspan="2">4X LATCH I/O</td></tr> <tr><td>REAR MOUNTS</td><td>YES</td></tr> <tr><td>PANEL MOUNT</td><td>NO</td></tr> <tr><td>SOLDER POSTS</td><td>4</td></tr> </table>  <table border="1"> <tr><td>PART NO.</td><td>PACKAGING</td></tr> <tr><td>91804-0453</td><td>TRAY</td></tr> <tr><td>91804-8453</td><td>TAPE AND REEL</td></tr> </table>	4X LATCH I/O		REAR MOUNTS	YES	PANEL MOUNT	NO	SOLDER POSTS	4	PART NO.	PACKAGING	91804-0453	TRAY	91804-8453	TAPE AND REEL	<table border="1"> <tr><td colspan="2">4X LATCH I/O</td></tr> <tr><td>REAR MOUNTS</td><td>YES</td></tr> <tr><td>PANEL MOUNT</td><td>YES</td></tr> <tr><td>SOLDER POSTS</td><td>4</td></tr> </table>  <table border="1"> <tr><td>PART NO.</td><td>PACKAGING</td></tr> <tr><td>91804-0455</td><td>TRAY</td></tr> <tr><td>91804-8455</td><td>TAPE AND REEL</td></tr> </table>	4X LATCH I/O		REAR MOUNTS	YES	PANEL MOUNT	YES	SOLDER POSTS	4	PART NO.	PACKAGING	91804-0455	TRAY	91804-8455	TAPE AND REEL	<table border="1"> <tr><td colspan="2">4X LATCH I/O</td></tr> <tr><td>REAR MOUNTS</td><td>NO</td></tr> <tr><td>PANEL MOUNT</td><td>YES</td></tr> <tr><td>SOLDER POSTS</td><td>2</td></tr> </table>  <table border="1"> <tr><td>PART NO.</td><td>PACKAGING</td></tr> <tr><td>91804-0457</td><td>TRAY</td></tr> <tr><td>91804-8457</td><td>TAPE AND REEL</td></tr> </table>	4X LATCH I/O		REAR MOUNTS	NO	PANEL MOUNT	YES	SOLDER POSTS	2	PART NO.	PACKAGING	91804-0457	TRAY	91804-8457	TAPE AND REEL
4X LATCH I/O																																																											
REAR MOUNTS	NO																																																										
PANEL MOUNT	NO																																																										
SOLDER POSTS	2																																																										
PART NO.	PACKAGING																																																										
91804-0451	TRAY																																																										
91804-8451	TAPE AND REEL																																																										
4X LATCH I/O																																																											
REAR MOUNTS	YES																																																										
PANEL MOUNT	NO																																																										
SOLDER POSTS	4																																																										
PART NO.	PACKAGING																																																										
91804-0453	TRAY																																																										
91804-8453	TAPE AND REEL																																																										
4X LATCH I/O																																																											
REAR MOUNTS	YES																																																										
PANEL MOUNT	YES																																																										
SOLDER POSTS	4																																																										
PART NO.	PACKAGING																																																										
91804-0455	TRAY																																																										
91804-8455	TAPE AND REEL																																																										
4X LATCH I/O																																																											
REAR MOUNTS	NO																																																										
PANEL MOUNT	YES																																																										
SOLDER POSTS	2																																																										
PART NO.	PACKAGING																																																										
91804-0457	TRAY																																																										
91804-8457	TAPE AND REEL																																																										

NOTES:  
 1. REFER TO SHEET 1 FOR ALL UNSPECIFIED DIMENSIONS  
 2. REFER TO SHEET 2 FOR PCB LAYOUT  
 3. REFER TO SHEET 3 FOR RECOMMENDED ASSEMBLY COMPONENTS AND DIMENSIONS  
 4. FOR 12X PARTS PLEASE REFER TO SD-91825-004

SEE SHEET 1 SEC. NO. E2008-0458 2008/04/28 IT'DRINKALK/ERMAN 2008/05/02 CHK'D: APPROVED/GOLDFINE 2008/05/06 REV:	QUALITY SYMBOLS	$\nabla=0$ $\nabla=0$	GENERAL TOLERANCES (UNLESS SPECIFIED) <table border="1"> <tr><th></th><th>mm</th><th>INCH</th></tr> <tr><td>4 PLACES</td><td>± .---</td><td>± .---</td></tr> <tr><td>3 PLACES</td><td>± .---</td><td>± .---</td></tr> <tr><td>2 PLACES</td><td>± 0.1</td><td>± .---</td></tr> <tr><td>1 PLACE</td><td>± 0.2</td><td>± .---</td></tr> </table> ANGULAR ± 2°		mm	INCH	4 PLACES	± .---	± .---	3 PLACES	± .---	± .---	2 PLACES	± 0.1	± .---	1 PLACE	± 0.2	± .---	DIMENSION STYLE MM ONLY	SCALE 3:1	DESIGN UNITS METRIC	THIRD ANGLE PROJECTION
		mm	INCH																			
	4 PLACES	± .---	± .---																			
	3 PLACES	± .---	± .---																			
2 PLACES	± 0.1	± .---																				
1 PLACE	± 0.2	± .---																				
DRAWN BY SMC GREENY 09/03/05	DATE 09/03/05	CHECKED BY K DELANEY 09/03/05	DATE 09/03/05	TITLE LANELINK F CONN 4X LATCH VERSION WITH OPTIONAL EMI SHIELD & MTL GKT	REF. NO. MOLEX INCORPORATED	DOCUMENT NO. SD-91804-003																
DRAFT WHERE APPLICABLE MUST REMAIN WITHIN DIMENSIONS			SEE SHEET 4 & 5	THIS DRAWING CONTAINS INFORMATION THAT IS PROPRIETARY TO MOLEX INCORPORATED AND SHOULD NOT BE USED WITHOUT WRITTEN PERMISSION	SHEET NO. 4 OF 5																	
B:/frame_AT.P_AH.T Rev. D 2006/06/25																						

## SOLDER POST LENGTH OPTIONS

	NO SOLDER POSTS	TRAY	91804-0411	91804-0413	91804-0415	91804-0417
		TAPE & REEL	91804-8411	91804-8413	91804-8415	91804-8417

Dim H = 2.3	TRAY	91804-0451	91804-0453	91804-0455	91804-0457
	TAPE & REEL	91804-8451	91804-8453	91804-8455	91804-8457

Dim H = 3.3	TRAY	91804-0461	91804-0463	91804-0465	91804-0467
	TAPE & REEL	91804-8461	91804-8463	91804-8465	91804-8467

Dim H = 4.3	TRAY	91804-0491	91804-0493	91804-0495	91804-0497
	TAPE & REEL	91804-8491	91804-8493	91804-8495	91804-8497

SEE SHEET 1 EC NO. E2008-0458 2008/04/28 APPROVED BY: [Signature] 2008/05/02 CHECKED BY: [Signature] 2008/05/02 APPROVED BY: [Signature] 2008/05/02 CHECKED BY: [Signature]	QUALITY SYMBOLS 0 0	GENERAL TOLERANCES (UNLESS SPECIFIED) <table border="1"> <tr> <th></th> <th>mm</th> <th>INCH</th> </tr> <tr> <td>4 PLACES</td> <td>± 0.1</td> <td>± 0.004</td> </tr> <tr> <td>3 PLACES</td> <td>± 0.15</td> <td>± 0.006</td> </tr> <tr> <td>2 PLACES</td> <td>± 0.2</td> <td>± 0.008</td> </tr> <tr> <td>1 PLACE</td> <td>± 0.25</td> <td>± 0.010</td> </tr> </table> ANGULAR ± 2°		mm	INCH	4 PLACES	± 0.1	± 0.004	3 PLACES	± 0.15	± 0.006	2 PLACES	± 0.2	± 0.008	1 PLACE	± 0.25	± 0.010	DIMENSION STYLE MM ONLY	SCALE 3:1	DESIGN UNITS METRIC	THIRD ANGLE PROJECTION
		mm	INCH																		
4 PLACES	± 0.1	± 0.004																			
3 PLACES	± 0.15	± 0.006																			
2 PLACES	± 0.2	± 0.008																			
1 PLACE	± 0.25	± 0.010																			
DRAFT WHERE APPLICABLE MUST REMAIN WITHIN DIMENSIONS		DRAWN BY: SWC GREENEY 09/03/05 CHECKED BY: KDELANEY 09/03/05 APPROVED BY: J WALLACE 09/03/05		TITLE: LANELINK F CONN 4X LATCH VERSION WITH OPTIONAL EMI SHIELD & MTL GKT MOLEX INCORPORATED		SHEET NO. 5 OF 5															