

## Excellent Integrated System Limited

Stocking Distributor

Click to view price, real time Inventory, Delivery & Lifecycle Information:

[Molex Connector Corporation](#)  
[95002-2883](#)

For any questions, you can email us directly:  
[sales@integrated-circuit.com](mailto:sales@integrated-circuit.com)

10 9 8 7 6 5 4 3 2 1

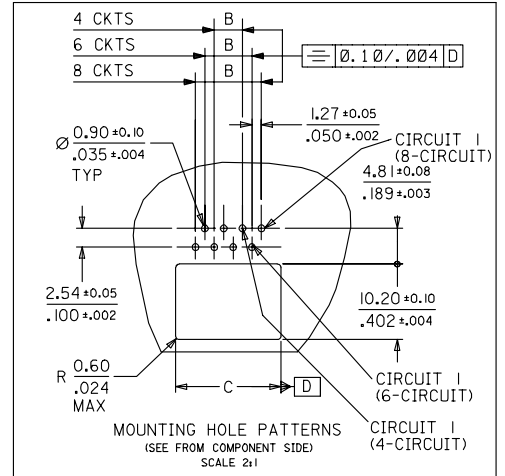
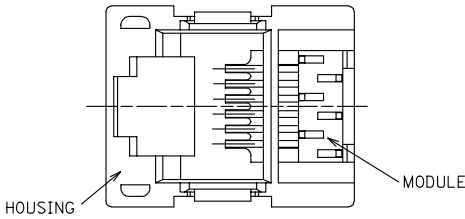
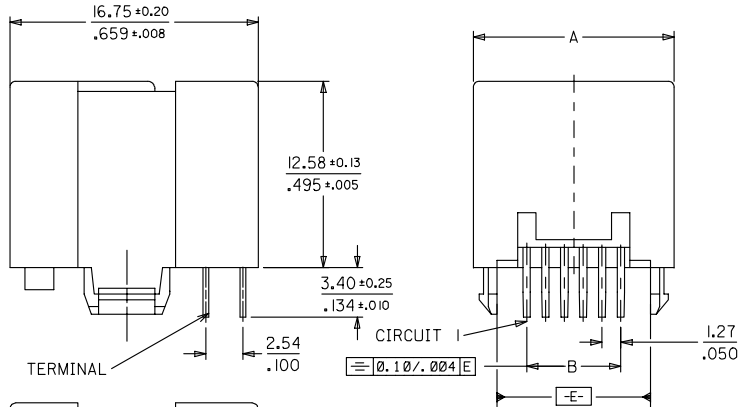
**NOTES :**

**1- MATERIAL:**

- HOUSING AND MODULE: POLYAMIDE FIBER GLASS FILLED UL 94-V0 COLOR BLACK.
- TERMINAL: PHOSPHOR BRONZE .

**PLATING:**

- POST PLATE 0.00127-0.00152/.000050-.000060 GOLD IN CONTACT AREA.
- 0.00190/.000075 MIN PURE TIN IN TAIL AREA BOTH OVER 0.00127/.000050 MIN NICKEL OVERALL.
- 2- JACK FOR MATING WITH FCC 68 PLUGS 90075 MOLEX SERIES.
- 3- PCB THICKNESS : 1.57 / .062
- 4- PRODUCT SPECIFICATION PS-95002-003
- 5- APPLICATION SPECIFICATION AS-95001.
- 6- PACKAGING SPECIFICATION PK-95002



P/N	HOUSING SIZE	CKTS.	DIM.		
			A ± 0.13	B $\begin{matrix} +0.05 \\ -0.10 \\ +.002 \\ -.004 \end{matrix}$	C ± 0.08 ± 0.003
95002-2443	POS 4	4 CKTS	11.50 .453	3.81 .150	10.20 .402
95002-2643	POS 6	4 CKTS	13.55 .533	3.81 .150	12.20 .480
95002-2663	POS 6	6 CKTS	13.55 .533	6.35 .250	12.20 .480
95002-2883	POS 8	8 CKTS	15.55 .612	8.89 .350	14.20 .559

ENTER DESCRIPTION EC NO: MG2005-0107 DRAWN BY: 2004/09/22 CHKD: CARABET 2004/09/22 APPR: KNOLLER 2004/09/24	QUALITY SYMBOLS ▽=0 ▽=0	GENERAL TOLERANCES (UNLESS SPECIFIED)		DIMENSION STYLE MM/IN		SCALE 4:1	DESIGN UNITS METRIC	THIRD ANGLE PROJECTION	
		4 PLACES ± --- ± ---	mm	INCH	DRAWN BY ER	DATE 99/02/24	TITLE BOTTOM ENTRY LOW PROFILE MODULAR JACK (THROUGH HOLE VERSION) MOLEX INCORPORATED MATERIAL NO. SEE CHART DOCUMENT NO. SD-95002-001 SHEET NO. 1 OF 1		
		3 PLACES ± --- ± .006			CHECKED BY MFAS	DATE 99/02/24			
		2 PLACES ± 0.15 ± .010			APPROVED BY FB	DATE 99/02/24			
1 PLACE ± 0.25 ± ---									
ANGULAR ± .5 °		DRAFT WHERE APPLICABLE MUST REMAIN WITHIN DIMENSIONS		SIZE A3		THIS DRAWING CONTAINS INFORMATION THAT IS PROPRIETARY TO MOLEX INCORPORATED AND SHOULD NOT BE USED WITHOUT WRITTEN PERMISSION			

9 8 7 6 5 4 3 2 1