



**Distributor of Eaton (formerly Cooper Bussmann) : Excellent Integrated System Limited**  
Datasheet of NC3-WH - Connector Barrier Block Strip 3 Circuit 1.060" (26.92mm)

Contact us: [sales@integrated-circuit.com](mailto:sales@integrated-circuit.com) Website: [www.integrated-circuit.com](http://www.integrated-circuit.com)

---

## **Excellent Integrated System Limited**

Stocking Distributor

Click to view price, real time Inventory, Delivery & Lifecycle Information:

[Eaton \(formerly Cooper Bussmann\)](#)  
[NC3-WH](#)

For any questions, you can email us directly:

[sales@integrated-circuit.com](mailto:sales@integrated-circuit.com)

**Rail & Base Mount Terminal Blocks**

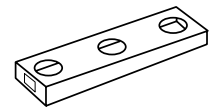
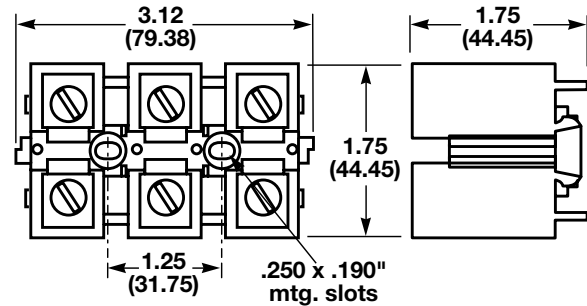
**MAGNUM**<sup>®</sup>  
GET CONNECTED WITH US

**NC3**

Inches (Millimeters)

**SPECIFICATIONS**

- Rating:** 175A, 600V; UL/CSA
- Center spacing:** 1.06" (26.92)
- Number of poles:** 3
- Circuits per foot:** 11
- Wire size:** 2/0-#14 CU/AL
- Screw size:** 5/16-24
- Mounting options:** C-rail,  
Base Mount
- Marking tape:** MT12-1/2
- Torque rating:** 45 in/lb max.
- Operating temperature:** 105°C



Optional LS3 Terminal Cover