

Excellent Integrated System Limited

Stocking Distributor

Click to view price, real time Inventory, Delivery & Lifecycle Information:

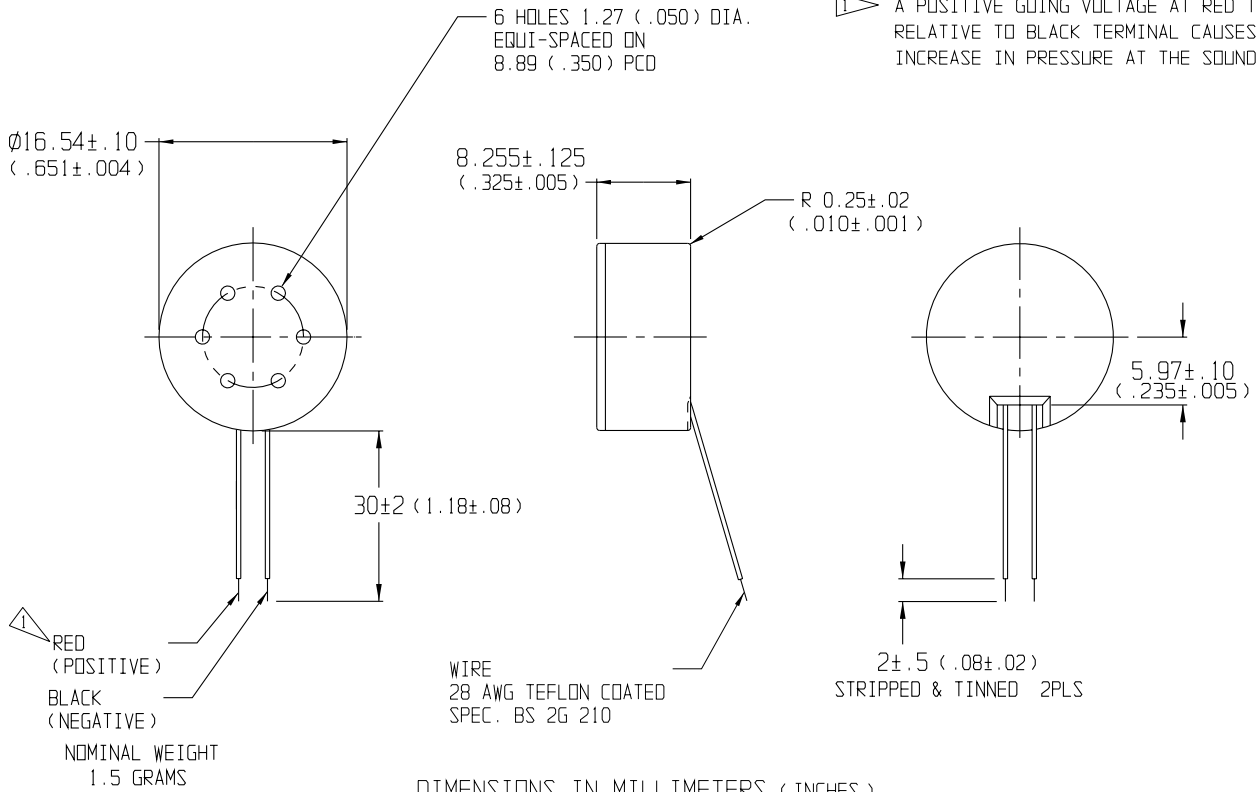
[Knowles](#)
[CM-23299-000](#)

For any questions, you can email us directly:
sales@integrated-circuit.com

CM-23299-000
SHT 1.1

NOTE:

▶ A POSITIVE GOING VOLTAGE AT RED TERMINAL
RELATIVE TO BLACK TERMINAL CAUSES AN
INCREASE IN PRESSURE AT THE SOUND OUTLETS.



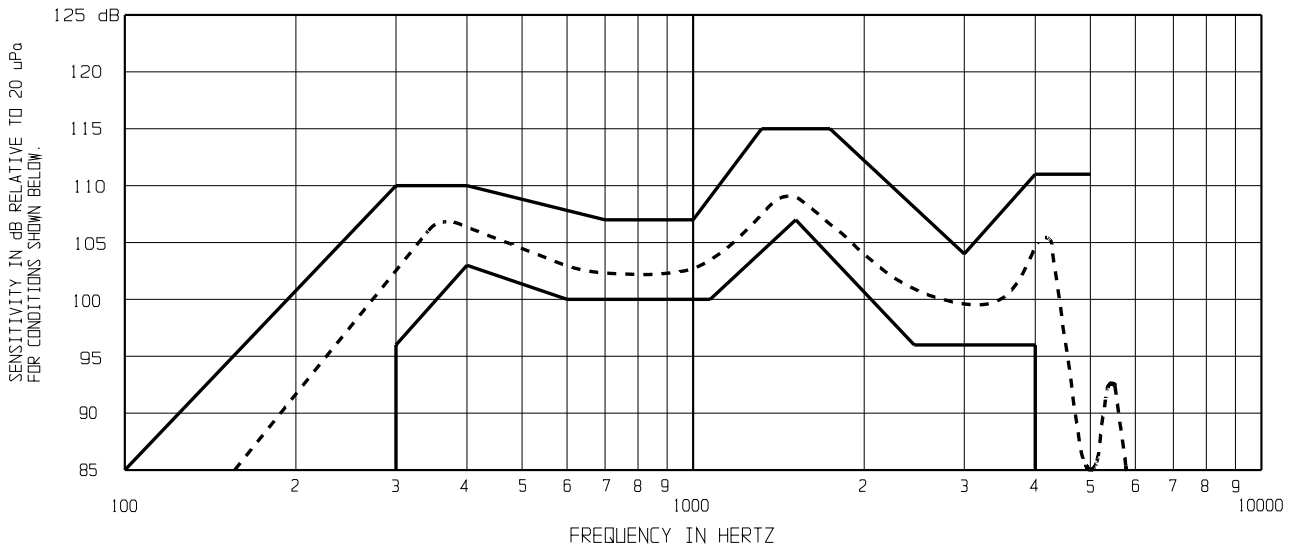
ISSUE
B

KNOWLES ELECTRONICS

KNOWLES ELECTRONICS, INC., ITASCA, ILLINOIS U.S.A.
 KNOWLES ELECTRONICS, CO., BURGESS HILL, SUSSEX, ENGLAND

SCALE:	2:1	DR. BY	DATE
DO NOT SCALE DRAWING		AB	1-4-06
TITLE: EARPIECE OUTLINE DRAWING		CM-23299-000	CK. BY
		SHT 1.1	DATE
		GJP	1-8-06
		APP. BY	DATE
		GJP	1-8-06

CM-23299-000
SHT 2.1



NOTES:

1. MEASUREMENTS MADE WITH UNIT UNDER TEST, SEALED TO AN IEC 318 COUPLER (BRUEL & KJAER PART No. 4153).
2. ELECTRICAL SIGNAL (SEE # 6 BELOW)
3. SENSITIVITY SENSITIVITY Contd)

FREQUENCY	MIN.	MAX.	FREQUENCY	MIN.	MAX.
100	---	85.0	1400	---	115.0
300	96.0	110.0	1600	107.0	---
400	103.0	110.0	1800	---	115.0
600	100.0	---	2500	96.0	---
700	---	107.0	3000	---	104.0
1000	---	107.0	4000	96.0	111.0
1100	100.0	---	5000	---	111.0

4. THERE WILL BE NO BUZZ OR RATTLE WHEN DRIVEN AT MAXIMUM DRIVE (SEE # 6 BELOW) & SWEPT FROM 300 Hz TO 4 KHz.
5. RESPONSE AND DISTORTION MEASUREMENTS MADE USING ELECTRICAL CONDITIONS SHOWN BELOW.
6. INDIVIDUAL SPECIFICATIONS.

STD DRIVE		DISTORTION		1 kHz IMP.(±15%)	D.C. RES @ 20°C (±10%)	MAX DRIVE	
VAC RMS	RS OHMS	MAX. %	FREQ Hz			VAC RMS	RS OHMS
0.20	300	2	300	150	69	1.0	300

7. TEST CONDITIONS.

