

Excellent Integrated System Limited

Stocking Distributor

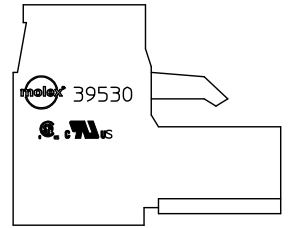
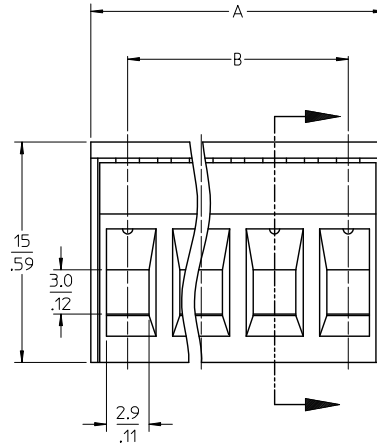
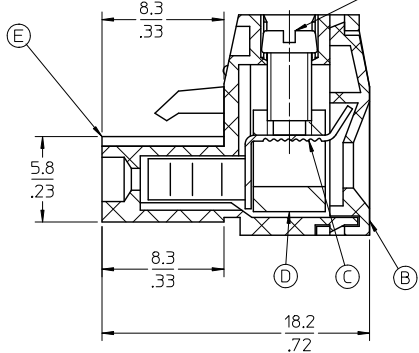
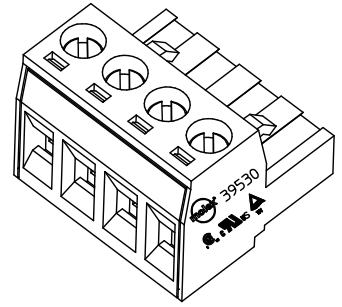
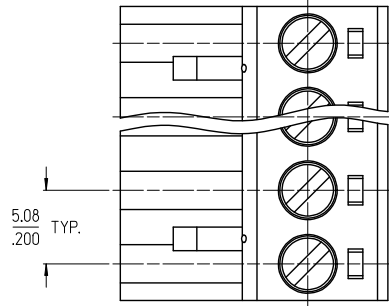
Click to view price, real time Inventory, Delivery & Lifecycle Information:

[Molex Connector Corporation](#)
[0395300004](#)

For any questions, you can email us directly:

sales@integrated-circuit.com

10 9 8 7 6 5 4 3 2 39530



SPECIFICATIONS:

1. MATERIAL:

- (A). SCREW: M3, STEEL, ZINC PLATED
- (B). COVER: NYLON
- (C). TERMINAL MATERIAL: CU ALLOY
- TERMINAL FINISH:
 - a. TIN/NICKEL
 - b. GOLD/NICKEL
- (D). CAGE: BRASS, NICKEL PLATED
- (E). BODY: NYLON

2. WIRE RANGE: 12 - 30 AWG

3. ELECTRICAL RATING: 300V, 15A

4. WIRE STRIP LENGTH: 5.0mm

5. OPERATING TEMPERATURE: -40°C TO +115°C

6. MAX TORQUE: 5 In-Lbs.

7. NUMBER OF POSITIONS AVAILABLE = 2 THROUGH 24

8. PRODUCT SPEC: PS-39500-001

9. ASSEMBLY IS ROHS COMPLIANT

REVISED NOTES EC NO: PG2014-0372 DRAWN BY: DRWINSTONE CHKD: JPMURPHY APPR: JPMURPHY 2013/08/16 2013/11/23	QUALITY SYMBOLS	GENERAL TOLERANCES (UNLESS SPECIFIED) mm INCH 4 PLACES ± --- ± .0015 3 PLACES ± 0.038 ± .005 2 PLACES ± 0.13 ± .01 1 PLACE ± 0.3 ± --- ANGULAR ± 2° DRAFT WHERE APPLICABLE MUST REMAIN WITHIN DIMENSIONS	DIMENSION STYLE	SCALE	DESIGN UNITS	THIRD ANGLE PROJECTION	
	DESCRIPTION		MM/IN	INCH	INCH	INCH	INCH
	DATE		DATE	DATE	DATE	DATE	DATE
	REV		REV	REV	REV	REV	REV
DRAWN BY: LROTHAUS CHECKED BY: C. YORK APPROVED BY: J. PAWLICKI MATERIAL NO. SEE SHT. 2 SIZE B		DATE: 12/16/05 DATE: 01/04/06 DATE: 01/10/06		TITLE: 5.08MM, EURO PLUG, RIGHT ANGLE MOLEX INCORPORATED DOCUMENT NO. SD-39530-001 SHEET NO. 1 OF 2		THIS DRAWING CONTAINS INFORMATION THAT IS PROPRIETARY TO MOLEX INCORPORATED AND SHOULD NOT BE USED WITHOUT WRITTEN PERMISSION	

9 8 7 6 5 4 3 2 1

10 9 8 7 6 5 4 3 2 39530

Description	Circuit size	Material Numbers												Dimensional Information			
		Black						Green						Dim. A		Dim B	
		100% Tin			30 u" Gold			100% Tin			30 u" Gold						
		Printing Options			Printing Options			Printing Options			Printing Options						
None	10A	11A	None	10A	11A	None	10A	11A	None	10A	11A	mm	inch	mm	inch		
5.08mm, Euro Plug, Right Angle	2	39530002	39530102	39530202	39530602	39530702	39530502	39530502	39530502	39530502	39530502	39530502	10.16	0.400	5.08	0.200	
5.08mm, Euro Plug, Right Angle	3	39530003	39530103	39530203	39530603	39530703	39530503	39530503	39530503	39530503	39530503	39530503	15.24	0.600	10.16	0.400	
5.08mm, Euro Plug, Right Angle	4	39530004	39530104	39530204	39530604	39530704	39530504	39530504	39530504	39530504	39530504	39530504	20.32	0.800	15.24	0.600	
5.08mm, Euro Plug, Right Angle	5	39530005	39530105	39530205	39530605	39530705	39530505	39530505	39530505	39530505	39530505	39530505	25.40	1.000	20.32	0.800	
5.08mm, Euro Plug, Right Angle	6	39530006	39530106	39530206	39530606	39530706	39530506	39530506	39530506	39530506	39530506	39530506	30.48	1.200	25.40	1.000	
5.08mm, Euro Plug, Right Angle	7	39530007	39530107	39530207	39530607	39530707	39530507	39530507	39530507	39530507	39530507	39530507	35.56	1.400	30.48	1.200	
5.08mm, Euro Plug, Right Angle	8	39530008	39530108	39530208	39530608	39530708	39530508	39530508	39530508	39530508	39530508	39530508	40.64	1.600	35.56	1.400	
5.08mm, Euro Plug, Right Angle	9	39530009	39530109	39530209	39530609	39530709	39530509	39530509	39530509	39530509	39530509	39530509	45.72	1.800	40.64	1.600	
5.08mm, Euro Plug, Right Angle	10	39530010	39530110	39530210	39530610	39530710	39530510	39530510	39530510	39530510	39530510	39530510	50.80	2.000	45.72	1.800	
5.08mm, Euro Plug, Right Angle	11	39530011	39530111	39530211	39530611	39530711	39530511	39530511	39530511	39530511	39530511	39530511	55.88	2.200	50.80	2.000	
5.08mm, Euro Plug, Right Angle	12	39530012	39530112	39530212	39530612	39530712	39530512	39530512	39530512	39530512	39530512	39530512	60.96	2.400	55.88	2.200	
5.08mm, Euro Plug, Right Angle	13	39530013	39530113	39530213	39530613	39530713	39530513	39530513	39530513	39530513	39530513	39530513	66.04	2.600	60.96	2.400	
5.08mm, Euro Plug, Right Angle	14	39530014	39530114	39530214	39530614	39530714	39530514	39530514	39530514	39530514	39530514	39530514	71.12	2.800	66.04	2.600	
5.08mm, Euro Plug, Right Angle	15	39530015	39530115	39530215	39530615	39530715	39530515	39530515	39530515	39530515	39530515	39530515	76.20	3.000	71.12	2.800	
5.08mm, Euro Plug, Right Angle	16	39530016	39530116	39530216	39530616	39530716	39530516	39530516	39530516	39530516	39530516	39530516	81.28	3.200	76.20	3.000	
5.08mm, Euro Plug, Right Angle	17	39530017	39530117	39530217	39530617	39530717	39530517	39530517	39530517	39530517	39530517	39530517	86.36	3.400	81.28	3.200	
5.08mm, Euro Plug, Right Angle	18	39530018	39530118	39530218	39530618	39530718	39530518	39530518	39530518	39530518	39530518	39530518	91.44	3.600	86.36	3.400	
5.08mm, Euro Plug, Right Angle	19	39530019	39530119	39530219	39530619	39530719	39530519	39530519	39530519	39530519	39530519	39530519	96.52	3.800	91.44	3.600	
5.08mm, Euro Plug, Right Angle	20	39530020	39530120	39530220	39530620	39530720	39530520	39530520	39530520	39530520	39530520	39530520	101.60	4.000	96.52	3.800	
5.08mm, Euro Plug, Right Angle	21	39530021	39530121	39530221	39530621	39530721	39530521	39530521	39530521	39530521	39530521	39530521	106.68	4.200	101.60	4.000	
5.08mm, Euro Plug, Right Angle	22	39530022	39530122	39530222	39530622	39530722	39530522	39530522	39530522	39530522	39530522	39530522	111.76	4.400	106.68	4.200	
5.08mm, Euro Plug, Right Angle	23	39530023	39530123	39530223	39530623	39530723	39530523	39530523	39530523	39530523	39530523	39530523	116.84	4.600	111.76	4.400	
5.08mm, Euro Plug, Right Angle	24	39530024	39530124	39530224	39530624	39530724	39530524	39530524	39530524	39530524	39530524	39530524	121.92	4.800	116.84	4.600	

SEE SHEET 1 EC NO: EIC2007-044 DRAWN BY: YORP 2007/05/24 CHECKED: JIMCNEIL 2007/05/24 APPR: JIMCNEIL 2007/05/24	QUALITY SYMBOLS ▽=0 ▽=0	GENERAL TOLERANCES (UNLESS SPECIFIED)		DIMENSION STYLE MM/IN		SCALE 4:1	DESIGN UNITS INCH	THIRD ANGLE PROJECTION		
		4 PLACES ± --- ± .0015	3 PLACES ± 0.038 ± .005	2 PLACES ± 0.13 ± .01	1 PLACE ± 0.3 ± ---	DRAWN BY LROTHAUS	DATE 12/6/05	TITLE 5.08MM, EURO PLUG, RIGHT ANGLE		
		ANGULAR ± 2°				CHECKED BY C. YORK	DATE 01/04/06	MOLEX INCORPORATED		
		DRAFT WHERE APPLICABLE MUST REMAIN WITHIN DIMENSIONS				APPROVED BY J. PAWLICKI	DATE 01/10/06	MATERIAL NO. SEE CHART	DOCUMENT NO. SD-39530-001	SHEET NO. 2 OF 2

9 8 7 6 5 4 3 2 1