

Excellent Integrated System Limited

Stocking Distributor

Click to view price, real time Inventory, Delivery & Lifecycle Information:

[IXYS Corporation](#)
[UGB3132AD](#)

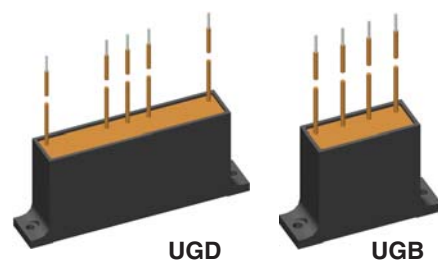
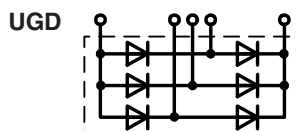
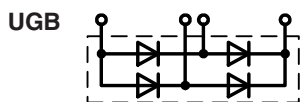
For any questions, you can email us directly:
sales@integrated-circuit.com

IXYS **UGB ... UGD...**

1~ / 3~ High Voltage Rectifiers

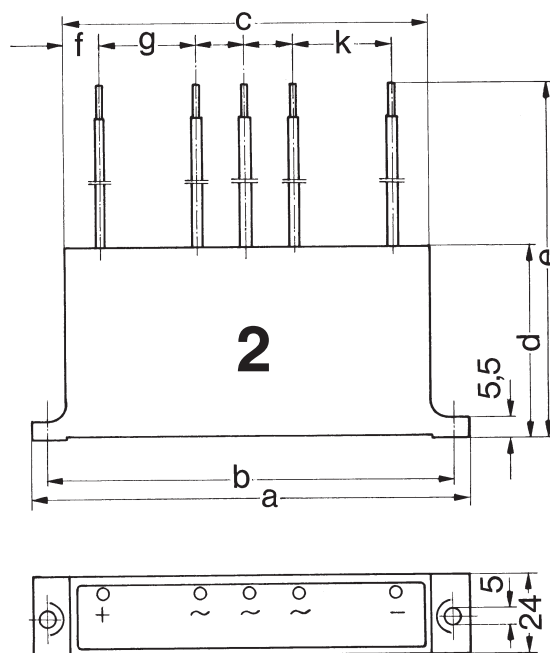
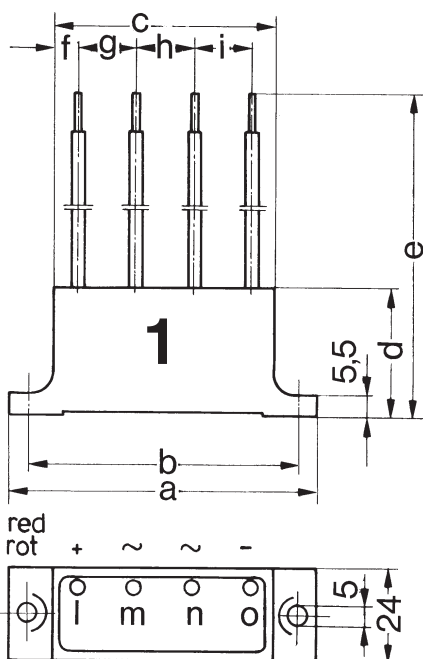
$V_{RRM} = 4800-10500\text{ V}$

$I_{F(AV)M} = 1.0-1.8\text{ A}$



Type	V_{RRM} V	$V_{V(RMS)}$ V	$I_{F(AV)M}$ A	I_{FSM} 45°C 10 ms A	$T_{(vj)m}$ °C	Weight g	Dimensions Fig.
UGB 3132 AD	4800	2250	1.3	60	150	150	1
UGB 6124 AG	10500	5000	1.0	50	150	300	2
UGD 6123 AG	7200	3300	1.8	50	150	300	2
UGD 8124 AG	10500	5000	1.2	50	150	300	2

Dimensions in mm (1 mm = 0.0394")



Type	a	b	c	d	e	f	g	h	i	k
UGB 3132 AD	80	70	57	58.5	260	6	15	15	15	
UGB 6124 AG	135	125	112	58.5	260	11	32.5	25	32.5	
UGD 6123 AG	135	125	112	58.5	260	8	30	18	18	30
UGD 8124 AG	135	125	112	58.5	260	8	30	18	18	30