

Excellent Integrated System Limited

Stocking Distributor

Click to view price, real time Inventory, Delivery & Lifecycle Information:

[STMicroelectronics](#)

[ST600K](#)

For any questions, you can email us directly:

sales@integrated-circuit.com



ST600K

LOW VOLTAGE NPN POWER TRANSISTOR

PRELIMINARY DATA

Features

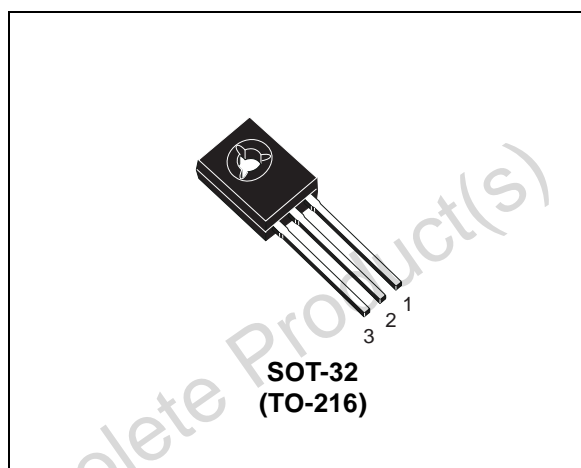
- LOW SATURATION VOLTAGE

Applications

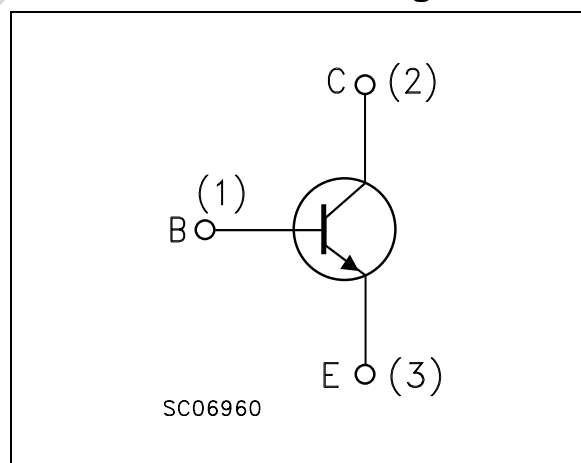
- SCANNING VELOCITY MODULATION IN CRT DISPLAYS
- MEDIUM POWER LINEAR AND SWITCHING APPLICATIONS

Description

The ST600K is manufactured by low voltage Epitaxial Base technology and it is housed in SOT-32 plastic package. The complementary PNP type is ST631K.



Internal Schematic Diagram



Order Codes

Part Number	Marking	Package	Packing
ST600K	600K	SOT-32	TUBE

1 Absolute Maximum Ratings

Table 1. Absolute Maximum Rating

Symbol	Parameter	Value	Unit
V_{CBO}	Collector-Base Voltage ($I_E = 0$)	120	V
V_{CEO}	Collector-Emitter Voltage ($I_B = 0$)	120	V
V_{EBO}	Collector-Base Voltage ($I_C = 0$)	5	V
I_C	Collector Current	1	A
I_{CM}	Collector Peak Current ($t_p < 5ms$)	2	A
I_B	Base Current	0.5	A
I_{BM}	Base Peak Current ($t_p < 5ms$)	1	A
P_{TOT}	Total dissipation at $T_C = 25^\circ C$	12.5	W
T_{STG}	Storage Temperature	-65 to 150	$^\circ C$
T_J	Max. Operating Junction Temperature	150	$^\circ C$

Table 2. Thermal Data

Symbol	Parameter	Value	Unit
$R_{thJ-case}$	Thermal Resistance Junction-Case Max	10	$^\circ C/W$
$R_{thJ-amb}$	Thermal Resistance Junction-Case Max	100	$^\circ C/W$

ST600K

2 Electrical Characteristics

2 Electrical Characteristics

Table 3. Electrical Characteristics ($T_{CASE} = 25^{\circ}C$; unless otherwise specified)

Symbol	Parameter	Test Conditions	Min.	Typ.	Max.	Unit
I_{CBO}	Collector Cut-off Current ($I_E = 0$)	$V_{CB} = 50V$			1	μA
I_{EBO}	Emitter Cut-off Current ($I_C = 0$)	$V_{EB} = 4V$			1	μA
$V_{(BR)CBO}$ <i>Note: 1</i>	Collector-Base Breakdown Voltage ($I_E = 0$)	$I_C = 10\mu A$	120			V
$V_{(BR)CEO}$ <i>Note: 1</i>	Collector-Emitter Breakdown Voltage ($I_C = 0$)	$I_E = 1\text{ mA}$	120		1	V
$V_{(BR)EBO}$ <i>Note: 1</i>	Collector-Emitter Breakdown Voltage ($I_B = 0$)	$I_C = 10\text{ mA}$	120		1	V
$V_{CE(sat)}$ <i>Note: 1</i>	Collector-Emitter Saturation Voltage	$I_C = 500\text{ mA}$ $I_B = 50\text{ mA}$			0.5	V
$V_{BE(sat)}$ <i>Note: 1</i>	Base-Emitter Saturation Voltage	$I_C = 500\text{ mA}$ $I_B = 50\text{ mA}$			1.2	V
h_{FE} <i>Note: 1</i>	DC Current Gain	$I_C = 100\text{ mA}$ $V_{CE} = 5\text{ V}$ $I_C = 500\text{ mA}$ $V_{CE} = 5\text{ V}$	120 50		280	
C_{CBO}	Collector-Base Capacitance ($I_B = 0$)	$V_{CB} = 10\text{ V}$ $f = 1\text{ MHz}$		40		pF
t_{on} t_{off} t_s	INDUCTIVE LOAD Turn-On Time Turn-Off Time Storage Time	$I_C = 500\text{ mA}$ $V_{CC} = 12V$ $I_{B1} = -I_{B2} = 50\text{ mA}$ $t_p = 20\mu s$		100 500 800		ns ns ns

Note: 1 Pulsed duration = 300 μs , duty cycle $\leq 1.5\%$.

3 Package Mechanical Data

In order to meet environmental requirements, ST offers these devices in ECOPACK® packages. These packages have a Lead-free second level interconnect . The category of second level interconnect is marked on the package and on the inner box label, in compliance with JEDEC Standard JESD97. The maximum ratings related to soldering conditions are also marked on the inner box label. ECOPACK is an ST trademark. ECOPACK specifications are available at: www.st.com

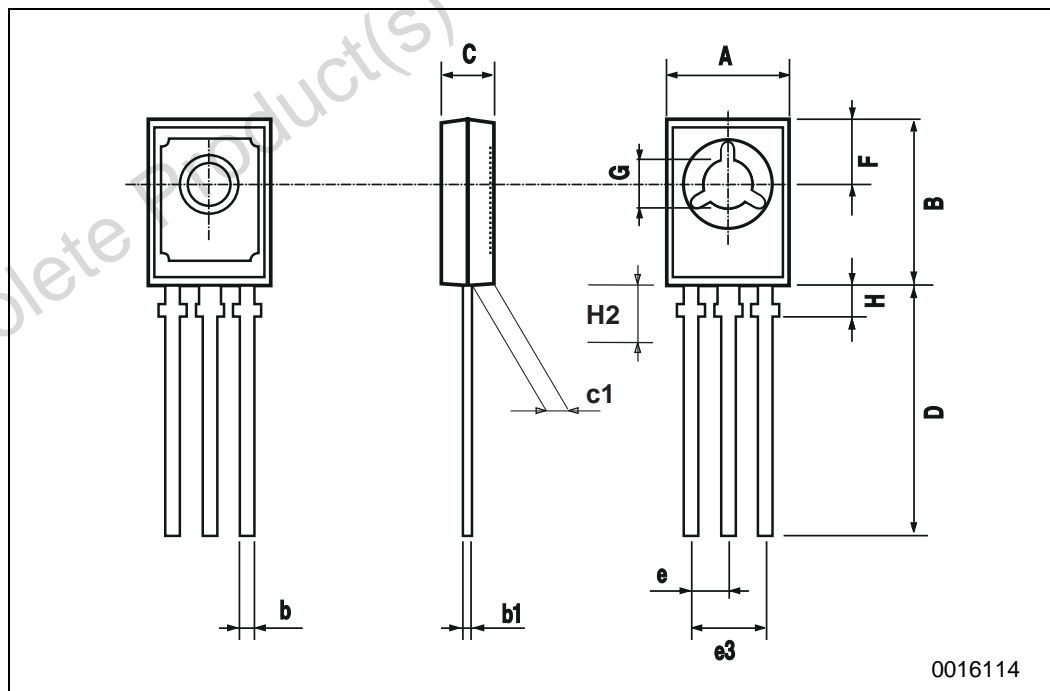
Obsolete Product(s) - Obsolete Product(s)

ST600K

3 Package Mechanical Data

SOT-32 (TO-126) MECHANICAL DATA

DIM.	mm			inch		
	MIN.	TYP.	MAX.	MIN.	TYP.	MAX.
A	7.4		7.8	0.291		0.307
B	10.5		10.8	0.413		0.445
b	0.7		0.9	0.028		0.035
b1	0.49		0.75	0.019		0.030
C	2.4		2.7	0.040		0.106
c1	1.0		1.3	0.039		0.050
D	15.4		16.0	0.606		0.629
e		2.2			0.087	
e3	4.15		4.65	0.163		0.183
F		3.8			0.150	
G	3		3.2	0.118		0.126
H			2.54			0.100
H2		2.15			0.084	



4 Revision History

Date	Revision	Changes
26-Jul-2005	1	Initial release.

Obsolete Product(s) - Obsolete Product(s)

ST600K

4 Revision History

Information furnished is believed to be accurate and reliable. However, STMicroelectronics assumes no responsibility for the consequences of use of such information nor for any infringement of patents or other rights of third parties which may result from its use. No license is granted by implication or otherwise under any patent or patent rights of STMicroelectronics. Specifications mentioned in this publication are subject to change without notice. This publication supersedes and replaces all information previously supplied. STMicroelectronics products are not authorized for use as critical components in life support devices or systems without express written approval of STMicroelectronics.

The ST logo is a registered trademark of STMicroelectronics.
All other names are the property of their respective owners

© 2005 STMicroelectronics - All rights reserved

STMicroelectronics group of companies

Australia - Belgium - Brazil - Canada - China - Czech Republic - Finland - France - Germany - Hong Kong - India - Israel - Italy - Japan - Malaysia - Malta - Morocco - Singapore - Spain - Sweden - Switzerland - United Kingdom - United States of America

www.st.com