

Excellent Integrated System Limited

Stocking Distributor

Click to view price, real time Inventory, Delivery & Lifecycle Information:

[Honeywell Sensing and Productivity Solutions](#)
[V3L-1229](#)

For any questions, you can email us directly:

sales@integrated-circuit.com



MICRO SWITCH
 FREEPORT, ILLINOIS, U.S.A.
 A DIVISION OF HONEYWELL
 FED. MFG. CODE 91929

SWITCH - BASIC

CATALOG LISTING
V3L-1229
 CQ-P0296

V3L-1229

PAGE 1 OF 1

REPLACES
 RELEASE NO. PR-5389

M

DRAWING NUMBER

ISSUE
 X 7
 X 8
 X 8

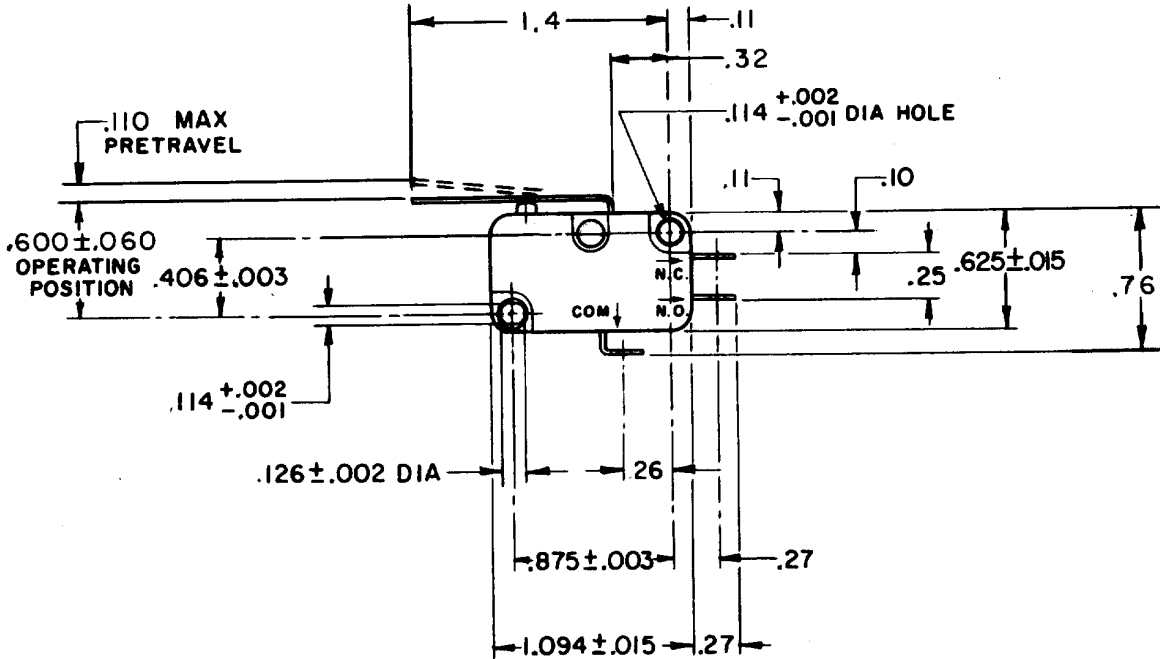
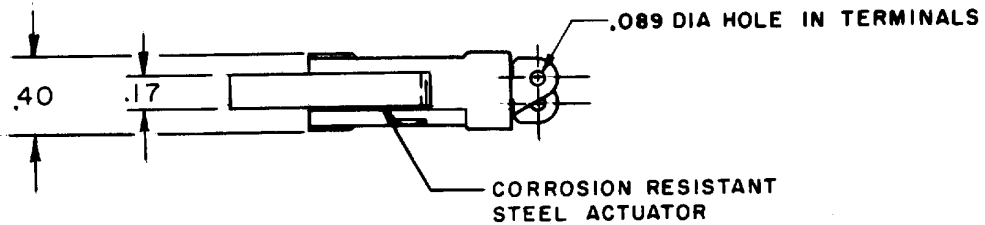
REVISIONS

A	CO24699	M B S	30 JUL 69	126 MAR 68
B	CO26661	S R H	30 DEC 69	
C	CO26861	M B S	22 JAN 70	GCH
D	PR 5389	C J H	19 NOV 75	
E	CO-76302	J A L	30 NOV 93	26 MAR 68
F	CO-84847	TSM	9 JUL 98	

FO-30376

DRAWN
 M B S 25 MAR 68

CHECK
 GCH
 L S D
 26 MAR 68



THIS DRAWING COVERS A PROPRIETARY ITEM AND IS THE PROPERTY OF MICRO SWITCH, A DIVISION OF MINNEAPOLIS-HONEYWELL REGULATOR CO. THIS DRAWING IS NOT TO BE COPIED OR USED WITHOUT THE APPROVAL OF MICRO SWITCH.

CHARACTERISTICS	ELECTRICAL DATA	SCALE FULL
OPERATING FORCE --- 35 GRAM MAX	CONTACT ARRANGEMENT S P D T	DO NOT SCALE PRINT
RELEASE FORCE --- 4 GRAM MIN	-L112- 10A - 1/3HP - 125 OR 250 VAC 1/2A - 125 VDC; 1/4A - 250 VDC 4A - 125 VAC "L"	UNLESS OTHERWISE NOTED DIMENSIONS ARE IN INCHES
DIFFERENTIAL TRAVEL --- .030 MAX		TOLERANCES ARE:
OVERTRAVEL --- .090 MIN		ONE PLACE (.0) ± .030 TWO PLACE (.00) ± .015 THREE PLACE (.000) ± .005 ANGLES ±
RELEASE TRAVEL --- .017 MIN		WEIGHT