



Excellent Integrated System Limited

Stocking Distributor

Click to view price, real time Inventory, Delivery & Lifecycle Information:

[Texas Instruments](#)
[TPS77401MDGKREP](#)

For any questions, you can email us directly:

sales@integrated-circuit.com

FEATURES

- **Controlled Baseline**
 - One Assembly
 - One Test Site
 - One Fabrication Site
- **Extended Temperature Performance of –55°C to 125°C**
- **Enhanced Diminishing Manufacturing Sources (DMS) Support**
- **Enhanced Product-Change Notification**
- **Qualification Pedigree ⁽¹⁾**
- **Open-Drain Power-Good (PG) Status Output**
- **Available in 1.5-V, 1.8-V, 2.7-V, 2.8-V, 3.3-V, 5-V Fixed-Output and Adjustable Versions**
- **Dropout Voltage Typically 200 mV at 250 mA**
- **Ultralow 92- μ A Quiescent Current (Typ)**
- **8-Pin MSOP (DGK) Package**
- **Low Noise (55 μ V_{rms}) Without an External Filter (Bypass) Capacitor**
- **2% Tolerance Over Specified Conditions For Fixed-Output Versions**
- **Fast Transient Response**
- **Thermal Shutdown Protection**
- **See the TPS779xx Family of Devices for Active-High Enable**

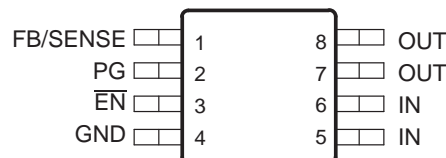
(1) Component qualification in accordance with JEDEC and industry standards to ensure reliable operation over an extended temperature range. This includes, but is not limited to, Highly Accelerated Stress Test (HAST) or biased 85/85, temperature cycle, autoclave or unbiased HAST, electromigration, bond intermetallic life, and mold compound life. Such qualification testing should not be viewed as justifying use of this component beyond specified performance and environmental limits.

DESCRIPTION

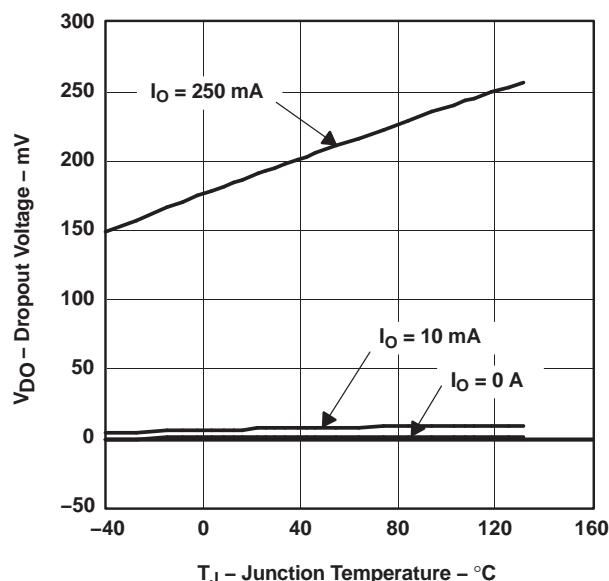
The TPS77401 is a low-dropout (LDO) regulator with power good (PG) function. This device is capable of supplying 250 mA of output current with a dropout of 200 mV. Quiescent current is 92 μ A at full load dropping down to 1 μ A when device is disabled. This device is optimized to be stable with a wide range of output capacitors including low-ESR ceramic (10- μ F) or low-capacitance (1 μ F) tantalum capacitors. This device has extremely low noise output performance (55 μ V_{rms}) without using any added filter capacitors. The TPS77401 is designed to have fast transient response for larger load current changes.

The TPS77401 is offered in 1.5-V, 1.8-V, 2.7-V, 2.8-V, 3.3-V, and 5-V fixed-voltage versions and in an adjustable version (programmable over the range of 1.5 V to 5.5 V). Output voltage tolerance is 2% over line, load, and temperature ranges. The TPS77401 device is available in an 8-pin mini small-outline package (MSOP) (DGK).

DGK PACKAGE
(TOP VIEW)



DROPOUT VOLTAGE
vs
JUNCTION TEMPERATURE



Please be aware that an important notice concerning availability, standard warranty, and use in critical applications of Texas Instruments semiconductor products and disclaimers thereto appears at the end of this data sheet.

TPS77401-EP
250-mA LDO VOLTAGE REGULATOR
WITH POWER-GOOD OUTPUT

SLVS702–OCTOBER 2006



DESCRIPTION (CONTINUED)

Because the PMOS device behaves as a low-value resistor, the dropout voltage is very low (typically 200 mV at an output current of 250 mA for 3.3-V option) and is directly proportional to the output current. Additionally, since the PMOS pass element is a voltage-driven device, the quiescent current is very low and independent of output loading (typically 92 μ A over the full range of output current, 0 mA to 250 mA). These two key specifications yield a significant improvement in operating life for battery-powered systems.

The device is enabled when the enable (\overline{EN}) pin is connected to a low-level input voltage. This LDO family also features a sleep mode; applying a TTL high signal to \overline{EN} shuts down the regulator, reducing the quiescent current to less than 1 μ A at $T_J = 25^\circ\text{C}$.

For the TPS77401, the power good (PG) terminal is an active-high output, which can be used to implement a power-on reset or a low-battery indicator. An internal comparator in the TPS77401 monitors the output voltage of the regulator to detect an undervoltage condition on the regulated output voltage. When OUT falls below 82% of its regulated voltage, PG goes to a low-impedance state. PG goes to a high-impedance state when OUT is above 82% of its regulated voltage.

AVAILABLE OPTIONS⁽¹⁾

T_J	OUTPUT VOLTAGE (V)	PACKAGED DEVICE MSOP (DGK)	
	TYP	ORDERABLE PART NUMBER	SYMBOL
-55°C to 125°C	Adjustable 1.5 V to 5.5 V	TPS77401MDGKREP	BYQ

(1) The TPS77401 is programmable using an external resistor divider (see application information). The DGK package is available taped and reeled.

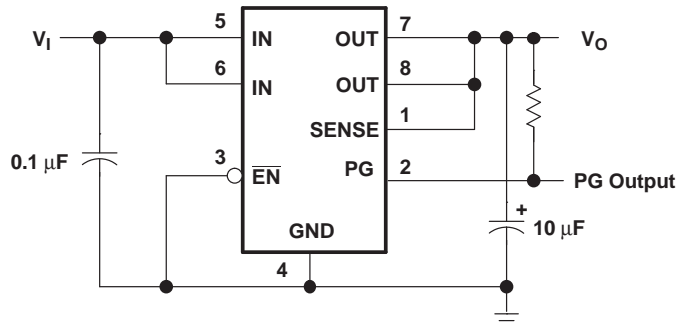
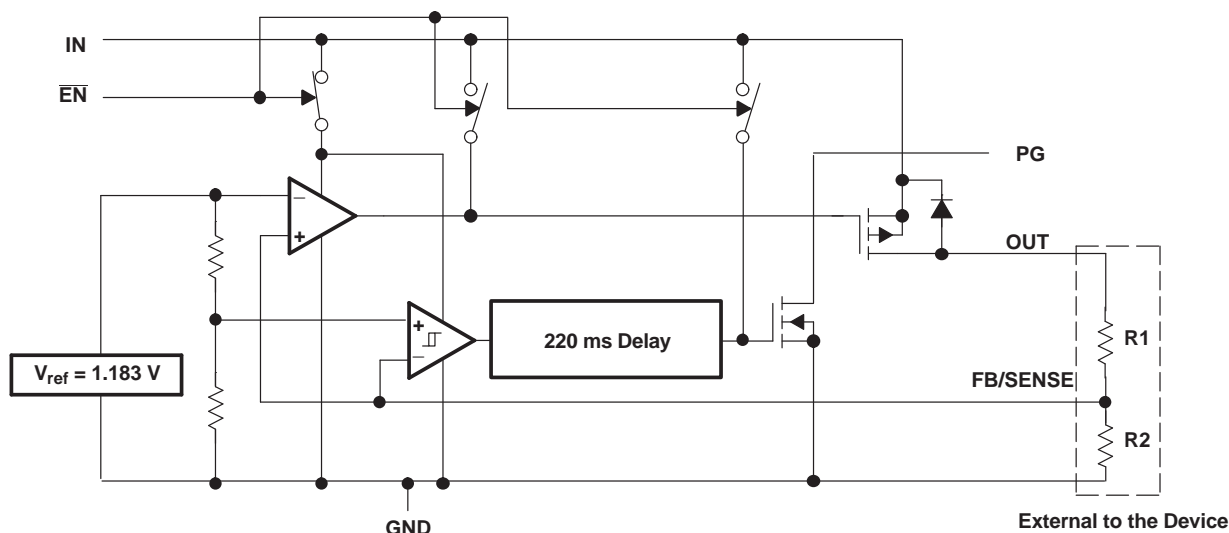


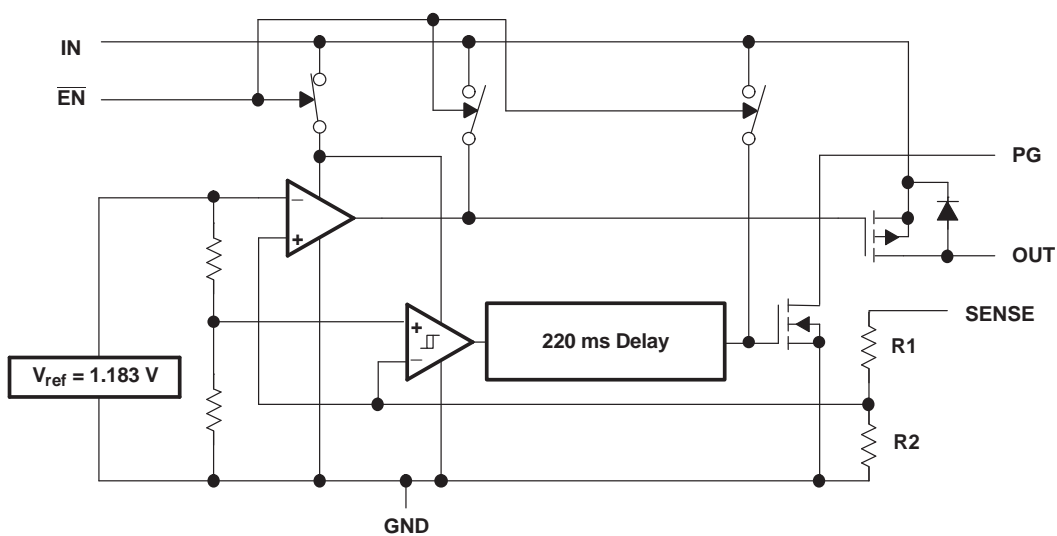
Figure 1. Typical Application Configuration (for Fixed-Output Options)

FUNCTIONAL BLOCK DIAGRAMS

ADJUSTABLE VERSION



FIXED-VOLTAGE VERSION



TERMINAL FUNCTIONS

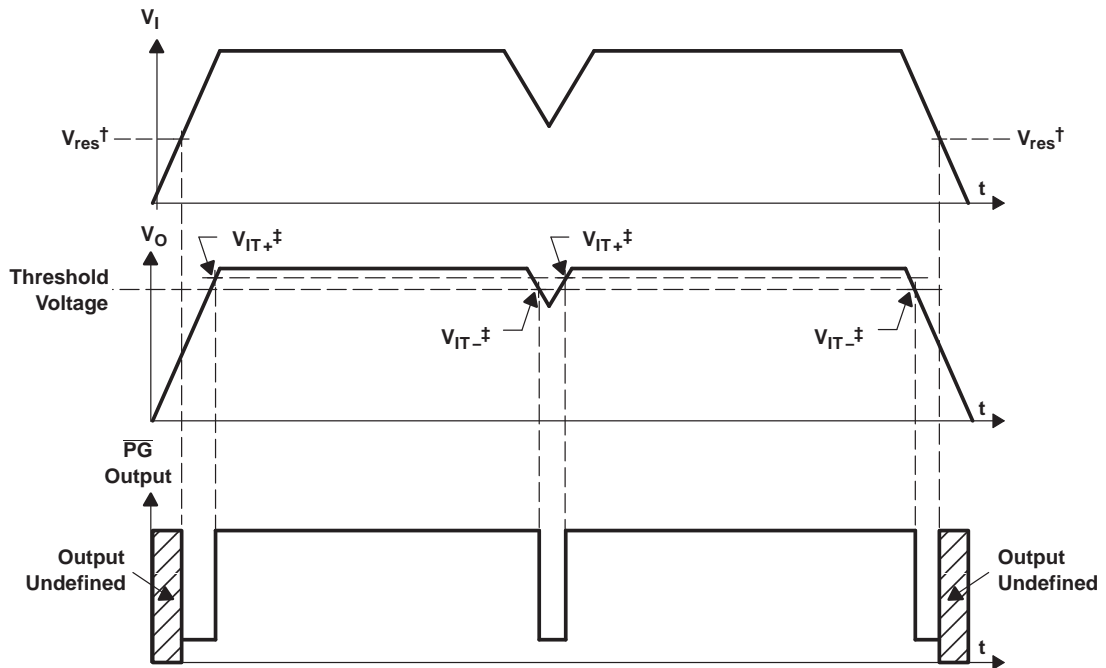
TERMINAL		I/O	DESCRIPTION
NAME	NO.		
FB/SENSE	1	I	Feedback input voltage for adjustable device (sense input for fixed options)
PG	2	O	Power good
$\overline{\text{EN}}$	3	I	Enable
GND	4		Regulator ground
IN	5, 6	I	Input voltage
OUT	7, 8	O	Regulated output voltage

TPS77401-EP

**250-mA LDO VOLTAGE REGULATOR
WITH POWER-GOOD OUTPUT**

SLVS702—OCTOBER 2006

PG TIMING DIAGRAM



$^\dagger V_{res}$ is the minimum input voltage for a valid PG. The symbol V_{res} is not currently listed within EIA or JEDEC standards for semiconductor symbology.

$^\ddagger V_{IT-}$ – Trip voltage is typically 18% lower than the output voltage ($82\%V_o$) V_{IT-} to V_{IT+} is the hysteresis voltage.

Absolute Maximum Ratings⁽¹⁾

over operating free-air temperature range (unless otherwise noted)

	MIN	MAX	UNIT
V _I Input voltage range ⁽²⁾	-0.3	13.5	V
Voltage range at \overline{EN}	-0.3	16.5	V
Maximum PG voltage		16.5	V
Peak output current	Internally limited		
Continuous total power dissipation	See Dissipation Rating Table		
V _O Output voltage (OUT, FB)		5.5	V
T _j Operating virtual junction temperature range ⁽³⁾	-55	125	°C
T _{stg} Storage temperature range	-65	150	°C
ESD rating, Human-Body Model (HBM)		2	kV

(1) Stresses beyond those listed under "absolute maximum ratings" may cause permanent damage to the device. These are stress ratings only, and functional operation of the device at these or any other conditions beyond those indicated under "recommended operating conditions" is not implied. Exposure to absolute-maximum-rated conditions for extended periods may affect device reliability.

(2) All voltage values are with respect to network terminal ground.

(3) Long-term high-temperature storage and/or extended use at maximum recommended operating conditions may result in a reduction of overall device life. See http://www.ti.com/ep_quality for additional information on enhanced plastic packaging

Dissipation Ratings – Free-Air Temperatures

PACKAGE	AIR FLOW (CFM)	θ_{JA} (°C/W)	θ_{JC} (°C/W)	T _A < 25°C POWER RATING	DERATING FACTOR ABOVE T _A = 25°C	T _A = 70°C POWER RATING	T _A = 85°C POWER RATING
DGK	0	266.2	3.84	376 mW	3.76 mW/°C	207 mW	150 mW
	150	255.2	3.92	392 mW	3.92 mW/°C	216 mW	157 mW
	250	242.8	4.21	412 mW	4.12 mW/°C	227 mW	165 mW

Recommended Operating Conditions

over operating free-air temperature range (unless otherwise noted)

	MIN	MAX	UNIT
V _I Input voltage ⁽¹⁾	2.7	10	V
V _O Output voltage range	1.5	5.5	V
I _O Output current ⁽²⁾	0	250	mA
T _J Operating virtual junction temperature ⁽²⁾	-55	125	°C

(1) To calculate the minimum input voltage for your maximum output current, use the following equation: $V_{I(min)} = V_{O(max)} + V_{DO(max\ load)}$.

(2) Continuous current and operating junction temperature are limited by internal protection circuitry, but it is not recommended that the device operate under conditions beyond those specified in this table for extended periods of time.

TPS77401-EP
**250-mA LDO VOLTAGE REGULATOR
WITH POWER-GOOD OUTPUT**

SLVS702–OCTOBER 2006

Electrical Characteristics

 over recommended operating junction temperature range ($T_J = -55^\circ\text{C}$ to 125°C), $V_I = V_{O(\text{typ})} + 1\text{ V}$, $I_O = 1\text{ mA}$, $\overline{\text{EN}} = 0\text{ V}$, $C_O = 10\text{ }\mu\text{F}$ (unless otherwise noted)

PARAMETER		TEST CONDITIONS		MIN	TYP	MAX	UNIT
Output voltage ⁽¹⁾⁽²⁾	Adjustable voltage	$1.5\text{ V} \leq V_O \leq 5.5\text{ V}$	$T_J = 125^\circ\text{C}$	$0.98V_O$		$1.02V_O$	V
			$T_J = \text{Full range}$	$0.977V_O$		$1.023V_O$	
	1.5-V output	$2.7\text{ V} < V_{\text{IN}} < 10\text{ V}$	$T_J = 25^\circ\text{C}$,		1.5		V
			$2.7\text{ V} < V_{\text{IN}} < 10\text{ V}$		1.470	1.530	
	1.8-V output	$2.8\text{ V} < V_{\text{IN}} < 10\text{ V}$	$T_J = 25^\circ\text{C}$,		1.8		V
			$2.8\text{ V} < V_{\text{IN}} < 10\text{ V}$		1.764	1.836	
	2.7-V output	$3.7\text{ V} < V_{\text{IN}} < 10\text{ V}$	$T_J = 25^\circ\text{C}$,		2.7		V
			$3.7\text{ V} < V_{\text{IN}} < 10\text{ V}$		2.646	2.754	
	2.8-V output	$3.8\text{ V} < V_{\text{IN}} < 10\text{ V}$	$T_J = 25^\circ\text{C}$,		2.8		V
			$3.8\text{ V} < V_{\text{IN}} < 10\text{ V}$		2.744	2.856	
3.3-V output	$4.3\text{ V} < V_{\text{IN}} < 10\text{ V}$	$T_J = 25^\circ\text{C}$,		3.3		V	
		$4.3\text{ V} < V_{\text{IN}} < 10\text{ V}$		3.234	3.366		
5-V output	$6\text{ V} < V_{\text{IN}} < 10\text{ V}$	$T_J = 25^\circ\text{C}$,		5.0		V	
		$6.0\text{ V} < V_{\text{IN}} < 10\text{ V}$		4.9	5.1		
Quiescent current (GND current) ⁽¹⁾⁽²⁾		$T_J = 25^\circ\text{C}$			92		μA
		$T_J = \text{Full range}$				135	
Output voltage line regulation ($\Delta V_O/V_O$) ⁽³⁾		$V_O + 1\text{ V} < V_I \leq 10\text{ V}$, $T_J = 25^\circ\text{C}$			0.005		%/V
		$V_O + 1\text{ V} < V_I \leq 10\text{ V}$				0.05	%/V
Load regulation		$T_J = 25^\circ\text{C}$			1		mV
Output noise voltage		BW = 300 Hz to 100 kHz, $T_J = 25^\circ\text{C}$			55		μVrms
Output current limit		$V_O = 0\text{ V}$			0.9	1.3	A
Peak output current		2 ms pulse width, 50% duty cycle			400		mA
Thermal shutdown junction temperature					144		$^\circ\text{C}$
Standby current		$\overline{\text{EN}} = V_I$		$T_J = 25^\circ\text{C}$		1	μA
				$T_J = \text{Full range}$		3	
FB input current	Adjustable voltage	$\text{FB} = 1.5\text{ V}$				1	μA
High-level enable input voltage					2		V
Low-level enable input voltage						0.7	V
Enable input current					-1	1	μA
PSRR Power-supply rejection ratio		$f = 1\text{ kHz}$, $T_J = 25^\circ\text{C}$			55		dB
PG	Minimum input voltage for valid PG	$I_{(\text{PG})} = 300\text{ }\mu\text{A}$, $V_{(\text{PG})} \leq 0.8\text{ V}$			1.1		V
	Trip threshold voltage	V_O decreasing			79	85	% V_O
	Hysteresis voltage	Measured at V_O			0.5		
	Output low voltage	$V_I = 2.7\text{ V}$, $I_{(\text{PG})} = 1\text{ mA}$			0.15	0.4	V
	Leakage current	$V_{(\text{PG})} = 5\text{ V}$				1	μA

 (1) Minimum input operating voltage is 2.7 V or $V_{O(\text{typ})} + 1\text{ V}$, whichever is greater. Maximum input voltage = 10 V, minimum output current 1 mA.

 (2) $I_O = 1\text{ mA}$ to 250 mA

 (3) If $V_O < 1.8\text{ V}$, then $V_{I(\text{max})} = 10\text{ V}$, $V_{I(\text{min})} = 2.7\text{ V}$:

$$\text{Line regulation (mV)} = (\%/V) \times \frac{V_O(V_{I(\text{max})} - 2.7\text{ V})}{100} \times 1000$$

 If $V_O > 2.5\text{ V}$, then $V_{I(\text{max})} = 10\text{ V}$, $V_{I(\text{min})} = V_O + 1\text{ V}$:

$$\text{Line regulation (mV)} = (\%/V) \times \frac{V_O(V_{I(\text{max})} - (V_O + 1))}{100} \times 1000$$

Electrical Characteristics (continued)

over recommended operating junction temperature range ($T_J = -55^\circ\text{C}$ to 125°C), $V_I = V_{O(\text{typ})} + 1\text{ V}$, $I_O = 1\text{ mA}$, $\overline{\text{EN}} = 0\text{ V}$, $C_O = 10\text{ }\mu\text{F}$ (unless otherwise noted)

PARAMETER		TEST CONDITIONS		MIN	TYP	MAX	UNIT
V_{DO}	Dropout voltage ⁽⁴⁾	2.8-V output	$I_O = 250\text{ mA}$, $T_J = 25^\circ\text{C}$		270		mV
			$I_O = 250\text{ mA}$			475	
	3.3-V output	$I_O = 250\text{ mA}$	$T_J = 25^\circ\text{C}$		200		
			$T_J = \text{Full Range}$			350	
	5-V output	$I_O = 250\text{ mA}$	$T_J = 25^\circ\text{C}$		125		
			$I_O = 250\text{ mA}$			190	

(4) I_{N} voltage equals $V_{O(\text{typ})} - 100\text{ mV}$; 1.5-V, 1.8-V, and 2.7-V dropout voltage limited by input voltage range limitations (i.e., 3.3-V input voltage needs to drop to 3.2-V for purpose of this test).

TPS77401-EP
250-mA LDO VOLTAGE REGULATOR
WITH POWER-GOOD OUTPUT

SLVS702—OCTOBER 2006



TYPICAL CHARACTERISTICS

Table of Graphs

		FIGURE
Output voltage	vs Output current	2, 3
	vs Junction temperature	4, 5
Ground current	vs Junction temperature	6
Power-supply rejection ratio	vs Frequency	7
Output spectral noise density	vs Frequency	8
Output impedance	vs Frequency	9
Dropout voltage	vs Input voltage	10
	vs Junction temperature	11
Line transient response		12, 14
Load transient response		13, 15
Output voltage and enable pulse	vs Time	16
Equivalent series resistance	vs Output current	18–21

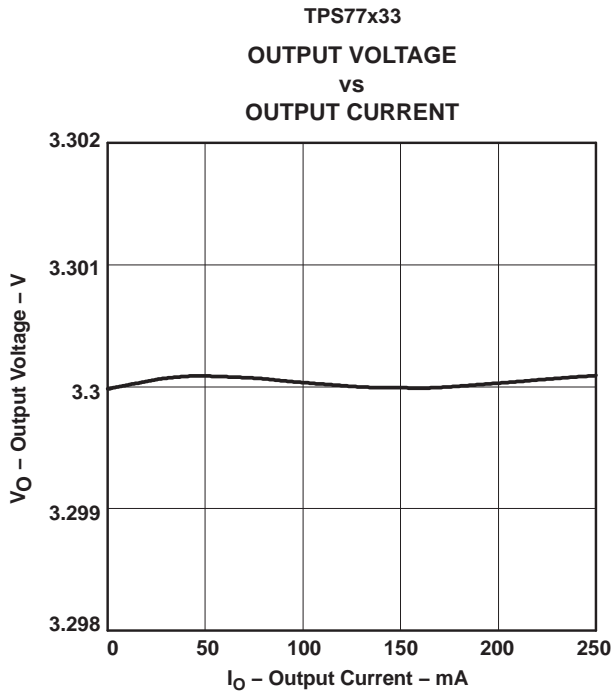


Figure 2.

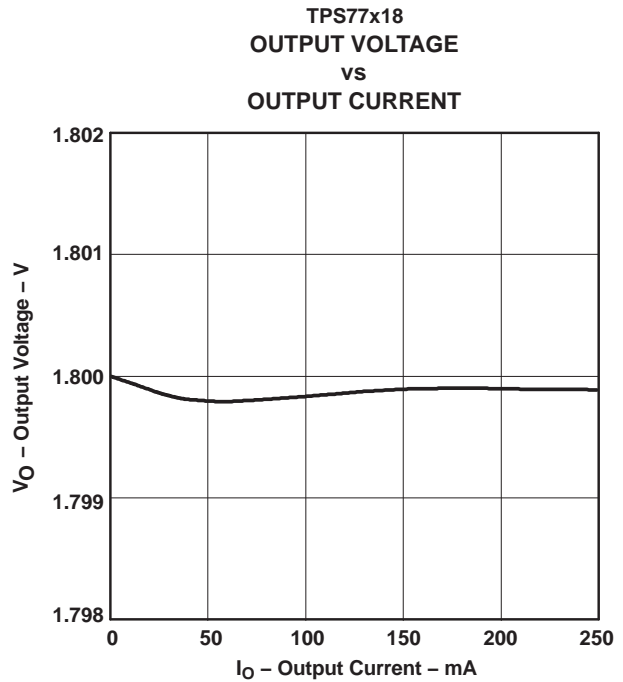


Figure 3.

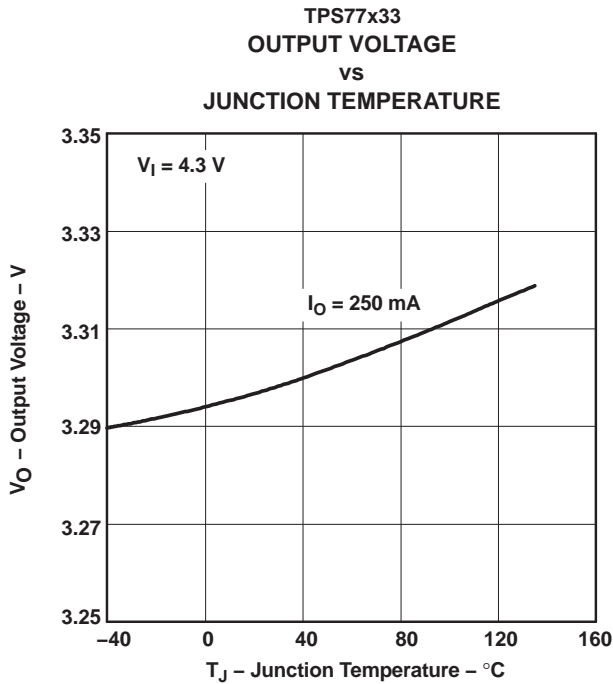


Figure 4.

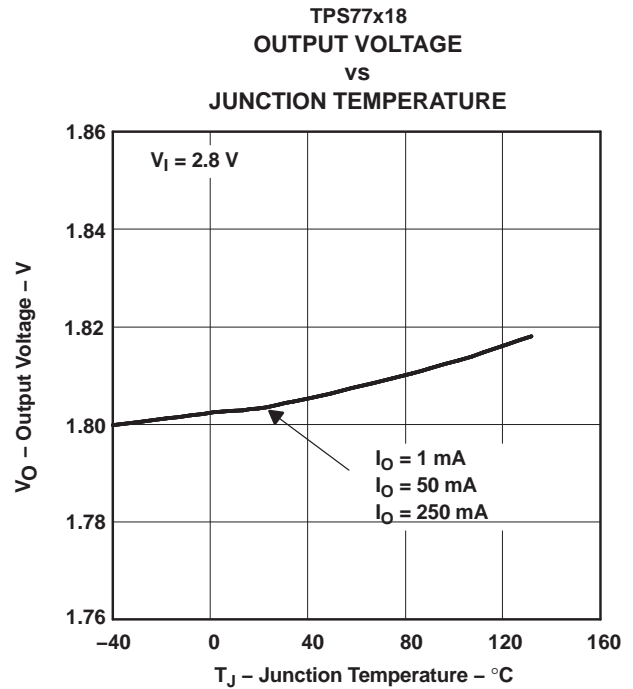


Figure 5.

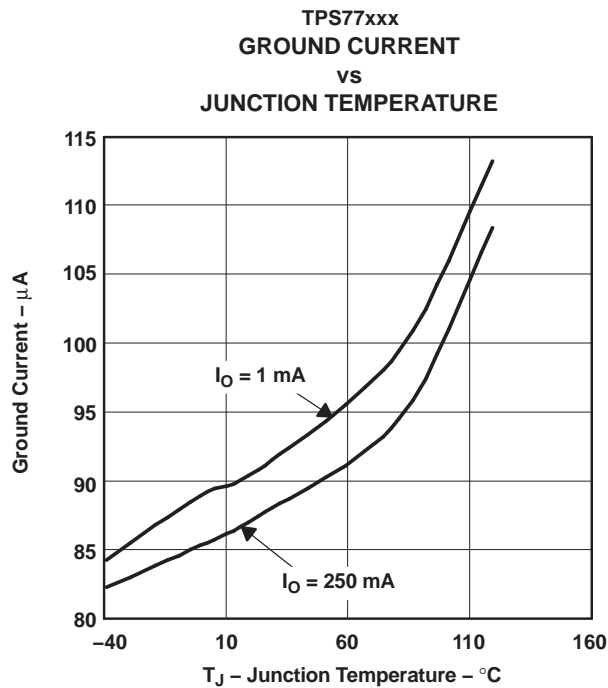


Figure 6.

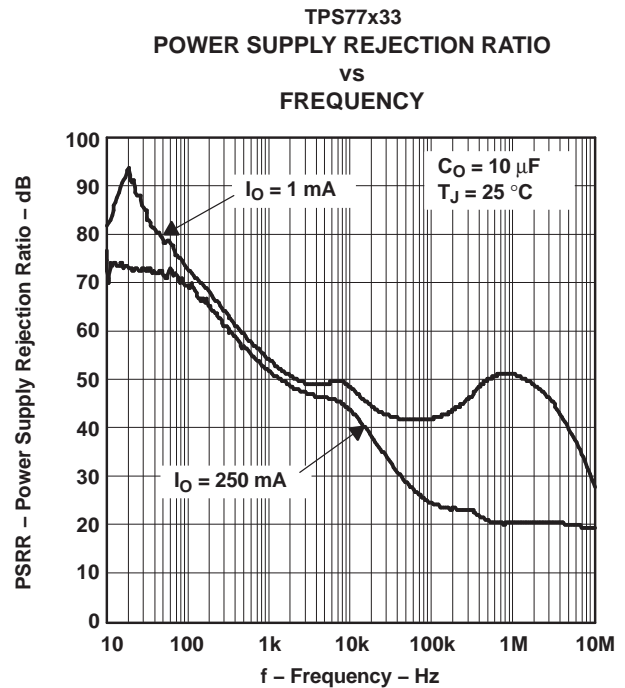


Figure 7.

TPS77401-EP
250-mA LDO VOLTAGE REGULATOR
WITH POWER-GOOD OUTPUT

SLVS702—OCTOBER 2006

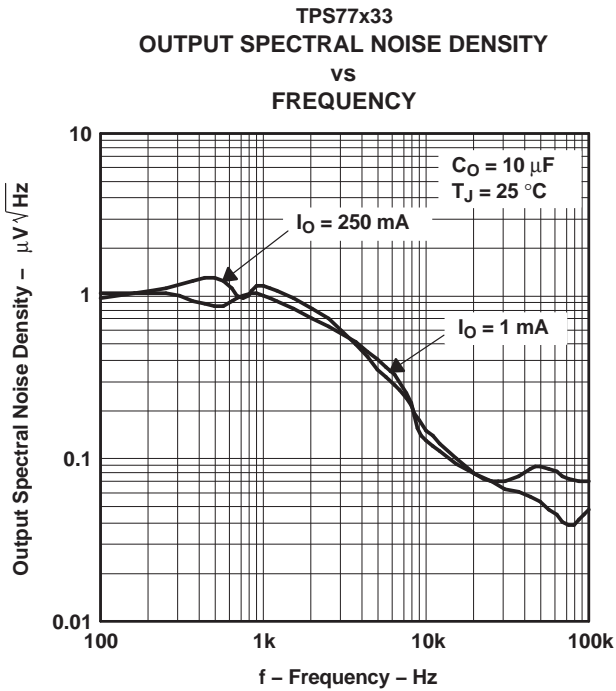


Figure 8.

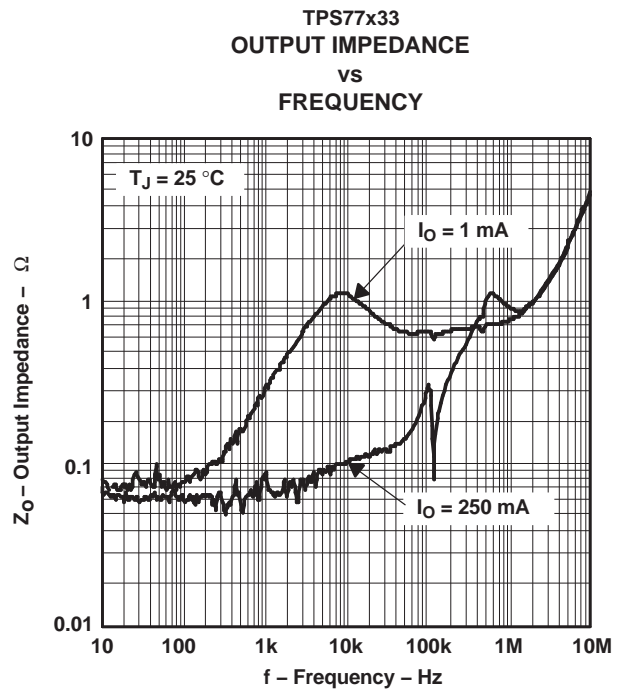


Figure 9.

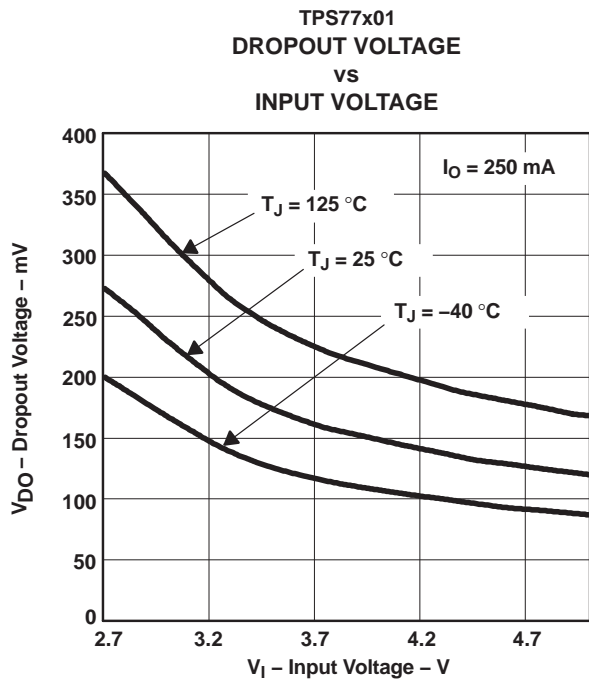


Figure 10.

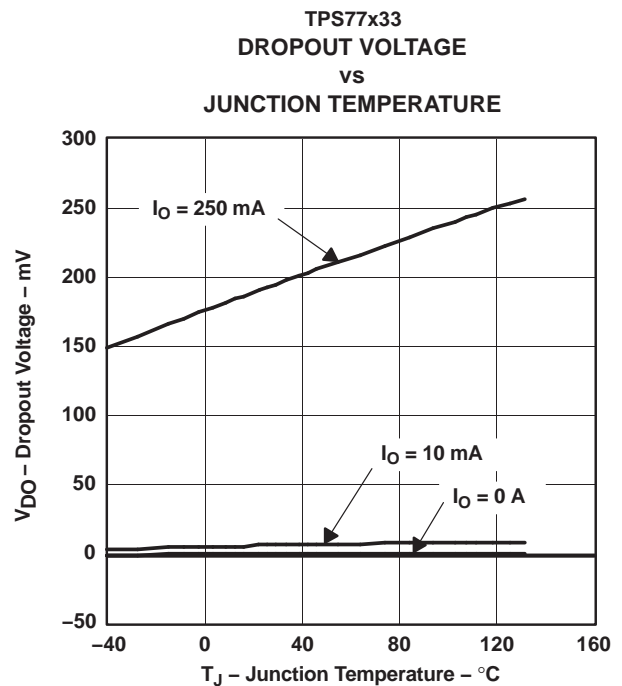


Figure 11.

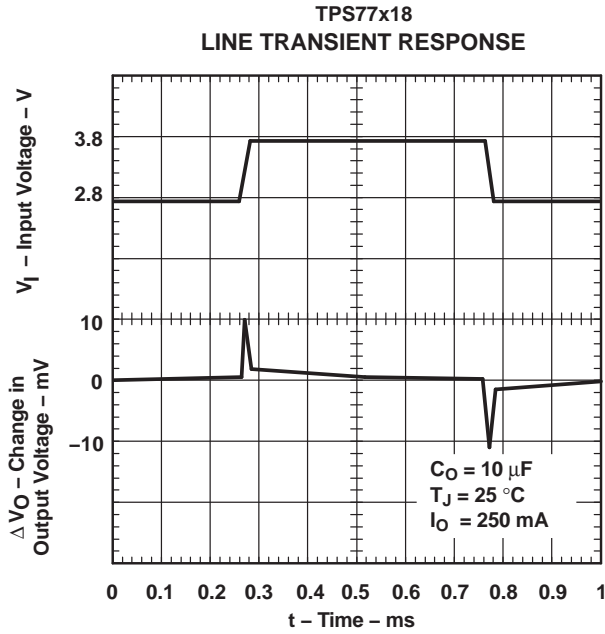


Figure 12.

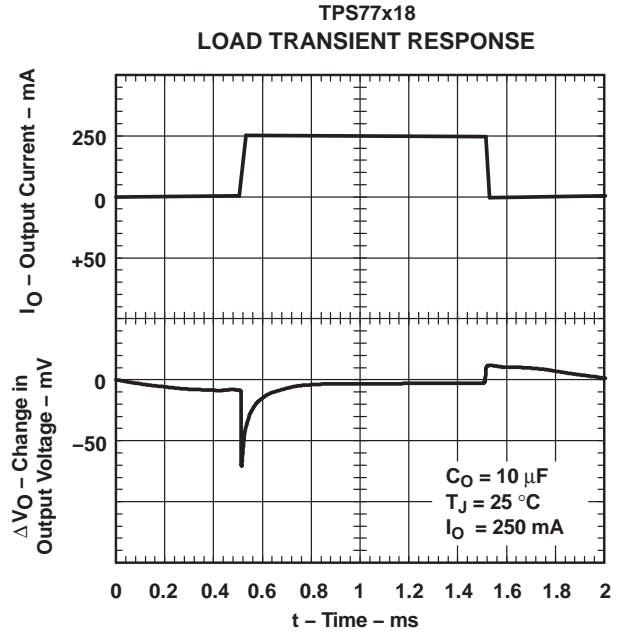


Figure 13.

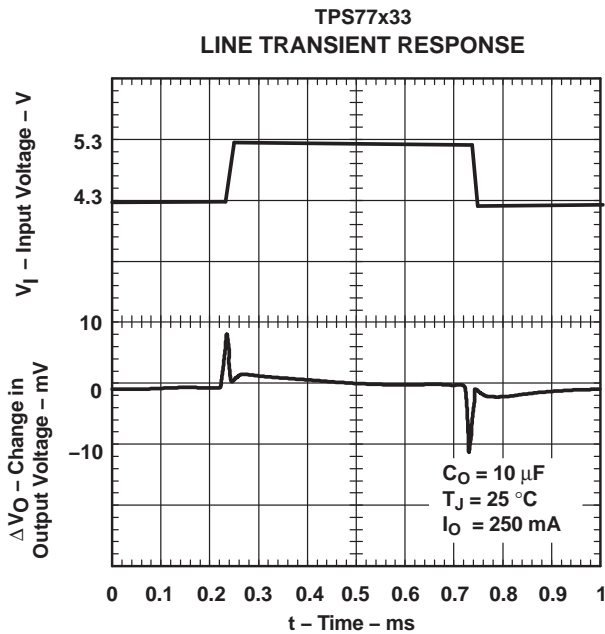


Figure 14.

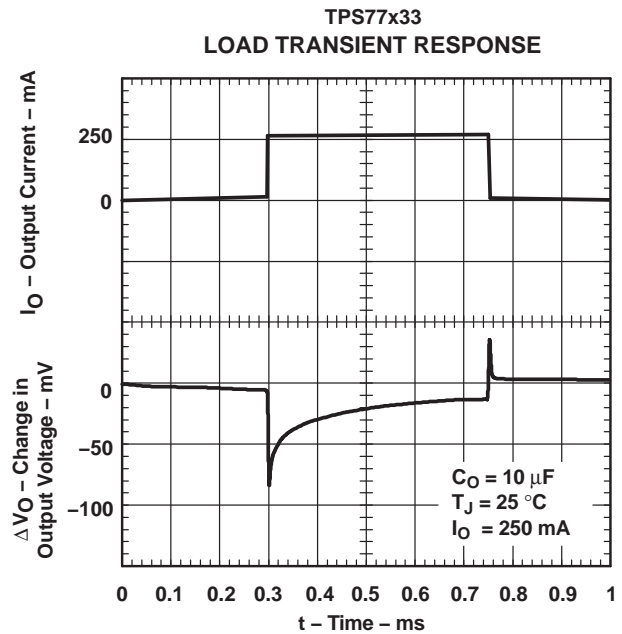


Figure 15.

TPS77401-EP

**250-mA LDO VOLTAGE REGULATOR
WITH POWER-GOOD OUTPUT**

SLVS702—OCTOBER 2006

TPS77x33
OUTPUT VOLTAGE AND
ENABLE PULSE
vs
TIME (AT STARTUP)

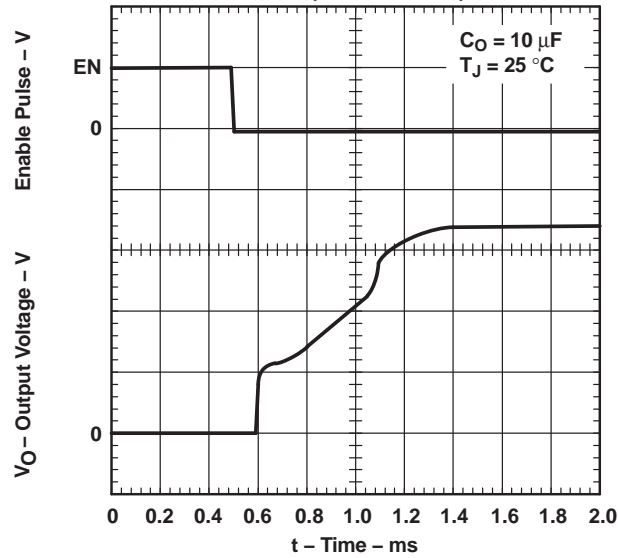


Figure 16.

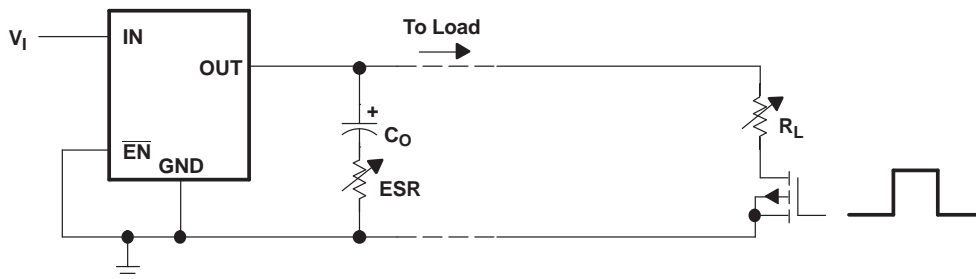


Figure 17. Test Circuit for Typical Regions of Stability (Figure 18 through Figure 21)
(Fixed-Output Options)

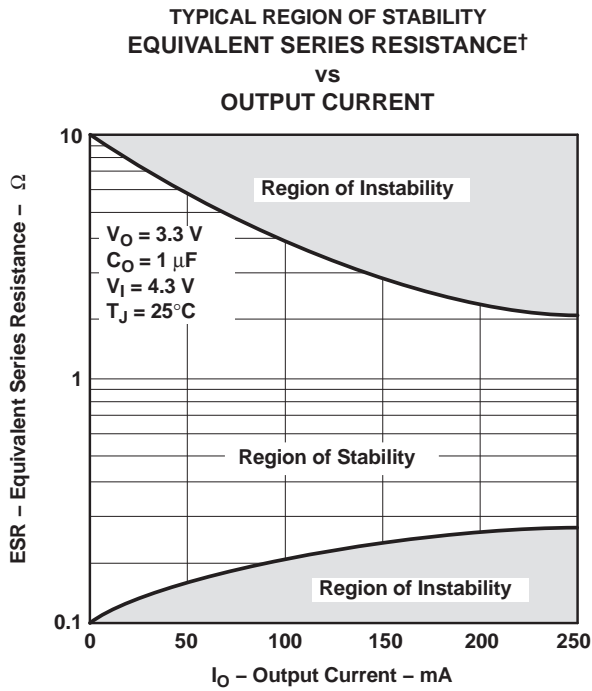


Figure 18.

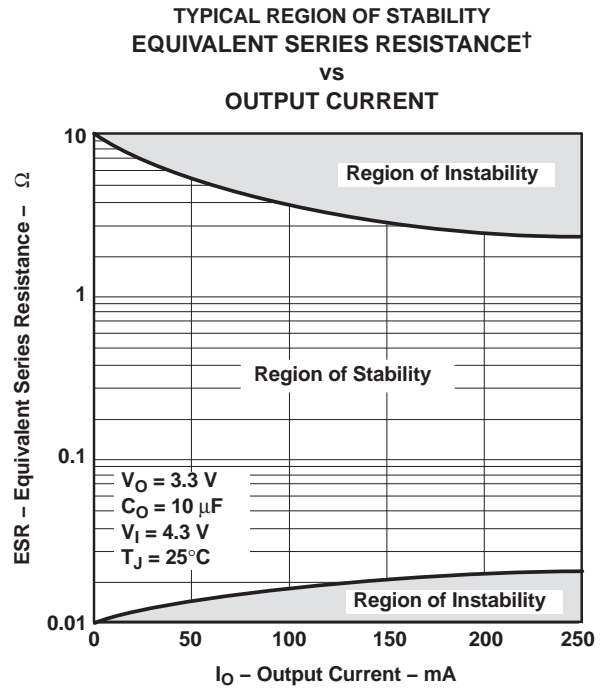


Figure 19.

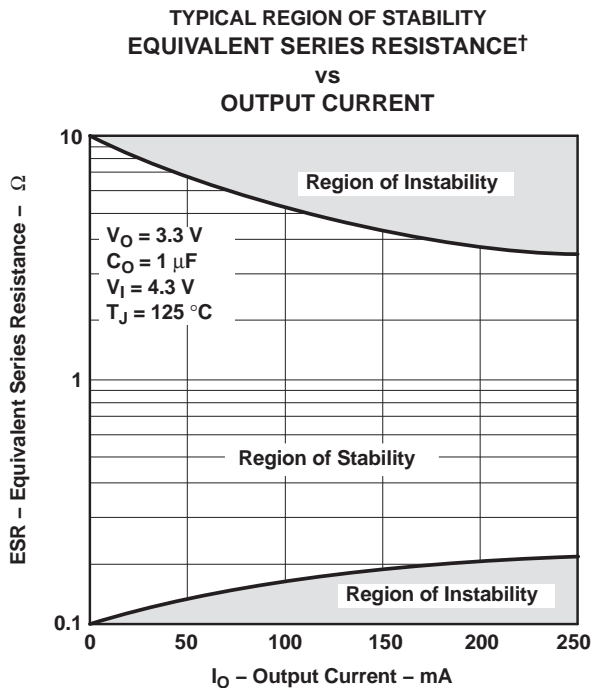


Figure 20.

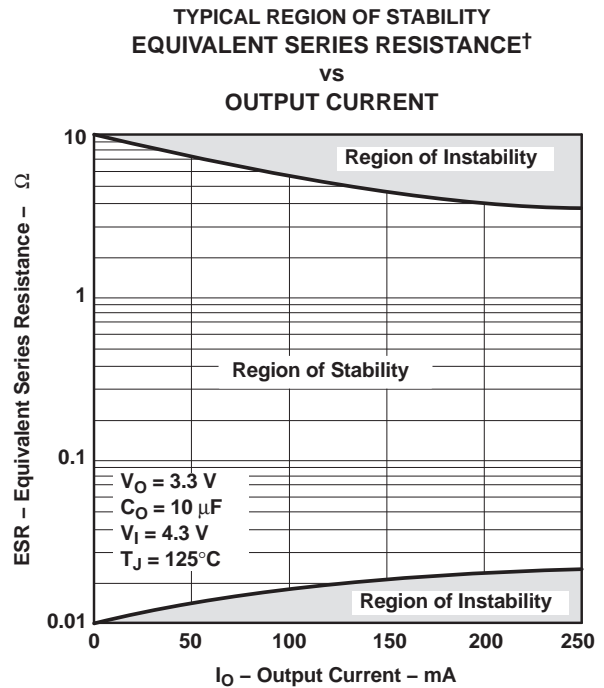


Figure 21.

TPS77401-EP
**250-mA LDO VOLTAGE REGULATOR
WITH POWER-GOOD OUTPUT**

SLVS702–OCTOBER 2006

APPLICATION INFORMATION
Pin Functions
Enable (\overline{EN})

The \overline{EN} terminal is an input that enables or shuts down the device. If \overline{EN} is a logic high, the device is in shutdown mode. When \overline{EN} goes to logic low, the device is enabled.

Power Good (PG)

The PG terminal is an open-drain, active-high output that indicates the status of V_{out} (output of the LDO). When V_{out} reaches 82% of the regulated voltage, PG goes to a high-impedance state. It goes to a low-impedance state when V_{out} falls below 82% (i.e., overload condition) of the regulated voltage. The open-drain output of the PG terminal requires a pullup resistor.

Sense (SENSE)

The SENSE terminal of the fixed-output options must be connected to the regulator output, and the connection should be as short as possible. Internally, SENSE connects to a high-impedance wide-bandwidth amplifier through a resistor-divider network and noise pickup feeds through to the regulator output. It is essential to route the SENSE connection in such a way to minimize/avoid noise pickup. Adding RC networks between the SENSE terminal and V_{out} to filter noise is not recommended because it may cause the regulator to oscillate.

Feedback (FB)

FB is an input terminal used for the adjustable-output options and must be connected to an external feedback resistor divider. The FB connection should be as short as possible. It is essential to route it in such a way to minimize/avoid noise pickup. Adding RC networks between FB terminal and V_{out} to filter noise is not recommended because it may cause the regulator to oscillate.

External Capacitor Requirements

An input capacitor is not usually required; however, a bypass capacitor (0.047 μF or larger) improves load transient response and noise rejection if the device is located more than a few inches from the power supply. A higher-capacitance capacitor may be necessary if large (hundreds of milliamps) load transients with fast rise times are anticipated.

Most low-noise LDOs require an external capacitor to further reduce noise. This will impact the cost and board space. The TPS77401 have very low noise specification requirements without using any external components.

Like all LDO regulators, the TPS77401 requires an output capacitor connected between OUT (output of the LDO) and GND (signal ground) to stabilize the internal control loop. The minimum recommended capacitance value is 1 μF , provided the ESR meets the requirement in [Figure 19](#) and [Figure 21](#). In addition, a low-ESR capacitor can be used if the capacitance is at least 10 μF and the ESR meets the requirements in [Figure 18](#) and [Figure 20](#). Solid tantalum electrolytic, aluminum electrolytic, and multilayer ceramic capacitors are all suitable, provided they meet the requirements previously described.

Ceramic capacitors have different types of dielectric material with each exhibiting different temperature and voltage variation. The most common types are X5R, X7R, Y5U, Z5U, and NPO. The NPO type ceramic type capacitors are generally the most stable over temperature. However, the X5R and X7R are also relatively stable over temperature (with the X7R being the more stable of the two) and are, therefore, acceptable to use. The Y5U and Z5U types provide high capacitance in a small geometry, but exhibit large variations over temperature; therefore, the Y5U and Z5U are not generally recommended for use on this LDO. Independent of which type of capacitor is used, one must make certain that at the worst-case condition, the capacitance/ESR meets the requirements specified in [Figure 18](#) through [Figure 21](#).

[Figure 22](#) shows the output capacitor and its parasitic impedances in a typical LDO output stage.

APPLICATION INFORMATION (continued)

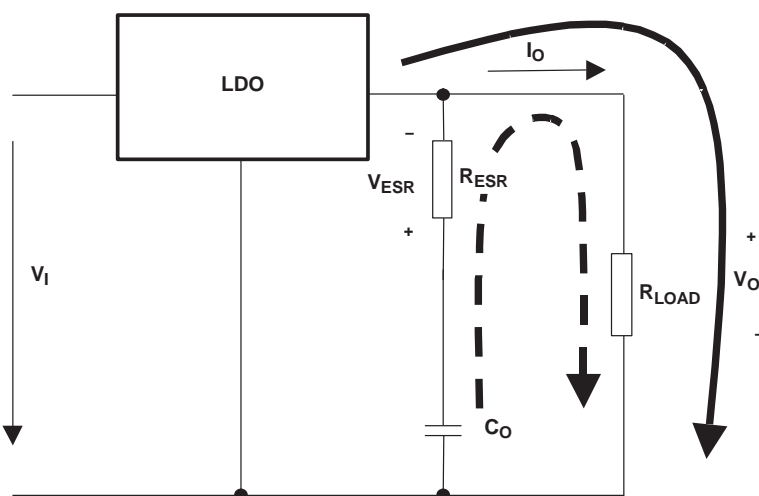


Figure 22. LDO Output Stage With Parasitic Resistances ESR

In steady state (dc state condition), the load current is supplied by the LDO (solid arrow) and the voltage across the capacitor is the same as the output voltage ($V_{C_{out}} = V_{out}$). This means no current is flowing into the C_{out} branch. If I_{out} suddenly increases (transient condition), the following occurs:

- The LDO is not able to supply the sudden current need due to its response time (t_1 in Figure 23). Therefore, capacitor C_{out} provides the current for the new load condition (dashed arrow). C_{out} now acts like a battery with an internal resistance, ESR. Depending on the current demand at the output, a voltage drop will occur at R_{ESR} . This voltage is shown as V_{ESR} in Figure 22.
- When C_{out} is conducting current to the load, initial voltage at the load is $V_{out} = V_{C_{out}} - V_{ESR}$. Due to the discharge of C_{out} , the output voltage V_{out} drops continuously until the response time t_1 of the LDO is reached and the LDO resumes supplying the load. From this point, the output voltage starts rising again until it reaches the regulated voltage. This period is shown as t_2 in Figure 23.

The figure also shows the impact of different ESRs on the output voltage. The left brackets show different levels of ESRs, where number 1 displays the lowest ESR and number 3 displays the highest ESR.

- The higher the ESR, the larger the droop at the beginning of load transient.
- The smaller the output capacitor, the faster the discharge time and the bigger the voltage droop during the LDO response period.

Conclusion

To minimize the transient output droop, capacitors must have a low ESR and be large enough to support the minimum output voltage requirement.

TPS77401-EP

**250-mA LDO VOLTAGE REGULATOR
 WITH POWER-GOOD OUTPUT**

SLVS702—OCTOBER 2006



APPLICATION INFORMATION (continued)

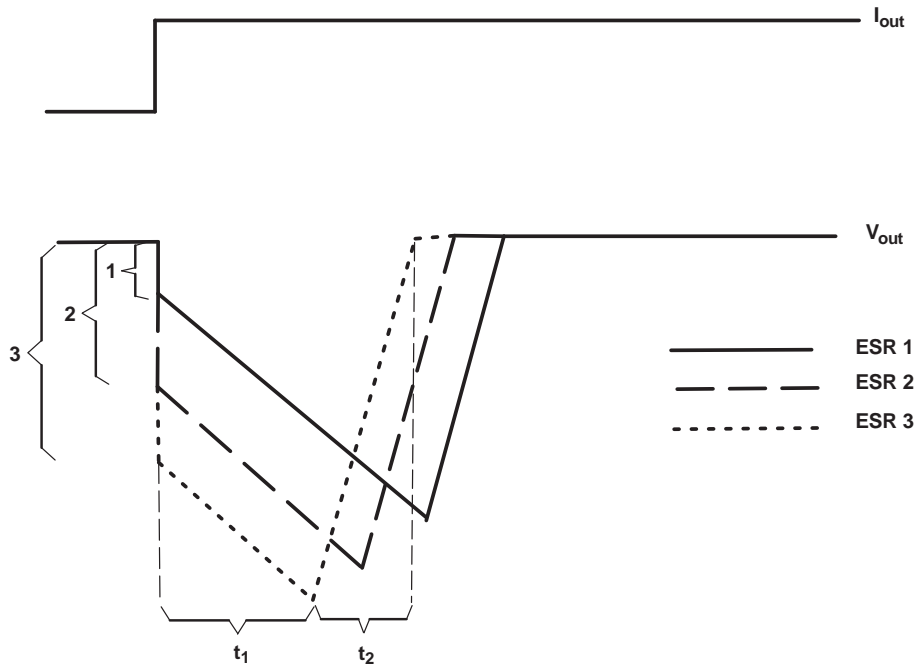


Figure 23. Correlation of Different ESRs and Their Influence to the Regulation of V_{out} at a Load Step From Low-to-High Output Current

APPLICATION INFORMATION (continued)

Programming the TPS77401 Adjustable LDO Regulator

The output voltage of the TPS77401 adjustable regulator is programmed using an external resistor divider as shown in Figure 24. The output voltage is calculated using:

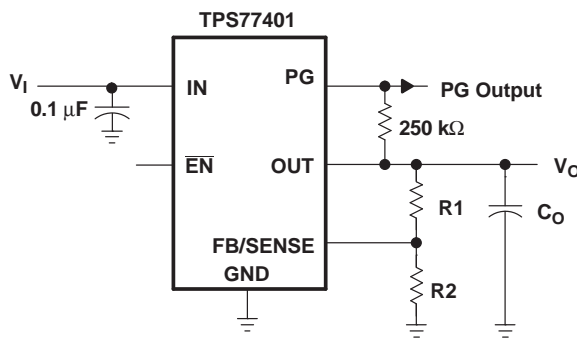
$$V_O = V_{ref} \times \left(1 + \frac{R1}{R2}\right) \tag{1}$$

Where:

$V_{ref} = 1.1834 \text{ V typ}$ (the internal reference voltage)

Resistors R1 and R2 should be chosen for approximately 50- μA divider current. Lower-value resistors can be used, but offer no inherent advantage and waste more power. Higher values should be avoided, as leakage currents at FB increase the output voltage error. The recommended design procedure is to choose $R2 = 30.1 \text{ k}\Omega$ to set the divider current at 50 μA and then calculate R1 using:

$$R1 = \left(\frac{V_O}{V_{ref}} - 1\right) \times R2 \tag{2}$$



OUTPUT VOLTAGE PROGRAMMING GUIDE

OUTPUT VOLTAGE	R1	R2	UNIT
2.5 V	33.5	30.1	k Ω
3.3 V	53.8	30.1	k Ω
3.6 V	61.5	30.1	k Ω

NOTE: To reduce noise and prevent oscillation, R1 and R2 need to be as close as possible to the FB/SENSE terminal.

Figure 24. TPS77401 Adjustable LDO Regulator Programming

Regulator Protection

The TPS77401 PMOS-pass transistor has a built-in back diode that conducts reverse currents when the input voltage drops below the output voltage (e.g., during power down). Current is conducted from the output to the input and is not internally limited. When extended reverse voltage is anticipated, external limiting may be appropriate.

The device also features internal current limiting and thermal protection. During normal operation, the TPS77401 limits output current to approximately 0.9 A. When current limiting engages, the output voltage scales back linearly until the overcurrent condition ends. While current limiting is designed to prevent gross device failure, care should be taken not to exceed the power dissipation ratings of the package. If the temperature of the device exceeds 150°C (typ), thermal-protection circuitry shuts it down. Once the device has cooled below 130°C (typ), regulator operation resumes.

TPS77401-EP

**250-mA LDO VOLTAGE REGULATOR
WITH POWER-GOOD OUTPUT**

SLVS702–OCTOBER 2006



APPLICATION INFORMATION (continued)

Power Dissipation and Junction Temperature

Specified regulator operation is ensured to a junction temperature of 125°C; the maximum junction temperature should be restricted to 125°C under normal operating conditions. This restriction limits the power dissipation the regulator can handle in any given application. To ensure the junction temperature is within acceptable limits, calculate the maximum allowable dissipation, $P_{D(max)}$, and the actual dissipation, P_D , which must be less than or equal to $P_{D(max)}$.

The maximum power dissipation limit is determined using the following equation:

$$P_{D(max)} = \frac{T_{Jmax} - T_A}{R_{\theta JA}}$$

Where:

T_{Jmax} = Maximum allowable junction temperature

$R_{\theta JA}$ = Thermal resistance, junction to ambient, for the package, i.e., 266.2°C/W for the 8-terminal MSOP with no airflow

T_A = Ambient temperature

The regulator dissipation is calculated using:

$$P_D = (V_I - V_O) \times I_O$$

Power dissipation resulting from quiescent current is negligible. Excessive power dissipation triggers the thermal protection circuit.

PACKAGING INFORMATION

Orderable Device	Status ⁽¹⁾	Package Type	Package Drawing	Pins	Package Qty	Eco Plan ⁽²⁾	Lead/Ball Finish	MSL Peak Temp ⁽³⁾
TPS77401MDGKREP	ACTIVE	MSOP	DGK	8	2500	Green (RoHS & no Sb/Br)	CU NIPDAU	Level-1-260C-UNLIM
V62/06663-01XE	ACTIVE	MSOP	DGK	8	2500	Green (RoHS & no Sb/Br)	CU NIPDAU	Level-1-260C-UNLIM

⁽¹⁾ The marketing status values are defined as follows:

ACTIVE: Product device recommended for new designs.

LIFEBUY: TI has announced that the device will be discontinued, and a lifetime-buy period is in effect.

NRND: Not recommended for new designs. Device is in production to support existing customers, but TI does not recommend using this part in a new design.

PREVIEW: Device has been announced but is not in production. Samples may or may not be available.

OBSELETE: TI has discontinued the production of the device.

⁽²⁾ Eco Plan - The planned eco-friendly classification: Pb-Free (RoHS), Pb-Free (RoHS Exempt), or Green (RoHS & no Sb/Br) - please check <http://www.ti.com/productcontent> for the latest availability information and additional product content details.

TBD: The Pb-Free/Green conversion plan has not been defined.

Pb-Free (RoHS): TI's terms "Lead-Free" or "Pb-Free" mean semiconductor products that are compatible with the current RoHS requirements for all 6 substances, including the requirement that lead not exceed 0.1% by weight in homogeneous materials. Where designed to be soldered at high temperatures, TI Pb-Free products are suitable for use in specified lead-free processes.

Pb-Free (RoHS Exempt): This component has a RoHS exemption for either 1) lead-based flip-chip solder bumps used between the die and package, or 2) lead-based die adhesive used between the die and leadframe. The component is otherwise considered Pb-Free (RoHS compatible) as defined above.

Green (RoHS & no Sb/Br): TI defines "Green" to mean Pb-Free (RoHS compatible), and free of Bromine (Br) and Antimony (Sb) based flame retardants (Br or Sb do not exceed 0.1% by weight in homogeneous material)

⁽³⁾ MSL, Peak Temp. -- The Moisture Sensitivity Level rating according to the JEDEC industry standard classifications, and peak solder temperature.

Important Information and Disclaimer:The information provided on this page represents TI's knowledge and belief as of the date that it is provided. TI bases its knowledge and belief on information provided by third parties, and makes no representation or warranty as to the accuracy of such information. Efforts are underway to better integrate information from third parties. TI has taken and continues to take reasonable steps to provide representative and accurate information but may not have conducted destructive testing or chemical analysis on incoming materials and chemicals. TI and TI suppliers consider certain information to be proprietary, and thus CAS numbers and other limited information may not be available for release.

In no event shall TI's liability arising out of such information exceed the total purchase price of the TI part(s) at issue in this document sold by TI to Customer on an annual basis.

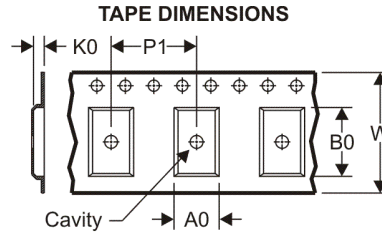
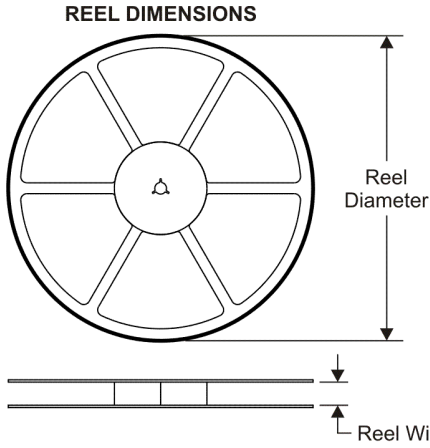
OTHER QUALIFIED VERSIONS OF TPS77401-EP :

- Catalog: [TPS77401](#)

NOTE: Qualified Version Definitions:

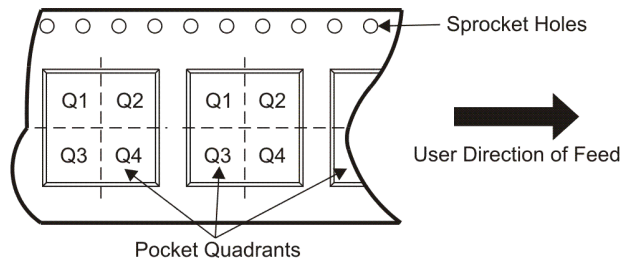
- Catalog - TI's standard catalog product

TAPE AND REEL INFORMATION



A0	Dimension designed to accommodate the component width
B0	Dimension designed to accommodate the component length
K0	Dimension designed to accommodate the component thickness
W	Overall width of the carrier tape
P1	Pitch between successive cavity centers

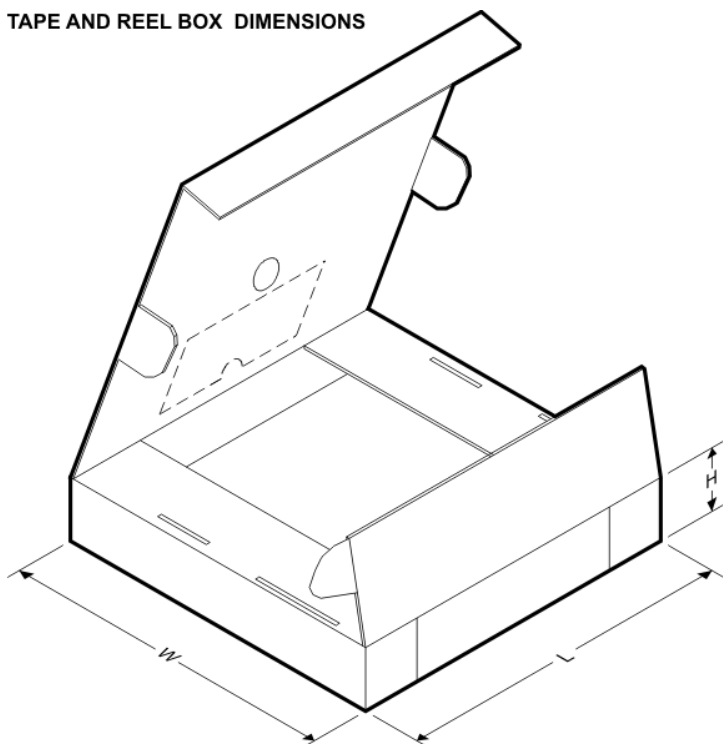
QUADRANT ASSIGNMENTS FOR PIN 1 ORIENTATION IN TAPE



*All dimensions are nominal

Device	Package Type	Package Drawing	Pins	SPQ	Reel Diameter (mm)	Reel Width W1 (mm)	A0 (mm)	B0 (mm)	K0 (mm)	P1 (mm)	W (mm)	Pin1 Quadrant
TPS77401MDGKREP	MSOP	DGK	8	2500	330.0	12.4	5.3	3.4	1.4	8.0	12.0	Q1

TAPE AND REEL BOX DIMENSIONS



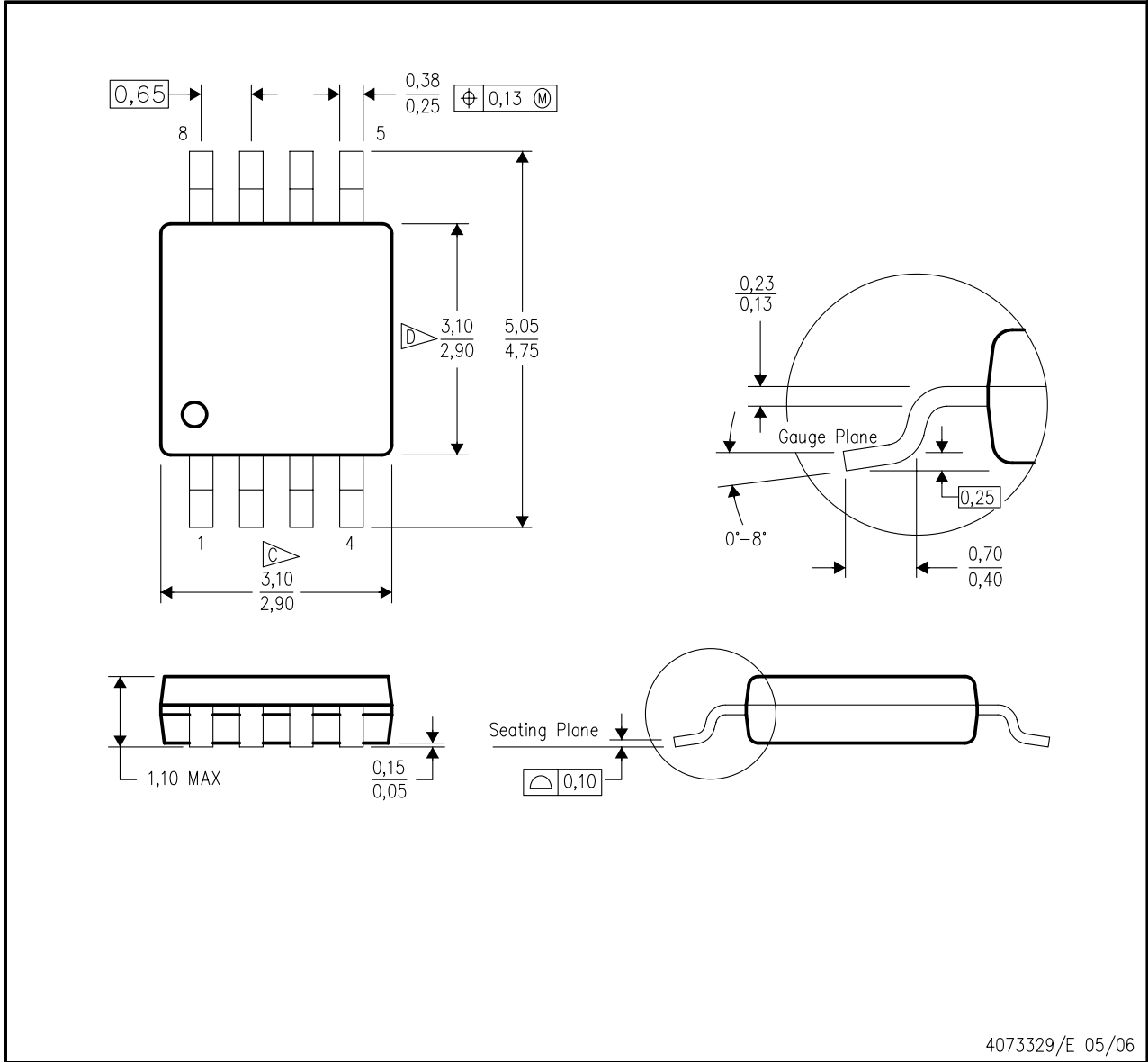
*All dimensions are nominal

Device	Package Type	Package Drawing	Pins	SPQ	Length (mm)	Width (mm)	Height (mm)
TPS77401MDGKREP	MSOP	DGK	8	2500	358.0	335.0	35.0

MECHANICAL DATA

DGK (S-PDSO-G8)

PLASTIC SMALL-OUTLINE PACKAGE



- NOTES:
- A. All linear dimensions are in millimeters.
 - B. This drawing is subject to change without notice.
 - C. Body length does not include mold flash, protrusions, or gate burrs. Mold flash, protrusions, or gate burrs shall not exceed 0.15 per end.
 - D. Body width does not include interlead flash. Interlead flash shall not exceed 0.50 per side.
 - E. Falls within JEDEC MO-187 variation AA, except interlead flash.

IMPORTANT NOTICE

Texas Instruments Incorporated and its subsidiaries (TI) reserve the right to make corrections, modifications, enhancements, improvements, and other changes to its products and services at any time and to discontinue any product or service without notice. Customers should obtain the latest relevant information before placing orders and should verify that such information is current and complete. All products are sold subject to TI's terms and conditions of sale supplied at the time of order acknowledgment.

TI warrants performance of its hardware products to the specifications applicable at the time of sale in accordance with TI's standard warranty. Testing and other quality control techniques are used to the extent TI deems necessary to support this warranty. Except where mandated by government requirements, testing of all parameters of each product is not necessarily performed.

TI assumes no liability for applications assistance or customer product design. Customers are responsible for their products and applications using TI components. To minimize the risks associated with customer products and applications, customers should provide adequate design and operating safeguards.

TI does not warrant or represent that any license, either express or implied, is granted under any TI patent right, copyright, mask work right, or other TI intellectual property right relating to any combination, machine, or process in which TI products or services are used. Information published by TI regarding third-party products or services does not constitute a license from TI to use such products or services or a warranty or endorsement thereof. Use of such information may require a license from a third party under the patents or other intellectual property of the third party, or a license from TI under the patents or other intellectual property of TI.

Reproduction of TI information in TI data books or data sheets is permissible only if reproduction is without alteration and is accompanied by all associated warranties, conditions, limitations, and notices. Reproduction of this information with alteration is an unfair and deceptive business practice. TI is not responsible or liable for such altered documentation. Information of third parties may be subject to additional restrictions.

Resale of TI products or services with statements different from or beyond the parameters stated by TI for that product or service voids all express and any implied warranties for the associated TI product or service and is an unfair and deceptive business practice. TI is not responsible or liable for any such statements.

TI products are not authorized for use in safety-critical applications (such as life support) where a failure of the TI product would reasonably be expected to cause severe personal injury or death, unless officers of the parties have executed an agreement specifically governing such use. Buyers represent that they have all necessary expertise in the safety and regulatory ramifications of their applications, and acknowledge and agree that they are solely responsible for all legal, regulatory and safety-related requirements concerning their products and any use of TI products in such safety-critical applications, notwithstanding any applications-related information or support that may be provided by TI. Further, Buyers must fully indemnify TI and its representatives against any damages arising out of the use of TI products in such safety-critical applications.

TI products are neither designed nor intended for use in military/aerospace applications or environments unless the TI products are specifically designated by TI as military-grade or "enhanced plastic." Only products designated by TI as military-grade meet military specifications. Buyers acknowledge and agree that any such use of TI products which TI has not designated as military-grade is solely at the Buyer's risk, and that they are solely responsible for compliance with all legal and regulatory requirements in connection with such use.

TI products are neither designed nor intended for use in automotive applications or environments unless the specific TI products are designated by TI as compliant with ISO/TS 16949 requirements. Buyers acknowledge and agree that, if they use any non-designated products in automotive applications, TI will not be responsible for any failure to meet such requirements.

Following are URLs where you can obtain information on other Texas Instruments products and application solutions:

Products

Amplifiers	amplifier.ti.com
Data Converters	dataconverter.ti.com
DLP® Products	www.dlp.com
DSP	dsp.ti.com
Clocks and Timers	www.ti.com/clocks
Interface	interface.ti.com
Logic	logic.ti.com
Power Mgmt	power.ti.com
Microcontrollers	microcontroller.ti.com
RFID	www.ti-rfid.com
RF/IF and ZigBee® Solutions	www.ti.com/lprf

Applications

Audio	www.ti.com/audio
Automotive	www.ti.com/automotive
Broadband	www.ti.com/broadband
Digital Control	www.ti.com/digitalcontrol
Medical	www.ti.com/medical
Military	www.ti.com/military
Optical Networking	www.ti.com/opticalnetwork
Security	www.ti.com/security
Telephony	www.ti.com/telephony
Video & Imaging	www.ti.com/video
Wireless	www.ti.com/wireless

Mailing Address: Texas Instruments, Post Office Box 655303, Dallas, Texas 75265
Copyright © 2009, Texas Instruments Incorporated