

## **Excellent Integrated System Limited**

Stocking Distributor

Click to view price, real time Inventory, Delivery & Lifecycle Information:

[Comair Rotron](#)  
[19031084A](#)

For any questions, you can email us directly:

[sales@integrated-circuit.com](mailto:sales@integrated-circuit.com)

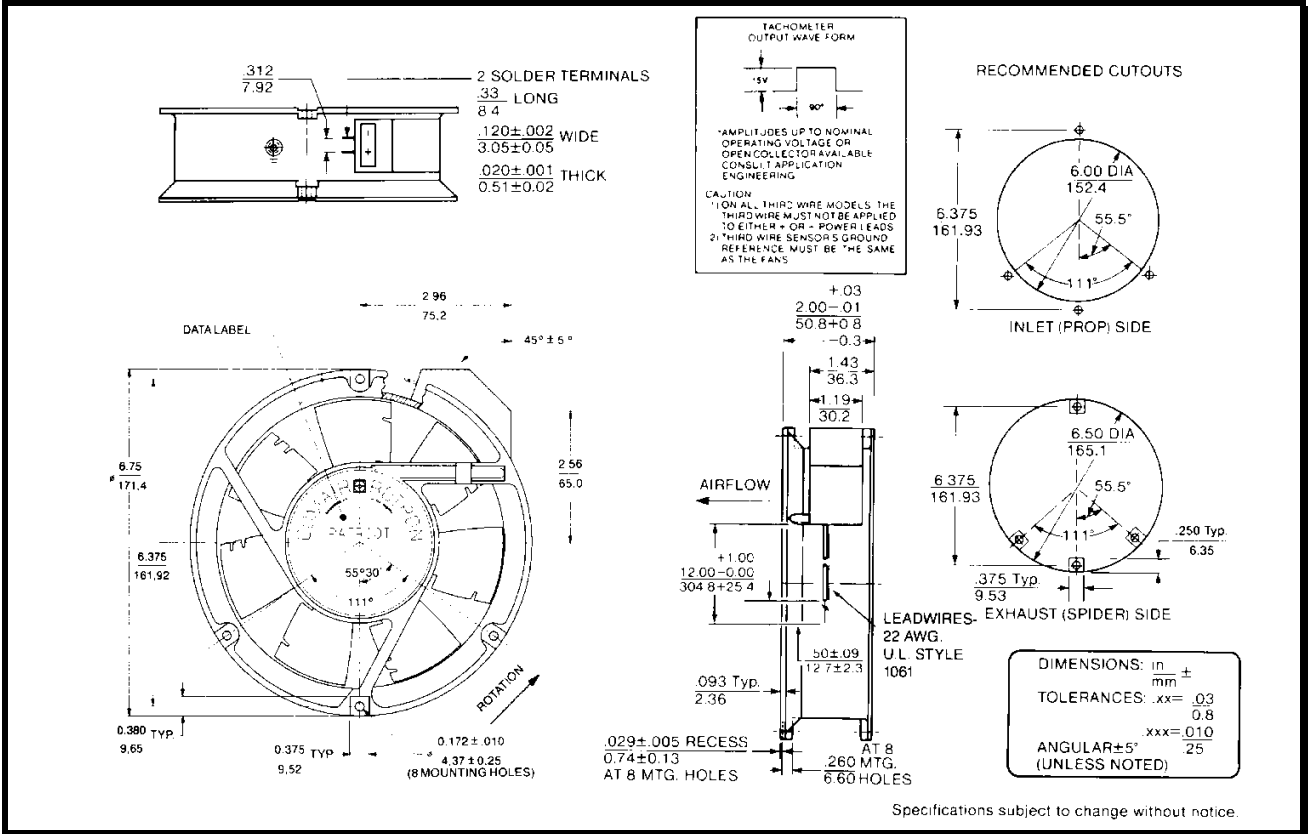
**SPECIFICATIONS**  
(RoHS Compliant)



**Model Number:** PQ24B4  
**Part Number:** 19031084A

December 15, 2001

**Mechanical Drawing:**



**Motor:**

Nominal Voltage = 24 vdc  
 Operating Voltage Range = 12 - 28 vdc  
 Nominal Running Current = 1.00 amps  
 Locked Rotor Current = 2.00 amps  
 Running Power = 24 watts  
 Average Speed = 3500 RPM  
 Bearings = Ball  
 Air Flow = 235 CFM  
 Acoustic = 51.2 dBA

**Construction:**

Venturi: Single Piece, Die-Cast Aluminum, Black  
 Propeller: Plastic, Black, UL 94V-0

**Life Expectancy:**

This fan is designed for continuous duty life of 75,000 hours at 40°C.

**Additional Features:**

Brushless DC Motor  
 Polarity Protected  
 Locked Rotor Protection  
 Automatic Restart Capability  
 Operating Temperature: -10°C to 70°C  
 Storage Temperature: -40°C to 85°C

**Termination:**

0.110" Terminals (2)

**Agency Approvals:**

UL, CE