

Excellent Integrated System Limited

Stocking Distributor

Click to view price, real time Inventory, Delivery & Lifecycle Information:

[Comair Rotron](#)
[19030619A](#)

For any questions, you can email us directly:

sales@integrated-circuit.com

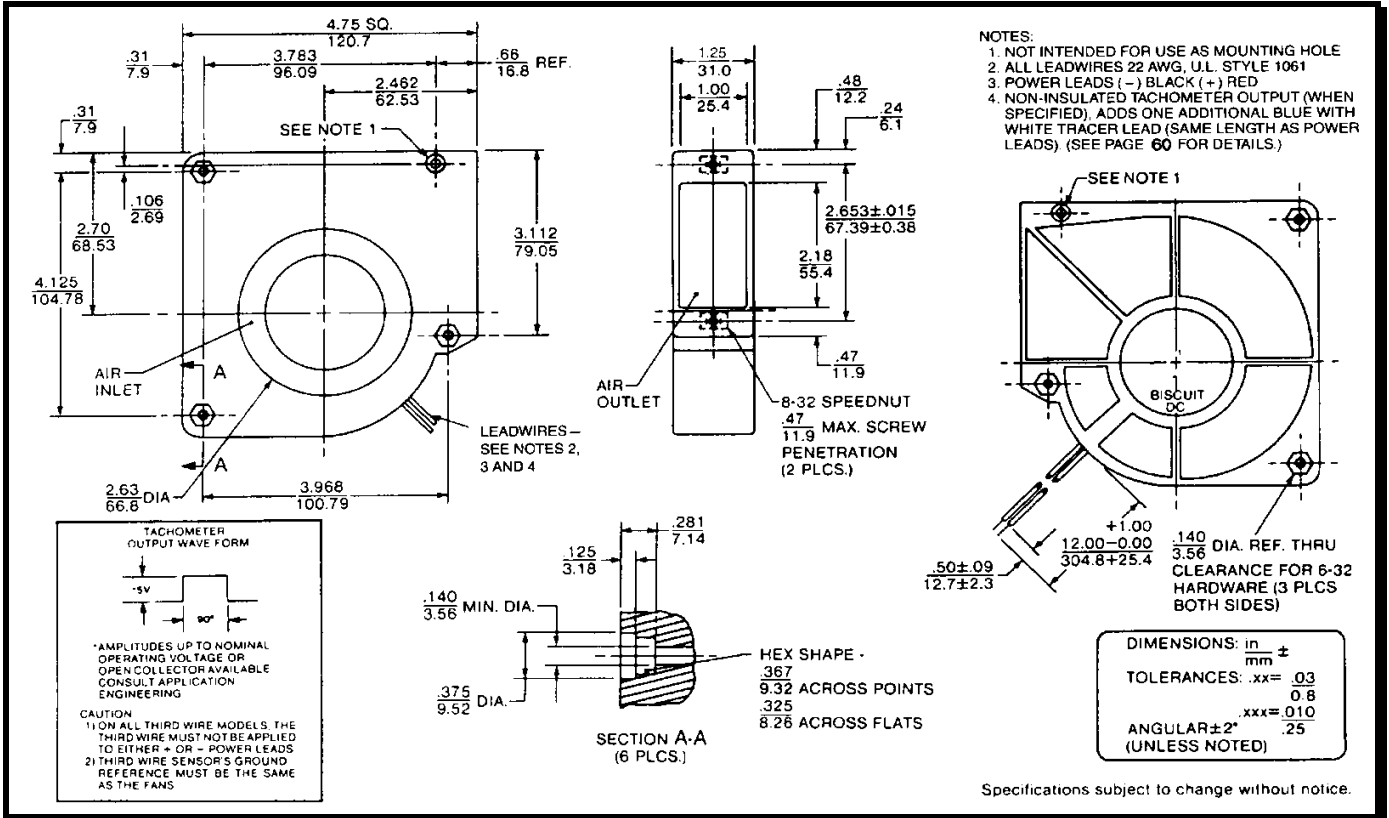
SPECIFICATIONS (RoHS Compliant)



Model Number: BD12B3
Part Number: 19030619A

Drawing Number: 26018457A00
Jan.25.2013

Mechanical Drawing:



Motor:

Nominal Voltage = 12 vdc
 Operating Voltage Range = 6 - 14 vdc
 Nominal Running Current = 0.900 amps
 Locked Rotor Current = 1.9 amps
 Running Power = 10.8 watts
 Average Speed = 3040 rpm
 Bearings = Ball
 Air Flow = 25 cfm
 Acoustic = 51.2 dBA

Construction:

Venturi: Plastic, Black, UL 94V-0
 Propeller: Plastic, Black, UL 94V-0

Life Expectancy:

This fan is designed for continuous duty life of 78,000 hours at 40°C.

Additional Features:

Brushless DC Motor
 Polarity Protected
 Locked Rotor Protection
 Automatic Restart Capability
 Operating Temperature: -10°C to 70°C
 Storage Temperature: -40°C to 85°C

Termination:

12" Lead wires, AWG 22, UL 1061
 Red = Power (+)
 Black = Return (-)

Agency Approvals:

UL, CE