



Excellent Integrated System Limited

Stocking Distributor

Click to view price, real time Inventory, Delivery & Lifecycle Information:

[Serpac Electronic Enclosures
15S,GY](#)

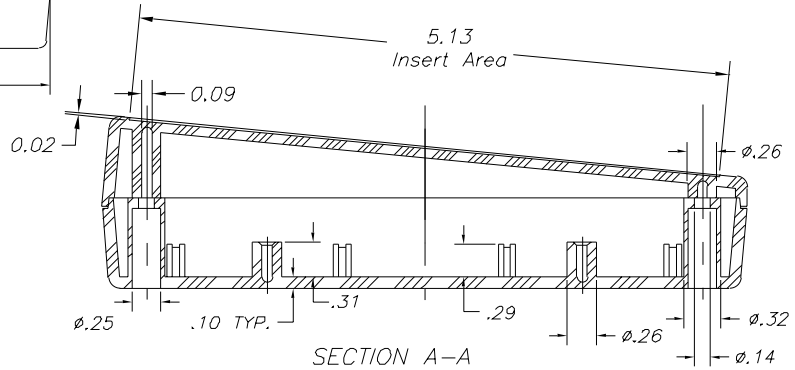
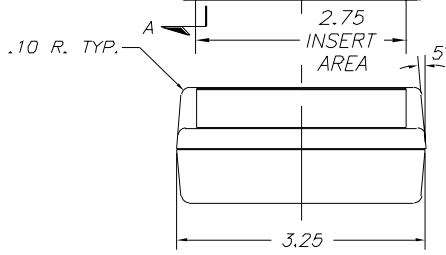
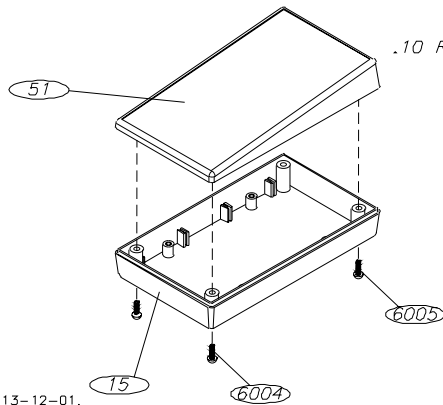
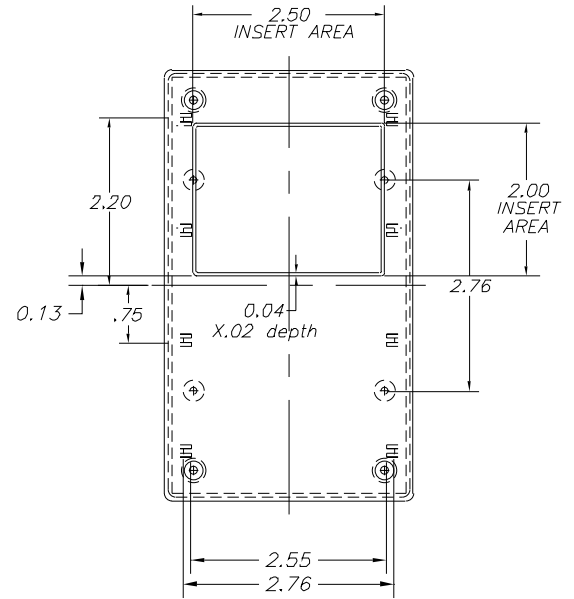
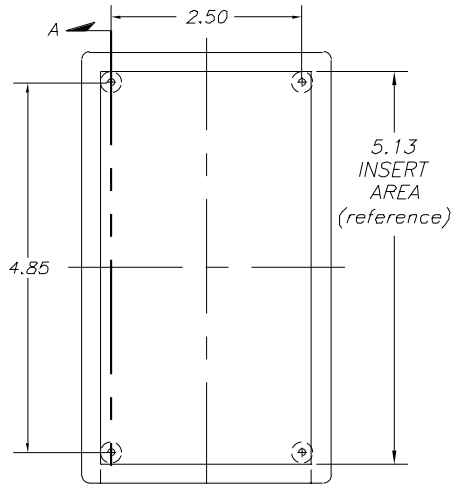
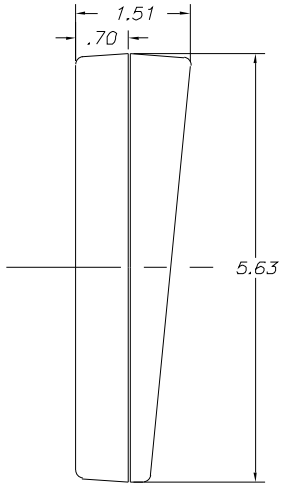
For any questions, you can email us directly:

sales@integrated-circuit.com

SERPAC 15-S
Electronic Enclosures

NOTES:

1. WHEN MACHINE OR PLATES MODIFICATIONS ARE REQUIRED, USE THE CENTER OF THE ENCLOSURE TO DIMENSION.



13-12-01. ALL DIMENSIONS ± .010

PART NO.	DESCRIPTION	ACCESSORIES	
5S	PLASTIC TOP	PART NO.	DESCRIPTION
15	PLASTIC BOTTOM	50	FEET
6004	SCREWS (2)	350	PROTOTYPE GRID BOARD (HORIZ.)
6005	SCREWS (2)	450	PROTOTYPE CLAD BOARD (HORIZ.)
		351	PROTOTYPE GRID BOARD (VERT.)
		451	PROTOTYPE CLAD BOARD (VERT.)
		PC	POCKET CLIP