

## Excellent Integrated System Limited

Stocking Distributor

Click to view price, real time Inventory, Delivery & Lifecycle Information:

[Molex Connector Corporation](#)  
[0955406886](#)

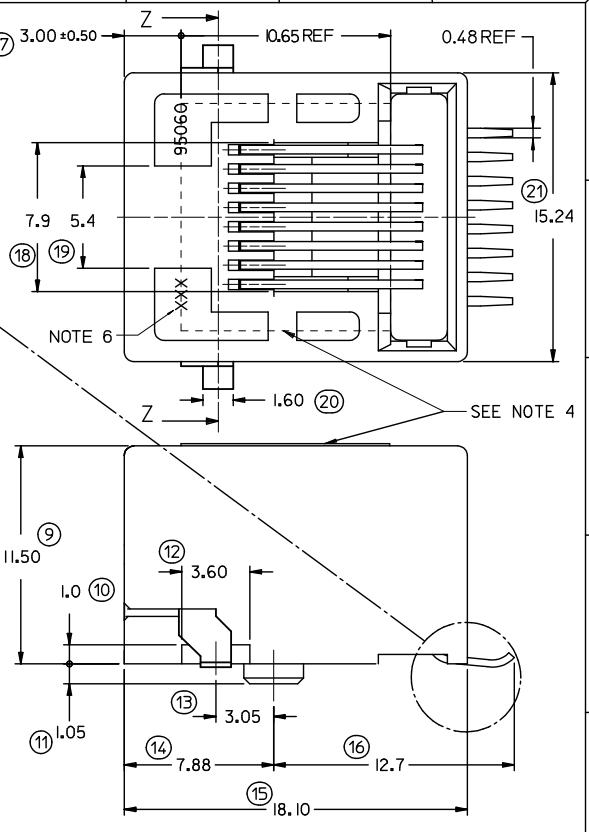
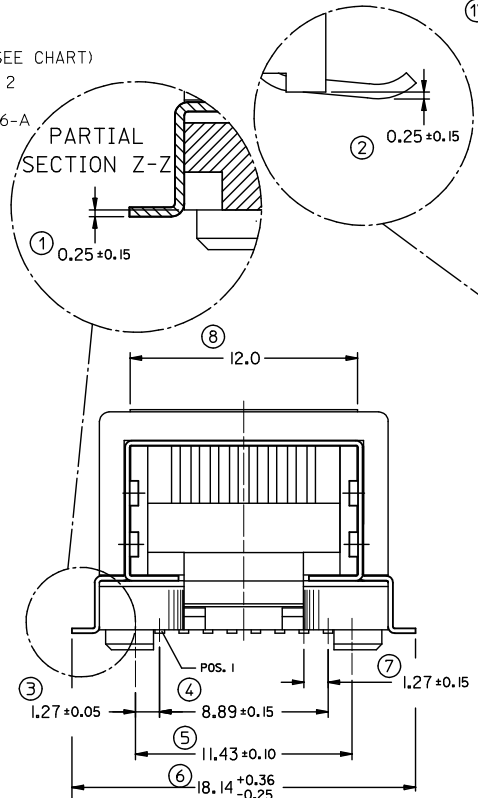
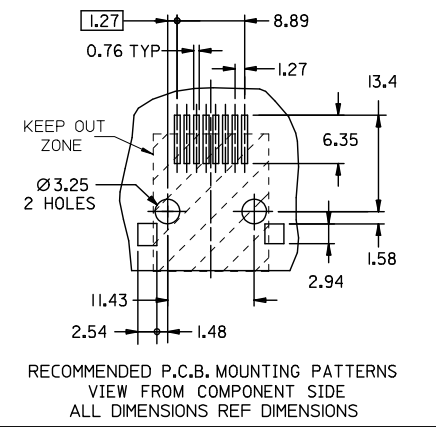
For any questions, you can email us directly:

[sales@integrated-circuit.com](mailto:sales@integrated-circuit.com)

**NOTES:**

- 1- COPLANARITY OF LEADS : 0.10 MAX.  
COPLANARITY OF SHIELD TABS: 0.10 MAX.
- 2- PACKAGING SPECIFICATION : BLISTER ON REEL (SEE CHART)
- 3- PRODUCT SPECIFICATION : MOLEX PS-95540-00 2
- 4- KAPTON ADHESIVE FOIL: 0.125 THICK.
- 5- JACK FOR MATING WITH IEC 60603-7 AND TIA-1096-A PLUGS 95043 MOLEX SERIES.

6- MANUFACTURING I.D. CAN BE EITHER MXF, MG OR MXI. LAST INSPECTION NUMBER: 21



PACKAGING		
PART NUMBER	REEL SIZE	SPECIFICATION
95540-6886	330	PK-85502 SHT 1
95540-6888	559	PK-85502 SHT 3

MATERIAL:  
HOUSING: LCP GLASS FILLED UL 94V0, COLOR: BLACK  
TERMINAL: COPPER ALLOY PLATED WITH:  
BASE FINISH: NICKEL  
CONTACT SURFACE FINISH:  
GOLD  
OR  
GOLD FLASH OVER PALLADIUM NICKEL  
EXCEEDS PRODUCT REQUIREMENTS BASED ON PS-95540-002  
SHIELD: COPPER ALLOY PLATED WITH TIN

REMOVED OPTIONS EC NO: IPG2012-0697 DRAWN BY: CHYKEDUGGAN CHKD: EDOUGAN APPR: EDOUGAN 2012/04/02 2012/04/17 2012/06/26	DESCRIPTION
---	-------------

QUALITY SYMBOLS ▽=0 ▽=0	GENERAL TOLERANCES (UNLESS SPECIFIED)
	mm INCH
	4 PLACES ± --- ± ---
	3 PLACES ± --- ± ---
	2 PLACES ± 0.1 ± ---
	1 PLACE ± 0.15 ± ---
	ANGULAR ± 1/2°
	DRAFT WHERE APPLICABLE MUST REMAIN WITHIN DIMENSIONS

DIMENSION STYLE MM ONLY	SCALE 5:1	DESIGN UNITS METRIC	THIRD ANGLE PROJECTION
DRAWN BY KNOLLER	DATE 04/06/18	TITLE RIGHT ANGLE LOW PROFILE SHIELDED PC JACK (SURFACE MOUNT VERSION)	
CHECKED BY FCARABET	DATE 04/06/28	MATERIAL NO. SEE CHART	
APPROVED BY KNOLLER	DATE 04/06/29	DOCUMENT NO. SD-95540-001	
MATERIAL NO. SEE CHART		SHEET NO. 2 OF 3	
THIS DRAWING CONTAINS INFORMATION THAT IS PROPRIETARY TO MOLEX INCORPORATED AND SHOULD NOT BE USED WITHOUT WRITTEN PERMISSION			