



**Distributor of NorComp : Excellent Integrated System Limited**

Datasheet of 477-025-212R311 - D-Sub Connector Receptacle, Female Sockets 25 Position  
Through Hole Solder

Contact us: [sales@integrated-circuit.com](mailto:sales@integrated-circuit.com) Website: [www.integrated-circuit.com](http://www.integrated-circuit.com)

---

## **Excellent Integrated System Limited**

Stocking Distributor

Click to view price, real time Inventory, Delivery & Lifecycle Information:

[NorComp](#)

[477-025-212R311](#)

For any questions, you can email us directly:

[sales@integrated-circuit.com](mailto:sales@integrated-circuit.com)



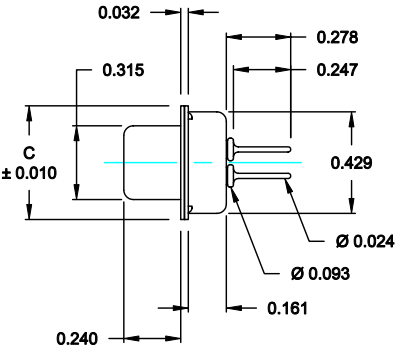
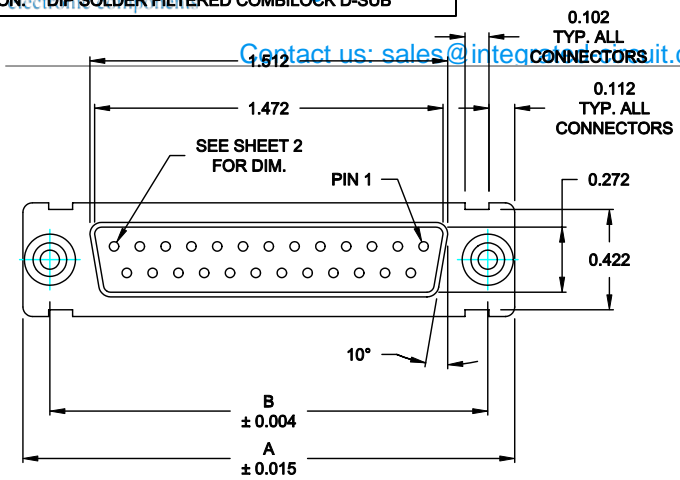
**Distributor of NorComp : Excellent Integrated System Limited**

Datasheet of 477-025-212R311 - D-Sub Connector Receptacle, Female Sockets 25 Position Through Hole Solder

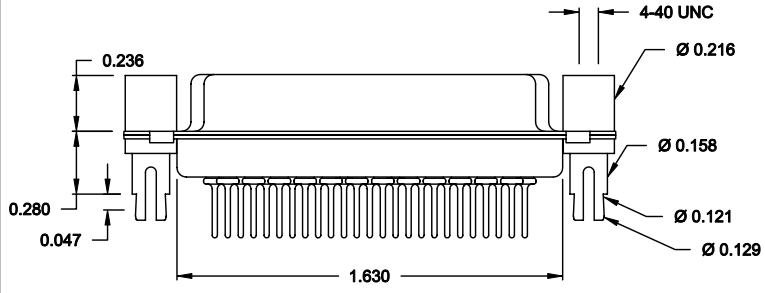
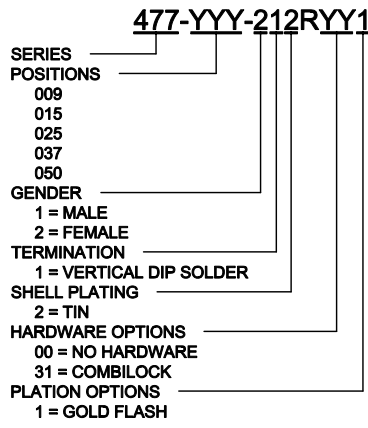
Contact us: sales@integratedcircuit.com Website: www.integrated-circuit.com

DESCRIPTION: DIP SOLDER FILTERED COMBILOCK D-SUB

DIMENSIONS (IN.)			
No. OF PINS	A	B	C
9	1.204	0.984	0.480
15	1.535	1.312	0.480
25	2.078	1.850	0.480
37	2.724	2.500	0.480
50	2.622	2.405	0.598



COMBILOCK NOT SHOWN FOR CLARITY



**SPECIFICATIONS:**

**MATERIALS:**  
 SHELL: STEEL, TIN PLATED  
 INSULATOR: UL 94V-0 RATED PBTP  
 GLASS-FIBER REINFORCED

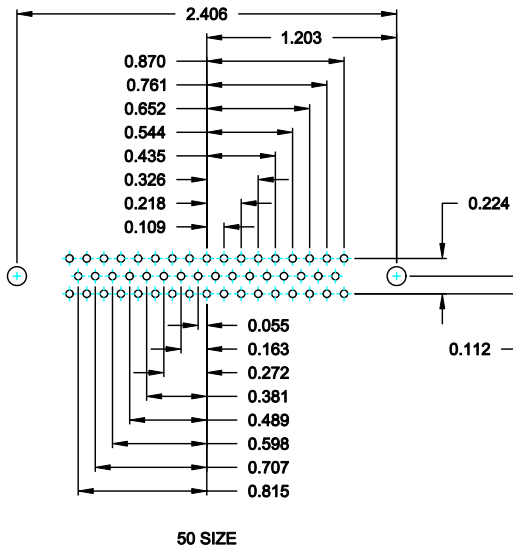
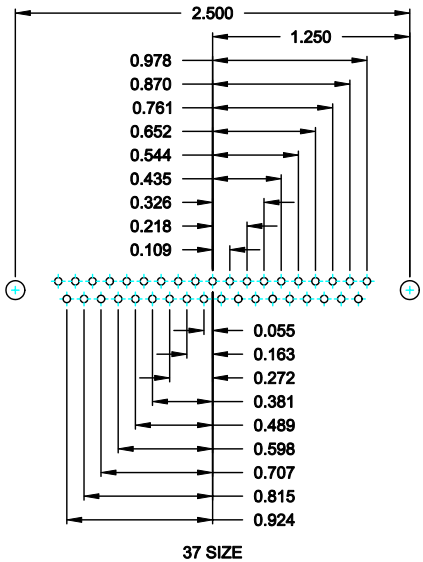
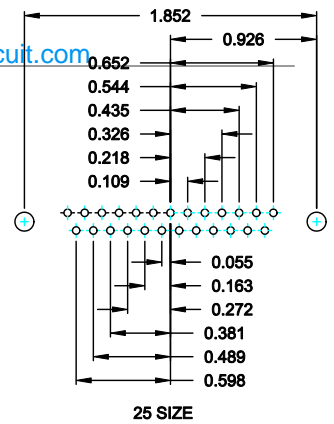
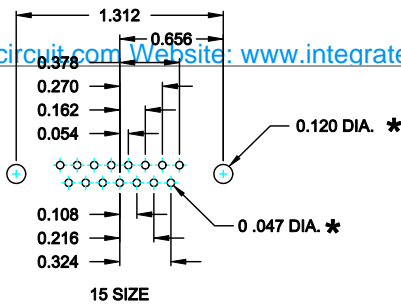
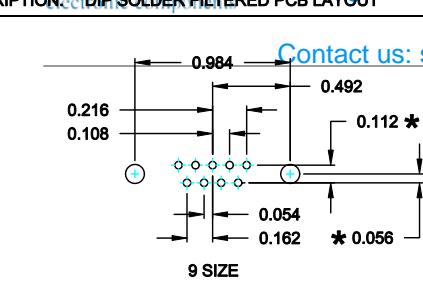
**ELECTRICALS:**  
 INDIVIDUAL CAPACITOR VALUE = 1000 pF  
 OTHER VALUES AVAILABLE: CONSULT FACTORY  
 CURRENT RATING: 5 AMPS  
 CONTACT RESISTANCE: <10 mOHMS  
 INSULATOR RESISTANCE: 1000 OHMS  
 VOLTAGE: 1 KV / AC  
 TEMPERATURE: -55°C TO +125°C

**RoHS COMPLIANT**

	THESE DRAWINGS AND SPECIFICATIONS ARE THE PROPERTY OF NorComp AND SHALL NOT BE REPRODUCED, COPIED OR USED AS THE BASIS FOR THE MANUFACTURE OF SALE OF APPARATUS WITHOUT WRITTEN PERMISSION.		DRAWN: <b>C. SMITH</b>	DATE: <b>10-02-06</b>
			CHECKED: <b>X</b>	DATE: <b>X</b>
	SCALE: <b>N.T.S.</b>	SHEET <b>1</b> OF <b>2</b>	REV <b>1</b>	
<b>NorComp</b>		DWG NO. <b>477-YYY-212RYY1</b>		

DESCRIPTION: DIP SOLDER FILTERED PCB LAYOUT

Contact us: [sales@integrated-circuit.com](mailto:sales@integrated-circuit.com) Website: [www.integrated-circuit.com](http://www.integrated-circuit.com)



\* TYP. ON ALL PATTERNS

	THESE DRAWINGS AND SPECIFICATIONS ARE THE PROPERTY OF NorComp AND SHALL NOT BE REPRODUCED, COPIED OR USED AS THE BASIS FOR THE MANUFACTURE OF SALE OF APPARATUS WITHOUT WRITTEN PERMISSION.		DRAWN: <b>C. SMITH</b>	DATE: <b>10-03-06</b>
			CHECKED: <b>X</b>	DATE: <b>X</b>
<b>NorComp</b>		SCALE: <b>FULL</b>	SHEET <b>2</b>	OF <b>2</b>
		DWG NO. <b>477-YYY-212RYY1</b>		