

## Excellent Integrated System Limited

Stocking Distributor

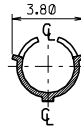
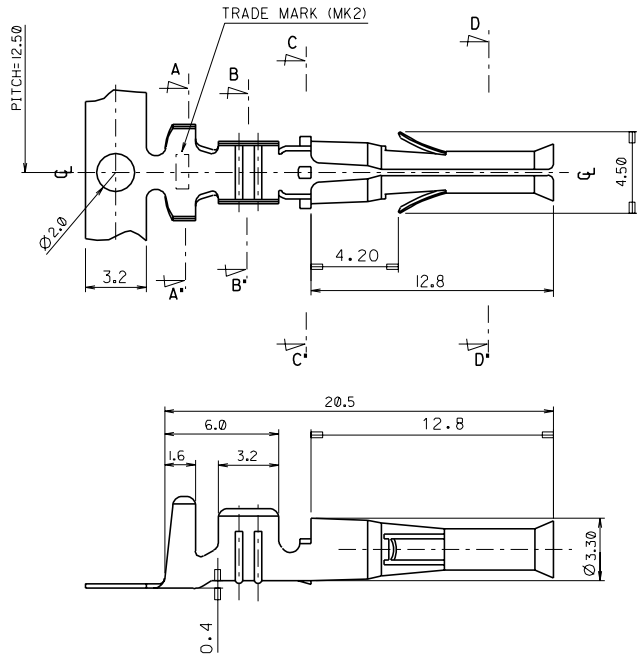
Click to view price, real time Inventory, Delivery & Lifecycle Information:

[Molex Connector Corporation](#)  
[0357280201](#)

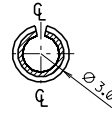
For any questions, you can email us directly:

[sales@integrated-circuit.com](mailto:sales@integrated-circuit.com)

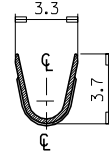
PROJECT NO. DWG. NO. SD-35728-001 SIMILAR ITEM



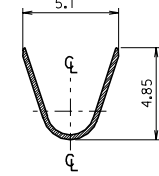
SECTION: C-C'



SECTION: D-D'



SECTION: B-B'



SECTION: A-A'

NOTES

1. MATERIAL: BRASS THICKNESS: 0.25
2. FINISH: PRE-TIN PLATING
6. APPLICABLE HOUSING:  $\varnothing 2.0$  PLUG HOUSING (35143- $\bullet\bullet\bullet\varnothing 1$ , 35144-0401) • MEANS CIRCUIT NO.
7. MATING TERMINAL:  $\varnothing 2.0$  PIN TERMINAL (35727-0201)
8. APPLICABLE WIRE RANGE: AWG #20-#14, INSUL. DIA 1.9-3.4mm

DO NOT SCALE DRAWING DIMENSION IN METRIC

REVISED	EC NO. KOR 1999-0120 DRWN: W.Y. YANG 99.12.31 CHK: APPR:	QUALITY SYMBOLS MAJOR $\nabla = 3$ CRITICAL $\sphericalangle = 0$	GENERAL TOLERANCES: (UNLESS SPECIFIED)		SCALE 5:1	DESIGN UNITS <input checked="" type="checkbox"/> mm <input type="checkbox"/> INCH	THIRD ANGLE PROJECTION <input type="checkbox"/> mm <input type="checkbox"/> INCH <input checked="" type="checkbox"/> mm ONLY	SHT REV REVISE ON CAD ONLY
			4 PLACES $\pm 0.$	$\pm$	DRAWN BY & DATE W.Y. YANG 92/03/04			
			3 PLACES $\pm 0.$	$\pm$	CHECKED BY & DATE B.K. CHOI 92/03/04		MOLEX INCORPORATED KOREA	
			2 PLACES $\pm 0.25$	$\pm$	APPROVED BY & DATE C.W. LEE 92/03/04			MATERIAL NO. SEE CHART
			1 PLACE $\pm 0.25$	$\pm$	CAD FILENAME E7280201.DGN		DRAWING NO. SD-35728-001	
DRAFT WHERE APPLICABLE MUST REMAIN WITHIN DIMENSIONS			ANGULAR $\pm 3^\circ$		THIS DRAWING CONTAINS INFORMATION THAT IS PROPRIETARY TO MOLEX INCORPORATED AND SHOULD NOT BE USED WITHOUT WRITTEN PERMISSION.			SHEET NO. 10F1

MATERIAL NO.	ENG. NO.
357280201	35728-0201