

Excellent Integrated System Limited

Stocking Distributor

Click to view price, real time Inventory, Delivery & Lifecycle Information:

[Schurter](#)
[4803.2200](#)

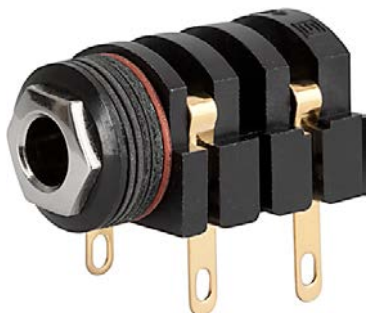
For any questions, you can email us directly:
sales@integrated-circuit.com

Data and Signal Plug/Socket

www.schurter.com/PG12_4

4803.2200

Daten & Signal, Socket, 6.3 mm, 2-pole, solder terminal, shielded



Description

- Solder terminal:
Screw-on mounting, from rear-side
- Data and Signal transfer
- Data and Signal Connectors 2-pole, shielded, straight
- Reinforced gold plating for increased insertions

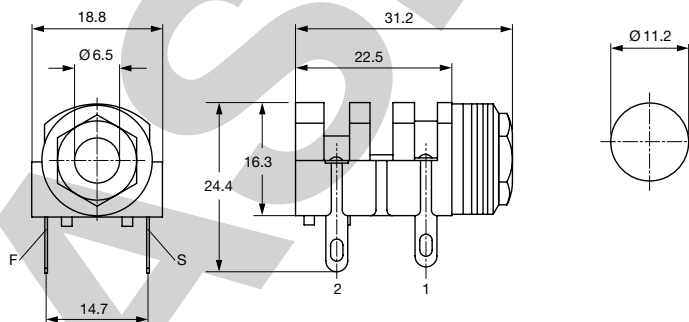
References

Alternative: Housing insulated [4803.2210](#)
Last order date: 30.06.2016

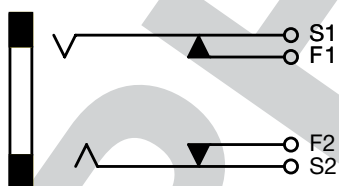
Technical Data

Diameter	6.3 mm	Allowable Operation Temp.	-20 °C to 70 °C
Number of Poles	2-pole	Terminal	solder terminal
Ratings DC	2A / 12VDC	Mounting	Screw-on mounting wall thickness max. 5.0mm
Ratings AC	2A / 12VAC	Housings	screened
Dielectric Strength	1000VDC	Style	straight
Insulation Resistance	> 10000 MΩ @ 500VDC	Lifetime	10000 Insertions

Dimensions



Diagrams



4803.2200

Data and Signal Plug/Socket
www.schurter.com/PG12_4**All Variants**

Product group	Diameter [mm]	Number of Poles	Terminal	Order Number
Data and Signal Plug/ Sockets	6.3	2-pole	solder terminal	4803.2200

Availability for all products can be searched real-time: <http://www.schurter.com/Stock-Check/Stock-Check-SCHURTER>**Packaging unit** 100 Pcs

PHASE-OUT