

## Excellent Integrated System Limited

Stocking Distributor

Click to view price, real time Inventory, Delivery & Lifecycle Information:

[Schurter](#)  
[7091.6110](#)

For any questions, you can email us directly:  
[sales@integrated-circuit.com](mailto:sales@integrated-circuit.com)

Shock-Safe Fuseholder, 5 x 20 mm, Fingergrip, NF



250 VAC · 3.4W/6.3A (NF)



**Description**

- IP 68 from front-side
- Screw type fuse carrier

**Standards**

- NF C 93-436 - Model HB13
- Contrôle de Conformité de Qualité (CCQ)

**References**

General Product Information

**Weblinks**

Approvals, RoHS, CHINA-RoHS, e-Store, SCHURTER-Stock-Check, Distributor-Stock-Check

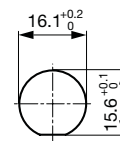
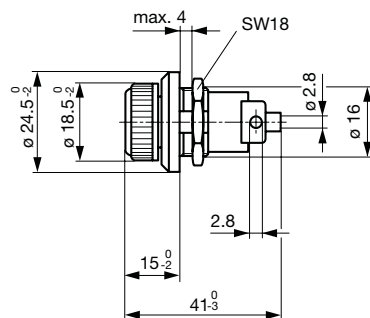
**Technical Data**

Fuse-Link	5 x 20 mm
Mounting	Panel Mount, Front-Side
Fastening	Fixing Nut
Terminal	Solder
Rated Voltage	250VAC
Rated Current	6.3A (NF)
Rated Power Acceptance IEC	3.4W / 6.3A @ Ta 23°C
Degree of Protection	IP 68
Admissible Ambient Air Temp.	-40°C to 125°C
Climatic Category	40/125/56 acc. to IEC 60068-1
Material: Socket	Thermoset, black
Unit Weight (Socket/Cap)	25 g
Storage Conditions	0°C to 60°C, max. 70% r.h.
Product Marking	☐, Type, Voltage Rating, Current Rating

Soldering Methods	Iron
Resistance to Vibration	acc. to NF C 20-706 / IEC 60068-2-6, test Fc
Shocks	acc. to NF C 20-706 / IEC 60068-2-27
Bumps	acc. to NF C 20-729 / IEC 60068-2-29
Salt Mist	acc. to NF C 20-711 / IEC 60068-2-11
Dump Heat	acc. to NF C 20-604
Climatic Composite	acc. to NF C 20-619 Phase D
Admissible Torque on Fixing Nut	max 1.0Nm
Panel Thickness s	max 4 mm

**Dimensions**

Length |-----| 41 mm



Mounting holes

**Variants**

Holder	Cap	Degree of Protection	Order Number
●	Fingergrip	IP 68	7091.6110

Distributor-Stock-Check | SCHURTER-Stock-Check | e-Store

**Packaging Unit**

Bulk (10 pcs.)