



Excellent Integrated System Limited

Stocking Distributor

Click to view price, real time Inventory, Delivery & Lifecycle Information:

[PUI Audio, Inc.](#)
[AS10308PS-R](#)

For any questions, you can email us directly:
sales@integrated-circuit.com

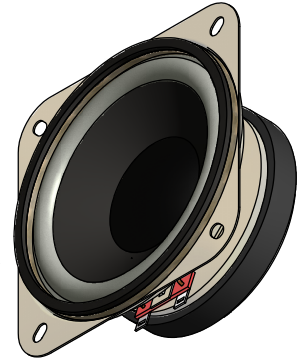
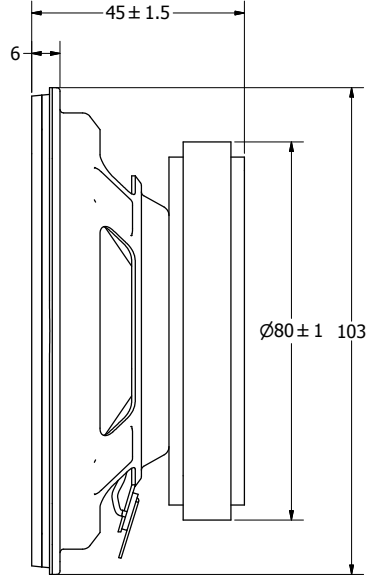
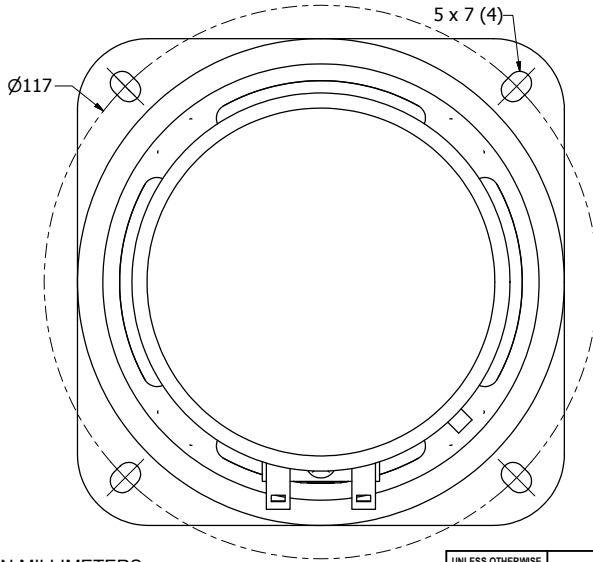
SPECIFICATIONS

PARAMETERS	VALUES	UNITS
RATED INPUT POWER	15	W
MAX INPUT POWER	20	W
IMPEDANCE	8 ± 15%	OHM
OUTPUT SPL @ 1W/1M (AT 0.8, 1.0, 1.2, 1.5 kHz)	93 ± 3	dB
DISTORTION (MAX.)	7%	-
RESONANT FREQUENCY	170 ± 20%	Hz
FREQUENCY RANGE	170 ~ 15,000	Hz
HOUSING MATERIAL	METAL	-
CONE MATERIAL	PAPER	-
MAGNET MATERIAL	FERRITE	-
OPERATING TEMPERATURE	-40 ~ +85	°C
WEIGHT	476	grams

THIS DOCUMENT CONTAINS DATA PROPRIETARY TO PROJECTS UNLIMITED, INC. ANY USE OR REPRODUCTION, IN ANY FORM, WITHOUT PRIOR WRITTEN PERMISSION OF PROJECTS UNLIMITED, INC. IS PROHIBITED.
©2003, Projects Unlimited Inc.

REVISION HISTORY

LTR	DESCRIPTION	DATE	APPROVED
-	RELEASED FROM ENGINEERING	7/05/2006	B.R.
A	REVISED OPERATING TEMPERATURE	9/29/2006	B.R.
B	REVISED TO INVENTOR 3-D DRAWING TEMPLATE	2/04/2009	B.R.



NOTES:


1. ALL DIMENSIONS ARE IN MILLIMETERS.
2. SPECIFICATIONS SUBJECT TO CHANGE OR WITHDRAWL WITHOUT NOTICE.
3. THIS PART IS RoHS 2002/95/EC COMPLIANT.

UNLESS OTHERWISE SPECIFIED:
DIMENSIONS ARE IN MILLIMETERS,
TOLERANCES ARE ±0.5 AND ANGLES ARE ±3°.

SIZE
A3

AS10308PS-R.idw

Designed by	Date	Checked by	Date	Approved by	Date	Drawn Date
J.D.	7/5/2006	E.P.	7/5/2006	B.R.	7/5/2006	2/4/2009



pui audio
A Division of Projects Unlimited

AS10308PS-R

Speaker

Edition	Sheet
-	1 / 1