



Excellent Integrated System Limited

Stocking Distributor

Click to view price, real time Inventory, Delivery & Lifecycle Information:

[PUI Audio, Inc.](#)
[POM-2742P-C10-R](#)

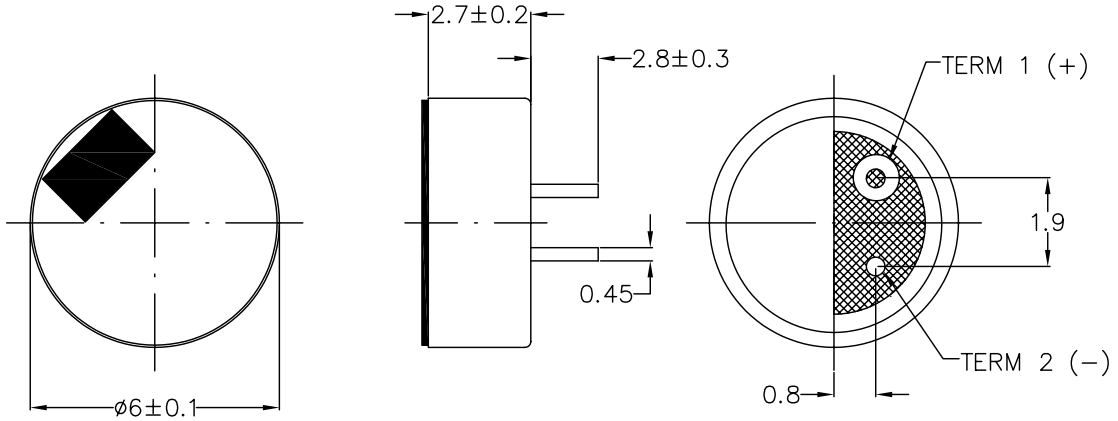
For any questions, you can email us directly:
sales@integrated-circuit.com

THIS DOCUMENT CONTAINS DATA PROPRIETARY TO PROJECTS UNLIMITED, INC. ANY USE OR REPRODUCTION, IN ANY FORM, WITHOUT PRIOR WRITTEN PERMISSION OF PROJECTS UNLIMITED, INC. IS PROHIBITED.
 © 2003, Projects Unlimited Inc.

SPECIFICATIONS

| PARAMETERS | VALUES | UNITS |
|----------------------------|--------|-------|
| DIRECTIVITY | OMNI | - |
| SENSITIVITY (0 dB=1 V/Pa) | -42±3 | dB |
| STANDARD OPERATING VOLTAGE | 3 | Vdc |
| MAX OPERATING VOLTAGE | 10 | Vdc |
| CURRENT CONSUMPTION MAX | 0.5 | mA |
| IMPEDANCE | 2.2 | kOhm |
| SIGNAL TO NOISE RATIO | 60 | dB |
| TERMINAL | PIN | - |
| INTERNAL CAPACITOR | 10 | pF |

| REVISIONS | | | |
|-----------|---------------------------|--------|----------|
| LTR | DESCRIPTION | DATE | APPROVED |
| - | RELEASED FROM ENGINEERING | 7/5/06 | |



NOTES:

1. ALL DIMENSIONS ARE IN MILLIMETERS.
2. SPECIFICATION SUBJECT TO CHANGE OR WITHDRAWAL WITHOUT NOTICE.
3. THIS PART IS RoHS 2002/95/EC COMPLIANT.
4. CLOTH OVER FACE IS IP51 RATED.

FILE NAME
 POM-2742P-C10-R.DWG

| UNLESS OTHERWISE SPECIFIED: DIMENSIONS ARE IN MILLIMETERS. TOLERANCES ARE ± 0.5 AND ANGLES ARE $\pm 3^\circ$. | | projects [®] unlimited Dayton, Ohio | | | | | | | | | |
|---|------|---|--------------|------------|------|--------------|------|---------------|------|--|--|
| <table border="1"> <thead> <tr> <th>APPROVALS</th> <th>DATE</th> </tr> </thead> <tbody> <tr> <td>DRAWN J.D.</td> <td>7/06</td> </tr> <tr> <td>CHECKED E.P.</td> <td>7/06</td> </tr> <tr> <td>APPROVED B.R.</td> <td>7/06</td> </tr> </tbody> </table> | | APPROVALS | DATE | DRAWN J.D. | 7/06 | CHECKED E.P. | 7/06 | APPROVED B.R. | 7/06 | MICROPHONE DRAWING NO. POM-2742P-C10-R | |
| APPROVALS | DATE | | | | | | | | | | |
| DRAWN J.D. | 7/06 | | | | | | | | | | |
| CHECKED E.P. | 7/06 | | | | | | | | | | |
| APPROVED B.R. | 7/06 | | | | | | | | | | |
| DO NOT SCALE DRAWING | | SIZE A | SHEET 1 OF 1 | | | | | | | | |