

Excellent Integrated System Limited

Stocking Distributor

Click to view price, real time Inventory, Delivery & Lifecycle Information:

[Hirose Electric Co Ltd](#)
[W.FL-2LPG-062N2D-A-\(40\)](#)

For any questions, you can email us directly:
sales@integrated-circuit.com

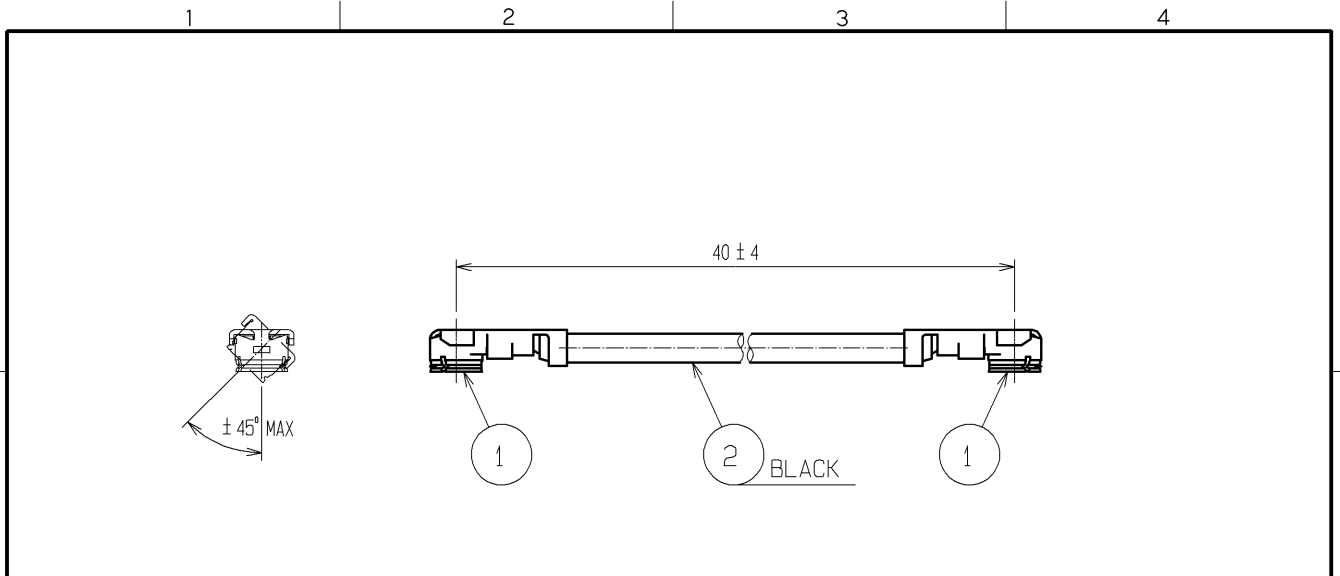
2009/02/24 06:48:41 CAROL, TRIBBLE

DRAWING FOR REFERENCE: This is subject to change without notice

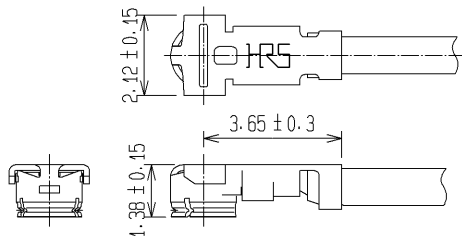
APPLICABLE STANDARD						
RATING	OPERATING TEMPERATURE RANGE	-40°C TO +90°C(90%RH MAX)	STORAGE TEMPERATURE RANGE	-40°C TO +90°C(90%RH MAX)		
	POWER	————W	CHARACTERISTIC IMPEDANCE	50Ω (0 TO 6GHz)		
	PECULIARITY	————	APPLICABLE CABLE	RF-MF5023 (BLACK) : NISSEI ELECTRIC CO.,LTD.		
SPECIFICATIONS						
ITEM	TEST METHOD		REQUIREMENTS	QT	AT	
CONSTRUCTION						
GENERAL EXAMINATION	VISUALLY AND BY MEASURING INSTRUMENT.		ACCORDING TO DRAWING.	X	X	
MARKING	CONFIRMED VISUALLY.			X	X	
ELECTRIC CHARACTERISTICS						
CONTACT RESISTANCE	10 mA MAX (DC OR 1000 Hz).		CENTER CONTACT	7.3 mΩ MAX.	X	X
			OUTER CONTACT	2.8 mΩ MAX.	X	X
INSULATION RESISTANCE	100 V DC.		500 MΩ MIN.		X	X
VOLTAGE PROOF	200 V AC FOR 1 min.CURRENT LEAKAGE 2mA MAX.		NO FLASHOVER OR BREAKDOWN.		X	X
VOLTAGE STANDING WAVE RATIO	FREQUENCY 0.045 TO 3 GHz.		VSWR	1.3 MAX.	X	—
	FREQUENCY 3 TO 6 GHz.		VSWR	1.4 MAX.		
INSERTION LOSS	FREQUENCY ----- TO ---- GHz		----- dB MAX.		—	—
MECHANICAL CHARACTERISTICS						
CABLE CLAMP ROBUSTNESS (AGAINST CABLE PULL)	APPLYING A PULL FORCE THE CABLE AXIALLY AT 7N MAX.		① NO WITHDRAWAL AND BREAKAGE OF CABLE. ② NO BREAKAGE OF CLAMP.		X	—
	COUNT	DESCRIPTION OF REVISIONS	DESIGNED	CHECKED	DATE	
④						
REMARK			APPROVED	MH. YAMANE	08.06.06	
NOTE ① VSWR was measured with SMA conversion adapters			CHECKED	NK. NINOMIYA	08.06.06	
Attached to both ends of the applicable 100 cm cable assembled.			DESIGNED	YK. YASUMURO	08.06.03	
Unless otherwise specified, refer to JIS C 5402.			DRAWN	YI. FUNADA	08.05.26	
Note QT:Qualification Test AT:Assurance Test X:Applicable Test			DRAWING NO.		ELC4-311407-02	
HRS	SPECIFICATION SHEET		PART NO.	W. FL-2LPG-062N2D-A-(40)		
	HIROSE ELECTRIC CO., LTD.		CODE NO.	CL321-3828-8-02		1/1

2009/02/24 06:48:41 CAROL, TRIBBLE

DRAWING FOR REFERENCE: This is subject to change without notice



[DIMENSIONS CONNECTOR]



[PRECAUTIONS FOR HANDLING]

◆Connector insertion and extraction
 a. Connector shall be extracted vertically by specialised extraction JIG.
 Part No. : W.FL-LP-N
 Never hold the cable when extracting the cable because it damages the connector.
 b. Insert the connector as perpendicularly to the mating surface as possible by aligning the mating axes of both connectors. Do not excessively slant the connectors when inserting.

◆Allowable loads on the cable after the connectors are mated.
 The figures below show the maximum allowable loads on the cable. Do not apply loads exceeding these values to the cable.

RoHS COMPLIANT

1	W.FL-LP(G)-062	CL331-0477-6	2	RF-MF5023(BLACK)	NISSEI ELECTRIC CO.,LTD.
NO.	PART NO	CODE NO	NO.	PART NO	MANUFACTURER

UNITS mm		SCALE FREE		COUNT	DESCRIPTION OF REVISIONS	DESIGNED	CHECKED	DATE
-------------	--	---------------	--	-------	--------------------------	----------	---------	------

	HIROSE ELECTRIC CO., LTD.	APPROVED : MH. YAMANE	08.06.06	DRAWING NO.	EDC4-311407-02
		CHECKED : NK. NINOMIYA	08.06.06	PART NO.	W.FL-2LPG-062N2D-A-(40)
		DESIGNED : YK. YASUMURO	08.06.03	CODE	