

Excellent Integrated System Limited

Stocking Distributor

Click to view price, real time Inventory, Delivery & Lifecycle Information:

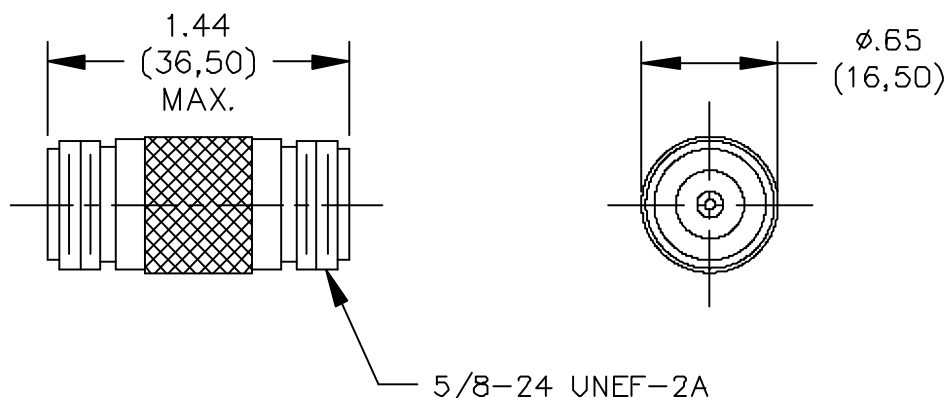
[Pomona Electronics](#)
[3841](#)

For any questions, you can email us directly:

sales@integrated-circuit.com

Pomona®

**Model 3841
 Adapter, N (F) To N (F)**



MATERIALS:

- Body and Fittings – Brass, White Bronze Plating
- Center Contact – Gold Plated Beryllium Copper
- Connector meets the interface requirements of MIL-STD-348.

Finish:

- Body and Fittings – White Bronze Plating
- Center Contact – Gold 30 microinches minimum over nickel 50 microinches.

RATINGS:

- Operating Voltage: 1000 VRMS
- Nominal Impedance: 50 Ohms
- Dielectric – PTFE

ORDERING INFORMATION: Model 3841

All dimensions are in inches. Tolerances (except noted): .xx = ±.02" (.51 mm), .xxx = ±.005" (.127 mm).
 All specifications are to the latest revisions. Specifications are subject to change without notice.
 Registered trademarks are the property of their respective companies.

Made in USA