



Distributor of Pomona Electronics: Excellent Integrated System Limited

Datasheet of 5016# - DIP REMOVER SIZE 16 BULK PK

Contact us: sales@integrated-circuit.com Website: www.integrated-circuit.com

Excellent Integrated System Limited

Stocking Distributor

Click to view price, real time Inventory, Delivery & Lifecycle Information:

[Pomona Electronics](#)
[5016#](#)

For any questions, you can email us directly:

sales@integrated-circuit.com

Pomona®

DIP CLIPS 8 through 40 pins and 8 through 40 pin DIP Removers

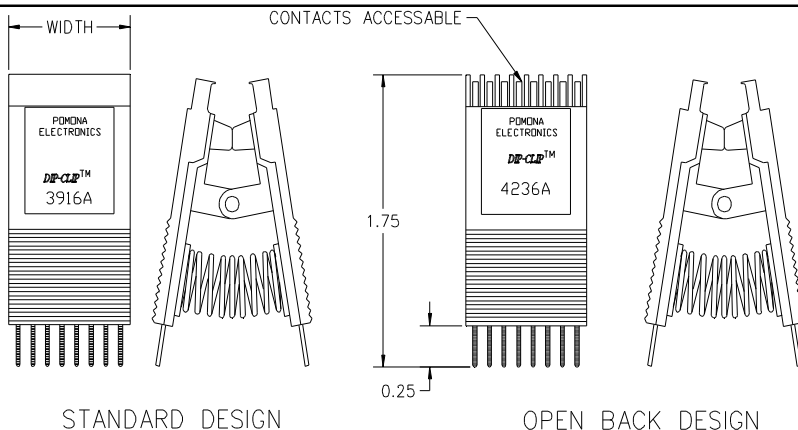
ITT Pomona DIP Clip® test clips are designed for testing dual-in-line IC packages on PC boards. These devices incorporate many built-in features that assure a positive electrical connection as well as hands free testing.

- ▢ Contacts (.040" wide on lower end) are serrated for the best electrical contact.
- ▢ .025" X .028" serrated test points on upper end will accept wire wraps or mini test clips.
- ▢ Molded barriers between contacts allows live board connections without accidental shorting of contacts.
- ▢ Can also be used as an insertion tool for DIPs.

▢ Contacts are spring tempered Nickel Silver or Gold Plated Beryllium Copper alloy. Oxide penetrating clips have a roughened stainless steel surface treatment.

▢ Open back option allows probing on the chip leads while clip is attached.

Pomona's DIP Clip® test clips are perfect for emulation, field service, failure analysis, and for use with logic analyzers.



Size Pins	Clip Width	Standard DIP Clip®	Open Back DIP Clip®	Contact Material and Plating	Oxide Penetrating DIP Clip®	Static Control DIP Remover
8	.43	5108	5208	Be-Cu, Gold Plate	5649	5016
14	.72	5014	5114	Nickel Silver	5650	5016
		5214	5314	Be-Cu, Gold Plate	5650	5016
16	.83	3916A	4236A	Nickel Silver	5692	5016
		5116	5216	Be-Cu, Gold Plate	5692	5016
20	1.03	5120	5220	Be-Cu, Gold Plate	5693	5016
24	1.22	4124A	4324A	Nickel Silver	5694	5024
		5124	5224	Be-Cu, Gold Plate	5694	5024
40	2.02	4140A	4340A	Nickel Silver	5695	5040
		5140	5240	Be-Cu, Gold Plate	5695	5040

Made in USA