

## Excellent Integrated System Limited

Stocking Distributor

Click to view price, real time Inventory, Delivery & Lifecycle Information:

[Energizer Battery Company](#)  
[AC675-4AP](#)

For any questions, you can email us directly:

[sales@integrated-circuit.com](mailto:sales@integrated-circuit.com)

**PRODUCT DATASHEET**



1-800-383-7323 USA/CAN  
 www.energizer.com

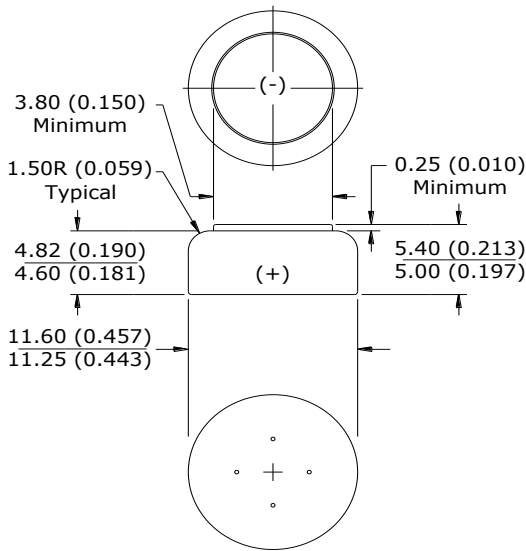
**ENERGIZER 675 size**



(top view) (bottom view)

**Industry Standard Dimensions**

mm (inches)



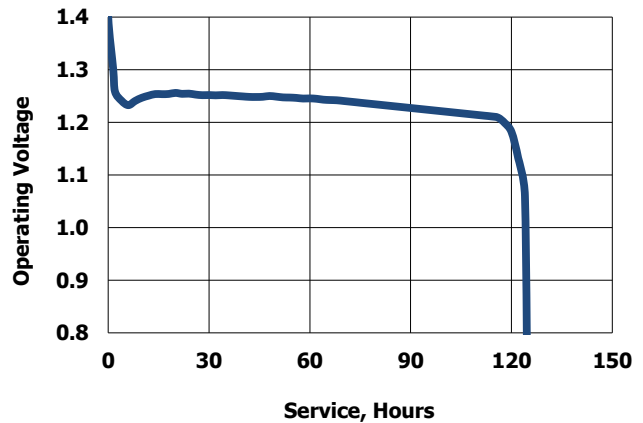
**ZEROMERCURY<sup>®</sup> ZnAir**

**Specifications**

<b>Chemical System:</b>	Zinc Air (Zn/O <sub>2</sub> )
<b>Tab Color:</b>	Blue
<b>Designation:</b>	ANSI-7003ZD, IEC-PR44
<b>Nominal Voltage:</b>	1.4 Volts
<b>Typical Capacity:</b>	620 mAh (to 0.9 volts) (Rated at 625 ohms at 21°C/50% RH)
<b>Typical Weight:</b>	1.9 grams (0.1 oz.)
<b>Typical Volume:</b>	0.5 cubic centimeters (0.03 cubic inch)

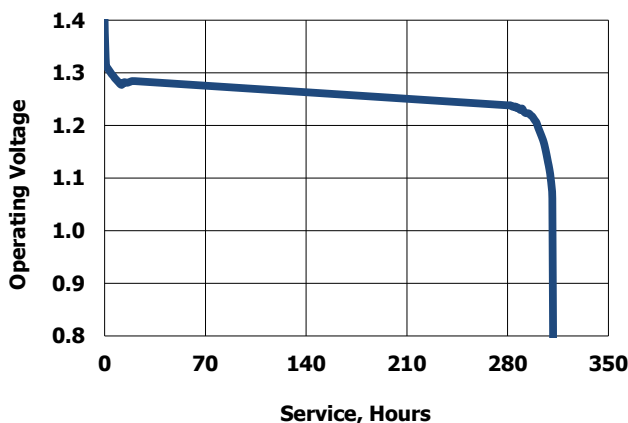
**Typical Discharge Characteristics**

**IEC Industry Standards / Standard Test Protocol**  
 (15/5 mA .1S/1H59M 59.9S 12H at 21C)



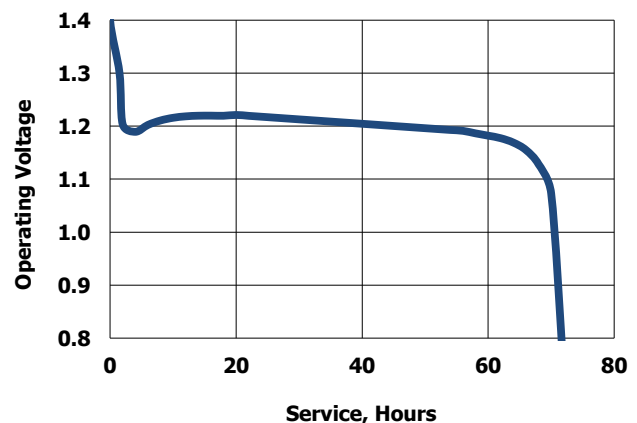
**Typical Discharge Characteristics**

**ANSI/IEC Industry Standards / Intermittent Test Protocol**  
 (620 ohm 12 hours per day at 21C)



**Typical Discharge Characteristics**

**IEC Industry Standards / High Drain Test Protocol**  
 (24/8 mA .1S/1H59M 59.9S 12H at 21C)



**Important Notice**

This data sheet contains typical information specific to products manufactured at the time of its publication.  
 ©Energizer Brands, LLC - Contents herein do not constitute a warranty.