

## Excellent Integrated System Limited

Stocking Distributor

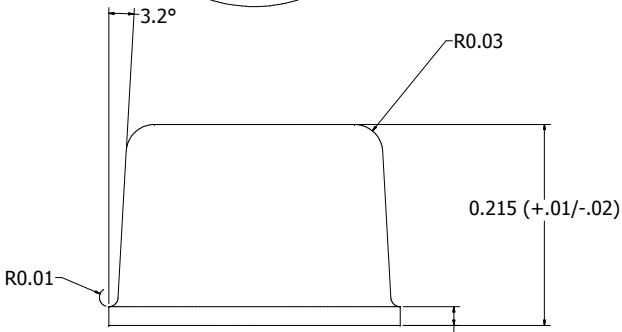
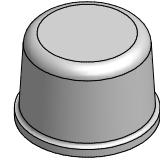
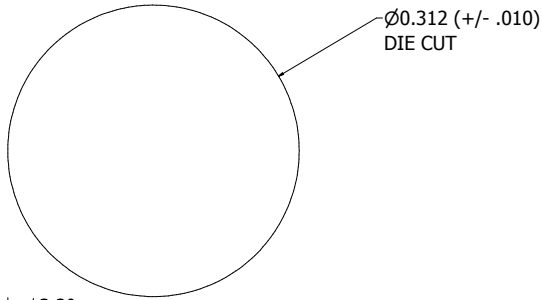
Click to view price, real time Inventory, Delivery & Lifecycle Information:

[3M](#)

[SJ61A6](#)

For any questions, you can email us directly:

[sales@integrated-circuit.com](mailto:sales@integrated-circuit.com)



0.020 - THIS DIMENSION INCLUDES SCREED AND ADHESIVE. IT DOES NOT INCLUDE THE LINER.

8 X 18 LAYOUT  
.428 X .428 OFFSET

REV	PROJECT ID	DATE	DESCRIPTION	BY	CHKD
A		3/1/2006			

DATE	SCALE	TOLERANCES	STRETCH	DATE
3/1/2006	NONE	UNLESS SPECIFIED OTHERWISE		

INSURANCE FIRM	APRIL 1976 - 2006			
ALL SURFACES				
<input type="checkbox"/>				
<input checked="" type="checkbox"/> HANDED UNIT				

3M	INSURANCE FIRM	BLOCK NO.	DATE

**SJ61A6**  
CUSTOM MAKER

**USA**

12-2907-5747-0 1 OF 1