

## Excellent Integrated System Limited

Stocking Distributor

Click to view price, real time Inventory, Delivery & Lifecycle Information:

[Honeywell Sensing and Productivity Solutions](#)  
[XCA415DN](#)

For any questions, you can email us directly:

[sales@integrated-circuit.com](mailto:sales@integrated-circuit.com)

**SERIES**  
AMPLIFIED (4V SPAN)

**DESIGNATION PRESSURE**  
L - LOW PRESSURE (IN H<sub>2</sub>O)  
NO DESIGNATION (PSI)

**PRESSURE RANGE**  
004, 010  
00.3 01, 05, 15, 30,  
60, 100, 150 PSI

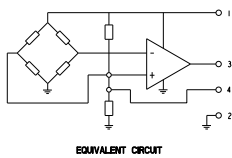
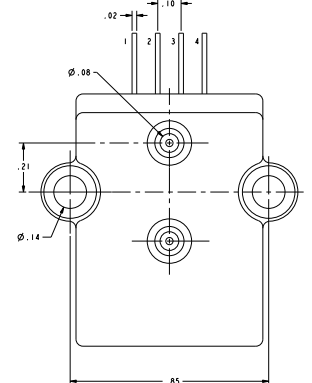
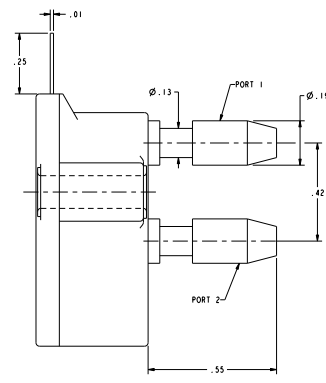
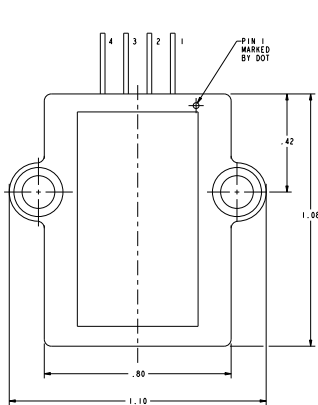
**PACKAGE TYPE**  
N - PLASTIC

**PRESSURE REFERENCE**  
G - GAGE  
D - DIFFERENTIAL  
A - ABSOLUTE +25 PSIA

**NOTES**  
 ALL PARAMETERS ARE MEASURED AT 5.0 VOLT EXCITATION, FOR THE NOMINAL FULL SCALE PRESSURE AND ROOM TEMPERATURE UNLESS OTHERWISE SPECIFIED. PRESSURE MEASUREMENTS ARE WITH POSITIVE PRESSURE APPLIED TO PORT 2 OR VACUUM TO PORT 1. FOR ABSOLUTE DEVICES PRESSURE IS APPLIED TO PORT 1.  
 SHIFT IS RELATIVE TO 25°C  
 LINEARITY IS DETERMINED USING BEST STRAIGHT LINE CURVE FIT THROUGH ZERO, 1/2 FULL SCALE, AND FULL SCALE; HYSTERESIS IS MECHANICAL ONLY  
 PROOF PRESSURE SHOULD NOT EXCEED 100 PSI AND BURST PRESSURE SHOULD NOT EXCEED 300 PSI  
 H<sub>2</sub>O SPAN IS THE ALGEBRAIC DIFFERENCE OF OFFSET VOLTAGE AND HI OR LO OUTPUTS  
 SPAN IS THE ALGEBRAIC DIFFERENCE OF OUTPUT END POINTS  
 PRESSURE RANGE DENOTES THE FULL SCALE PRESSURE OF THE SENSOR  
 FS REPRESENTS THE OUTPUT VALUE AT FULL SCALE PRESSURE

SPECIFICATIONS					
PARAMETER	MIN	NOM	MAX	UNITS	
DIFFERENTIAL (OFFSET VOLTAGE (OUTPUT AT 0 PSID))	HI SPAN (P <sub>2</sub> > P <sub>1</sub> )	2.200	2.250	2.300	V
	LO SPAN (P <sub>2</sub> > P <sub>1</sub> )	-1.950	-2.000	-2.050	V
	H <sub>2</sub> O SPAN (HI SPAN - LO SPAN)	---	4.000	---	V
GAGE (OFFSET VOLTAGE (OUTPUT AT 0 PSIG))	HI SPAN (P <sub>2</sub> > P <sub>1</sub> )	0.200	0.250	0.300	V
	LO SPAN (P <sub>2</sub> > P <sub>1</sub> )	-0.200	-0.250	-0.300	V
	H <sub>2</sub> O SPAN (HI SPAN - LO SPAN)	---	0.500	---	V
ABSOLUTE (OFFSET VOLTAGE (OUTPUT AT 0 PSIA))	HI SPAN (PRESSURE APPLIED TO P1)	0.200	0.250	0.300	V
	LO SPAN (PRESSURE APPLIED TO P1)	-0.200	-0.250	-0.300	V
	H <sub>2</sub> O SPAN (HI SPAN - LO SPAN)	---	0.500	---	V
EXCITATION VOLTAGE	3.0	5.0	10.0	V	
TC OFFSET (0°C-50°C)	---	±0.6	±1.0	%FS	
LINEARITY AND HYSTERESIS	---	±0.3	±0.5	%FS	
REPEATABILITY	---	±0.1	---	%FS	
STORAGE TEMPERATURE RANGE	-40	---	125	°C	
PROOF PRESSURE (VERIFIED BY DESIGN)	---	3X	---	FS	
BURST PRESSURE (VERIFIED BY DESIGN)	---	5X	---	FS	

**MEDIA CAPABILITY, WETTED MATERIALS**  
 (APPLY CLEAN DRY AIR ONLY)  
 PORT 1 SILICON DIAPHRAGM, GLASS  
 PORT 2 FILLED NYLON, AND ALUMINA  
 (HIGH)  
 PORT 1 SILICON DIAPHRAGM, GLASS,  
 PORT 2 FILLED NYLON, AND ALUMINA  
 (LOW)



EQUIVALENT CIRCUIT

PIN OUT	
1	V <sub>EXCITATION</sub>
2	COMMON
3	V <sub>OUTPUT</sub>
4	V <sub>OFFSET</sub>

**CATALOG LISTINGS**

XCA400 3GN
XCA401GN
XCA405GN
XCA415GN
XCA460GN
XCA4100GN
XCA4150GN
XCA405AN
XCA415AN
XCA460AN
XCA4100AN
XCA4150AN
XCA405DN
XCA415DN
XCA460DN
XCA4100DN
XCA4150DN
XCA400 1DN
XCA405DN
XCA415DN
XCA460DN
XCA4100DN
XCA4150DN

SHEET 07/07/07		SHEET 08/07/07		DRAWN SAV		CHECK SAV		DATE 07/07/07	
SPECIFIED TOLERANCES ARE:		±0.00	±0.01	±0.02	±0.03	±0.04	±0.05	±0.10	±0.15
NO. PLACES	1	2	3	4	5	6	7	8	9
THREE PLACES	XXX	---	---	---	---	---	---	---	---
THIS DRAWING COVERS A PROPRIETARY ITEM AND IS THE PROPERTY OF HONEYWELL. THIS DRAWING IS NOT TO BE COPIED OR USED WITHOUT THE PERMISSION OF HONEYWELL.									
THIRD ANGLE PROJECTION		TITLE		PRESSURE SENSOR		Dwg. TYPE		PART	
PTC 3D		ASME Y14.5M-1994		SCALE		5:1		WEIGHT	
								XCA4/XCAL4 SERIES CHART 1	
								SHEET 1 OF 1	