

Excellent Integrated System Limited

Stocking Distributor

Click to view price, real time Inventory, Delivery & Lifecycle Information:

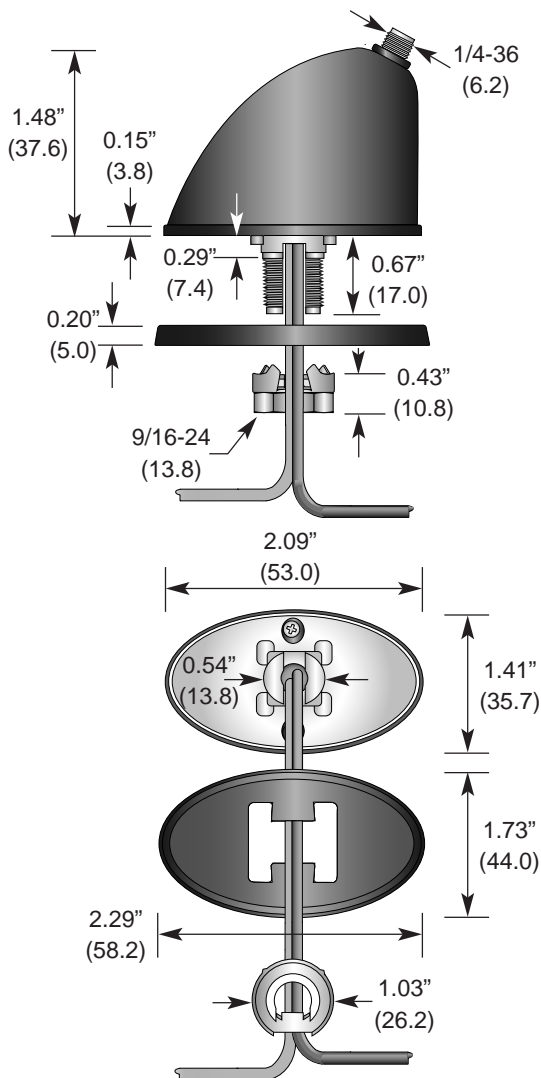
[Linx Technologies](#)
[ANT-DB2-RMG-RP-RP-SM](#)

For any questions, you can email us directly:
sales@integrated-circuit.com



ANT-DB2-RMG-xx-yy-zz DATA SHEET

Product Dimensions



Description



The RMG Series combines a high-performance internal GPS antenna with a connector for mounting a secondary antenna. A wide range of connectorized antennas can be attached, enabling the coverage of all popular frequencies. The GPS antenna and connector are housed in a sleek, durable base intended for permanent through-hole mounting. A separate cable is provided for each antenna and each may be terminated in a variety of standard or custom connector types. The cables feed through a threaded metal post with a flexible compression gasket, which resists the intrusion of water or dirt, and protects the attachment surface. The antenna is ideal for vehicular applications, although its range of applications is virtually unlimited.

Features

- On-board amplified GPS antenna
- Connector for second antenna element
- Wide range of secondary frequencies
- Rugged and water-resistant
- Separate RG-174 cables for each antenna
- Threaded metal stud mount
- Standard and custom cable terminations

Specifications

- INTERNAL GPS ANTENNA**
- Frequency 1575.42MHz
 - Polarization RHCP (Right-Hand Circular)
 - Gain 27dBi typical
 - Noise Figure 1.2 max.
 - VSWR <2.0:1
 - Impedance 50 ohms
 - Operating Voltage 2.7 to 5.5VDC
 - Power Consumption 15-20mA
 - Operating Temperature -35 to +85 degrees Celsius
 - Storage Temperature -40 to +95 degrees Celsius
 - Cable 5m RG-174

- EXTERNAL ANTENNA**
- Base Connector RP-SMA or SMA
 - Cable 5m RG-174
- External antenna characteristics are dependant upon the element chosen

Ordering Information

- ANT-DB2-RMG-xx-yy-zz

External antenna connection	RP-SMA (RP)* or SMA (SM)*	↑
External antenna cable termination	RP-SMA (RP)*, SMA (SM), or MCX (MC)	↑
Internal GPS cable termination	SMA (SM)*, MCX (MC), or FME (F)	↑

* Standard

