

Excellent Integrated System Limited

Stocking Distributor

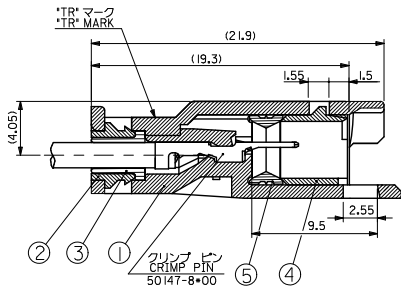
Click to view price, real time Inventory, Delivery & Lifecycle Information:

[Molex Connector Corporation](#)
[0522660417](#)

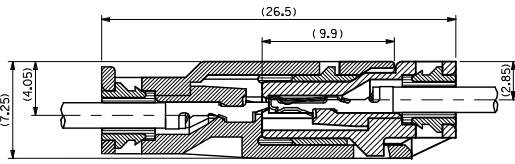
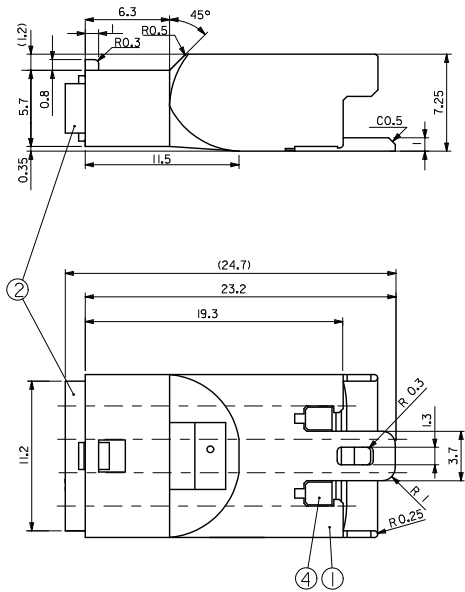
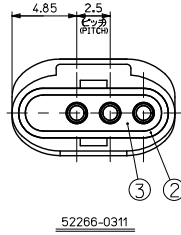
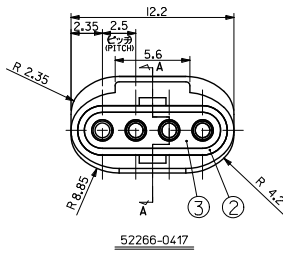
For any questions, you can email us directly:

sales@integrated-circuit.com

13 12 11 10 9 8 7 6 5 4 3 2 1



断面A-A (端子装着状態時)
SECT.A-A(TERM.ASSEMBLY DRAWING)



嵌合状態時
FULLY MATED CONDITION

注 記
NOTE

1. 適合端子: 50147-8*00
APPLICABLE TERMINAL: 50147-8*00
2. 適合端子: 52213-**1*
MATES WITH: 52213-**1*
3. 製品仕様書: PS-52213-003
PRODUCT SPECIFICATION: PS-52213-003
4. 取扱説明書: AS-52213-001
APPLICATION SPECIFICATION: AS-52213-001

黒 BLACK	52266-0311	3
茶 BROWN	52266-0417	4
ハウジングの色 HSG COLOR	製品番号 MATERIAL NO.	種別 No. OF CRT.

材料 MATERIAL	色 COLOR	名称 TITLE	部品番号 COMPONENTS
シリコン SILICONE	青 BLUE	SEAL	⑤
ポリエステル (15%G.F.) POLYESTER (15%G.F.)	灰 GRAY	SEAL STOPPER	④
シリコン SILICONE	青 BLUE	WIRE END SEAL	③
ポリエステル (15%G.F.) POLYESTER (15%G.F.)	灰 GRAY	CAP	②
ポリエステル (15%G.F.) POLYESTER (15%G.F.)	茶 BROWN	PLUG HOUSING	①

REVISED EC NO.: JTR2012-0084 DRAWN BY: M.SANO CHKD BY: CHIKO-SANO APPR. BY: MAMOTO DATE: 2012/07/28 2012/03/02 2012/03/16	GENERAL TOLERANCES (UNLESS SPECIFIED)		DIMENSION STYLE MM ONLY	SCALE 5:1	DESIGN UNITS METRIC	THIRD ANGLE PROJECTION
	10 UNDER	± 0.2	DRAWN BY M. SANO	DATE 1991/07/17	TITLE 2.5 MINI WATERPROOF CONN PLUG HSG ASSY (3 AND 4 (KT.))	
	10 OVER 30 UNDER	± 0.25	CHECKED BY M. SAKANO	DATE 1993/11/09	MATERIAL NO. SD-52266-002	
	30 OVER	± 0.3	APPROVED BY MENOMOTO	DATE 1993/11/09	SHEET NO. 1 OF 1	
ANGULAR ± 3 °			SEE CHART		THIS DRAWING CONTAINS INFORMATION THAT IS PROPRIETARY TO MOLEX INCORPORATED AND SHOULD NOT BE USED WITHOUT WRITTEN PERMISSION	
DRAFT WHERE APPLICABLE MUST REMAIN WITHIN DIMENSIONS						