

## Excellent Integrated System Limited

Stocking Distributor

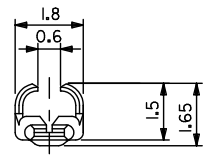
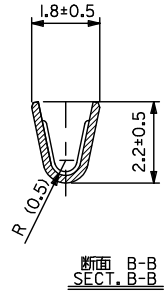
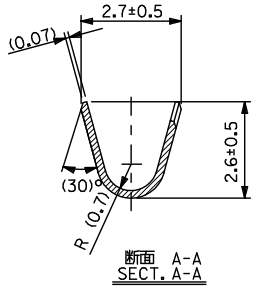
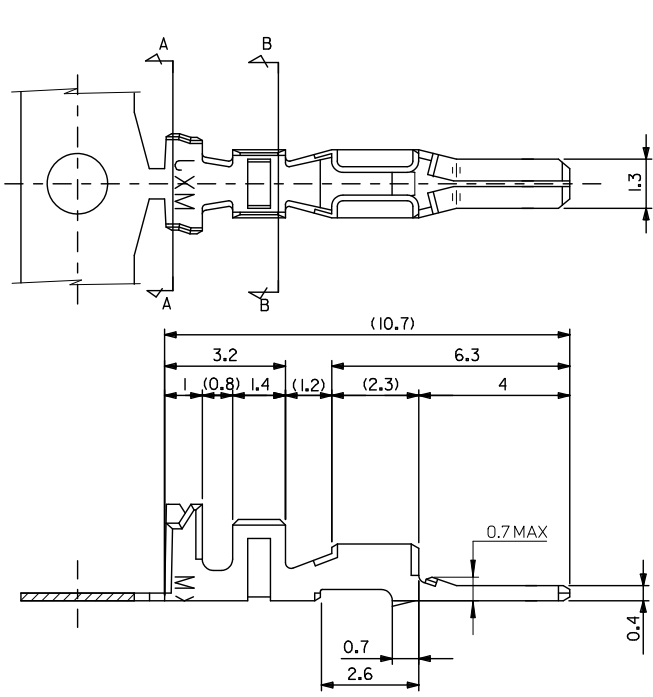
Click to view price, real time Inventory, Delivery & Lifecycle Information:

[Molex Connector Corporation](#)  
[0501478100](#)

For any questions, you can email us directly:

[sales@integrated-circuit.com](mailto:sales@integrated-circuit.com)

10 9 8 7 6 5 4 3 2 1



注記  
NOTES

- 適合ハウジング アッセンブリ: 52266-\*\*\*  
APPLICABLE HS'G ASS'Y: 52266-\*\*\*
- 嵌合相手: 50148-8\*00  
MATES WITH: 50148-8\*00

50147-8100	バラ状 LOOSE
50147-8000	連鎖状 CHAIN
MATERIAL NO.	端子形状 FORM

材料 MATERIAL	リン青銅 錫メッキ(±0.2) PHOSPHOR BRONZE TIN PLATING(±0.2)	
適用電線範囲 WIRE RANGE	AVSS-0.3/0.3F CAVS-0.3 ISO-0.5	AVSS-0.5/0.5F CAVS-0.5 AWG #22/#20
被覆外径 INS. RANGE	φ1.4-1.9	

REVISED EC NO. JTR2012-0084 2012/02/29 DRAWN: SANO CHKD: SANO 2012/03/02 APPR: MAYAMOTO 2012/03/16 DESCRIPTION REV: C1	GENERAL TOLERANCES (UNLESS SPECIFIED)		DIMENSION STYLE MM ONLY	SCALE 10:1	DESIGN UNITS METRIC	THIRD ANGLE PROJECTION
	10 UNDER	± 0.2	DRAWN BY M. SANO	DATE 1991/7/17	TITLE 2.5 MINI WATERPROOF CONN. CRIMP PIN.	
	10 OVER 30 UNDER	± 0.25	CHECKED BY M. SAKANO	DATE 1992/8/6	MOLEX INCORPORATED	
	30 OVER	± 0.3	APPROVED BY MENOMOTO	DATE 1992/8/6	DOCUMENT NO. SD-50147-001	SHEET NO. 1 OF 1
ANGULAR ±3°			SEE CHART		THIS DRAWING CONTAINS INFORMATION THAT IS PROPRIETARY TO MOLEX INCORPORATED AND SHOULD NOT BE USED WITHOUT WRITTEN PERMISSION	
DRAFT WHERE APPLICABLE MUST REMAIN WITHIN DIMENSIONS						