

## **Excellent Integrated System Limited**

Stocking Distributor

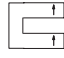

Click to view price, real time Inventory, Delivery & Lifecycle Information:

[Omron Automation & Safety](#)  
[E3S-GS1B4](#)

For any questions, you can email us directly:

[sales@integrated-circuit.com](mailto:sales@integrated-circuit.com)



Sensing distance	Supply voltage	Output
5 mm, 1 cm, 31 m 	12 to 24 VDC	 80 to 100 mA

# Photoelectric Sensor

# E3S-G

## Grooved Head Sensors with Built-in DC Amplifiers

- A 1-cm groove type detects marks on transparent film.
- A 3-cm groove type detects edges, labels, and marks.
- LIGHT and STABILITY indicators make sensitivity adjustment easy.



## Ordering Information

Application	Groove width	Model	
		NPN output	PNP output
Mark sensing	1 cm	E3S-GS1E4 E3S-GS1RE4 E3S-GS1GE4	E3S-GS1B4 E3S-GS1RB4 E3S-GS1GB4
General-purpose	3 cm	E3S-GS3E4	E3S-GS3B4

## Specifications

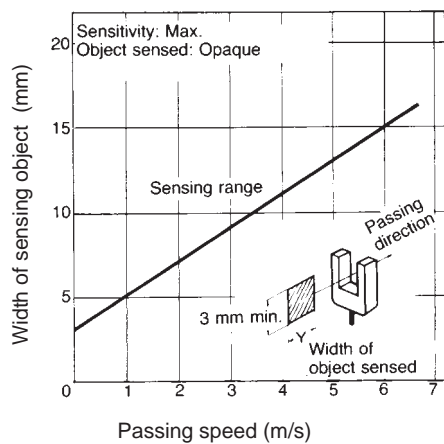
### ■ Ratings/Characteristics

Item		E3S-GS1E4/ E3S-GS1B4	E3S-GS1RE4A/ E3S-GS1RB4A	E3S-GS1GE4A/ E3S-GS1GB4A	E3S-GS3E4/ E3S-GS3B4
Power supply voltage		12 to 24 VDC, ripple (p-p): 10% max.			12 VDC -10% to 24 VDC +10%, ripple (p-p): 10% max.
Current consumption		40 mA max.			
Sensing distance		1 cm			3 cm
Standard objects		Transparent (2 x 3 mm)			Opaque and translucent (3 mm)
Control output	DC solid-state	Load		Models with suffix -E4: 80 mA max. Models with suffix -B4: 100 mA max.	
		Voltage output		2 V max.	
Response time (ON, OFF)		1 ms max.			
Sensitivity		Adjustable	10-cycle trimmer		Adjustable
Operation mode		Wire-selectable (Refer to "Output Circuit.")			
Indicators		Light indicator (red), stability indicator (green)			
Enclosure rating	IEC 144	IP65	IP65		IP67
	NEMA	1, 2, 12	1, 2, 12		1, 3, 4X, 6, 12
Housing material		Plastic			Metal
Light source		Green LED	Red LED	Green LED	Infrared LED
Ambient temperature		Operating: -25 to 55 °C			

## Engineering Data

### Passing Speed vs. Width of Object

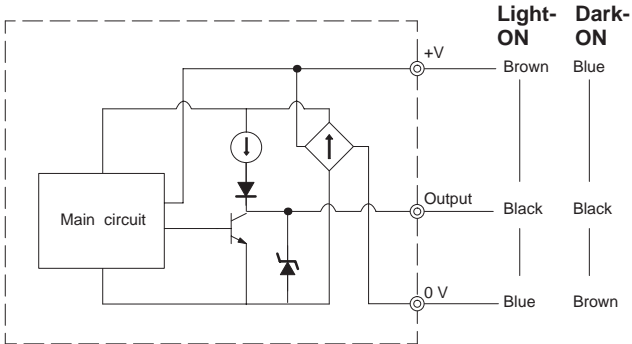
#### E3S-GS3



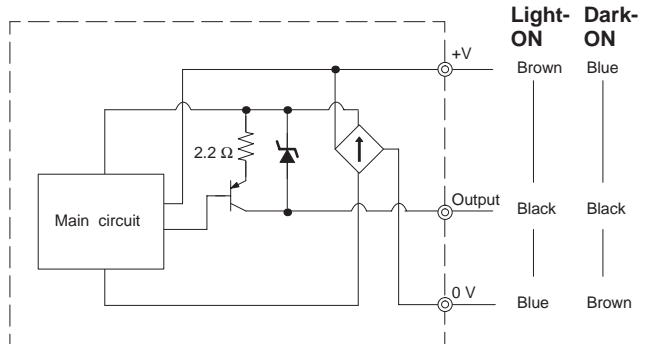
## Operation

### ■ Output Circuits

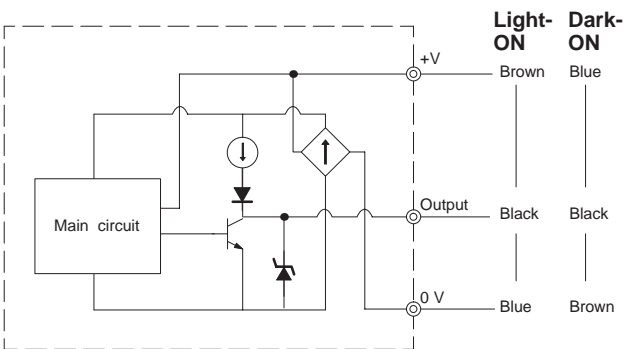
E3S-GS1E4 (NPN Output)  
E3S-GS1RE4A (NPN Output)  
E3S-GS1GE4A (NPN Output)



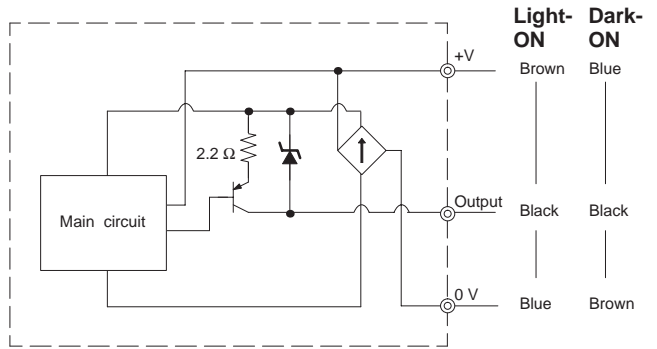
E3S-GS1B4 (PNP Output)  
E3S-GS1RB4A (PNP Output)  
E3S-GS1GB4A (PNP Output)



E3S-GS3E4

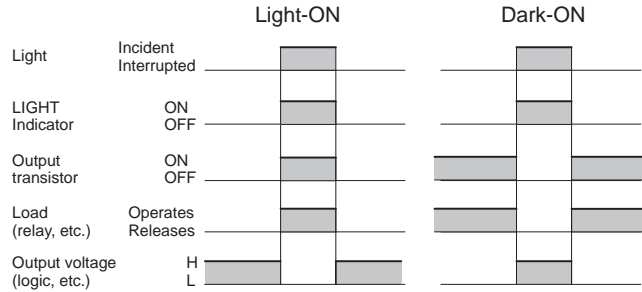


E3S-GS3B4

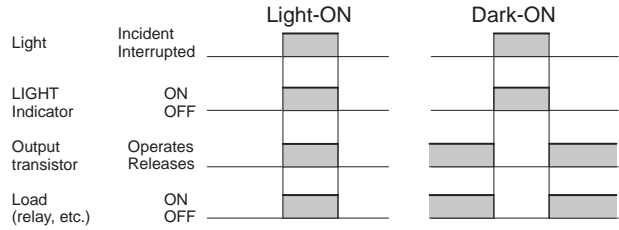


■ **Timing Chart**

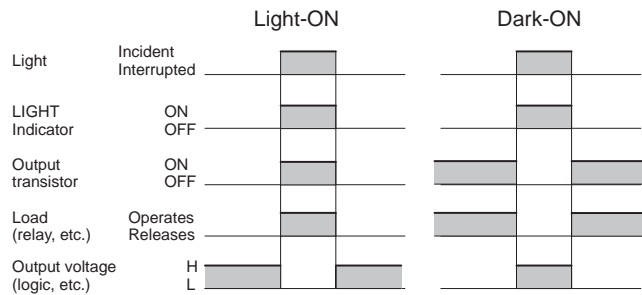
**E3S-GS1E4**  
**E3S-GS1RE4A**  
**E3S-GS1GE4A**



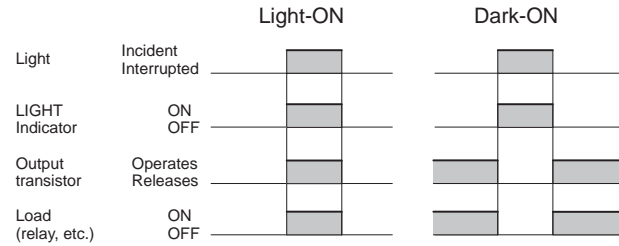
**E3S-GS1B4**  
**E3S-GS1RB4A**  
**E3S-GS1GB4A**



**E3S-GS3E4**



**E3S-GS3B4**

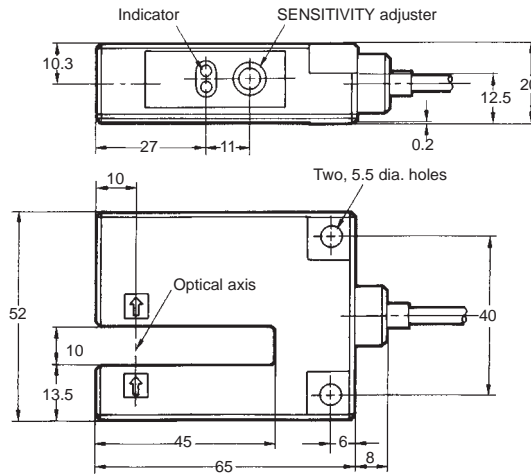
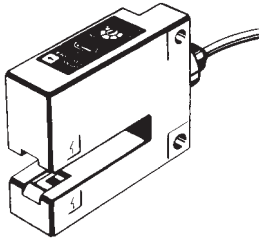


## Dimensions

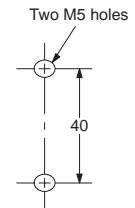
**Note:** All units are in millimeters unless otherwise indicated.

### E3S-GS1□4

Cord: 4-mm dia., 18/0.12, 3-conductor  
 Standard length: 2 m  
 Weight: approx. 100 g

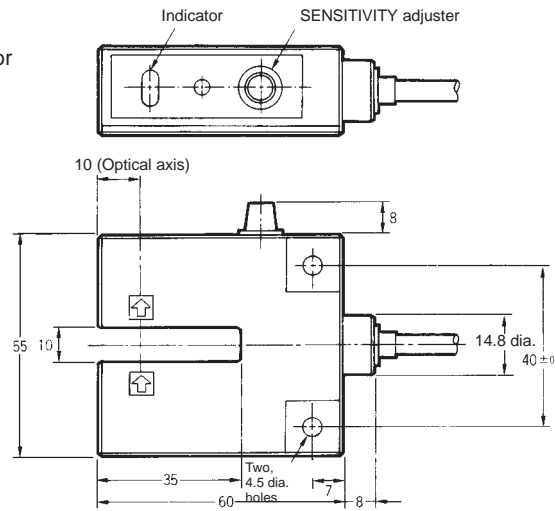
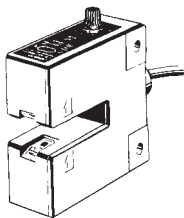


#### Mounting Holes

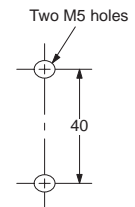


### E3S-GS1R□4A E3S-GS1G□4A

Cord: 4-mm dia., 18/0.12, 3-conductor  
 Standard length: 2 m  
 Weight: approx. 100 g

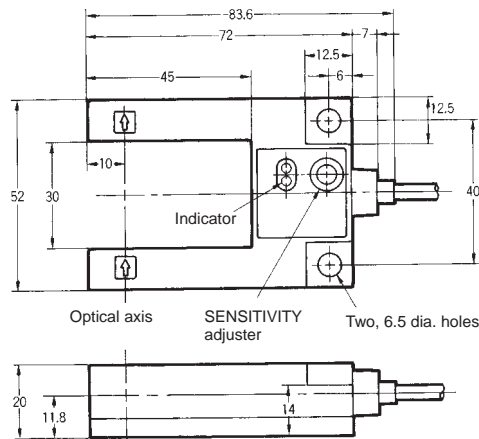
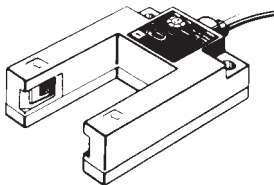


#### Mounting Holes

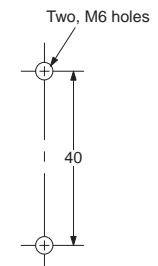


### E3S-GS3□4

Cord: 4-mm dia., 18/0.12, 3-conductor  
 Standard length: 2 m  
 Weight: approx. 230 g



#### Mounting Holes

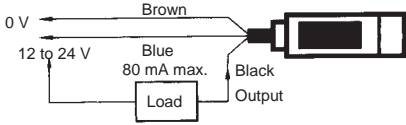


## Installation

### ■ Connections

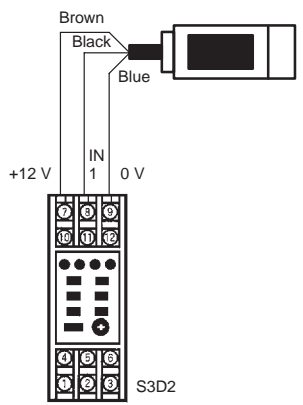
#### Relay Load

**Note:** By connecting the brown (red) and blue (black) wires conversely, the load operates when there is incident light.

Operating load condition	Light-ON
Connection method	

#### With Sensor Controller (S3D2)

The operation of the sensor is reversible with the signal input selector of the S3D2.

Sensing method	Diffuse reflective
Connection method	



**Distributor of Omron Automation & Safety: Excellent Integrated System Limited**

Datasheet of E3S-GS1B4 - PHOTOELECTRIC SENSOR

Contact us: [sales@integrated-circuit.com](mailto:sales@integrated-circuit.com) Website: [www.integrated-circuit.com](http://www.integrated-circuit.com)

---

**E3S-G**

**OMRON**

**E3S-G**

---



**ALL DIMENSIONS SHOWN ARE IN MILLIMETERS.**

To convert millimeters into inches, multiply by 0.03937. To convert grams into ounces, multiply by 0.03527.

Cat. No. E036-E1-2 **In the interest of product improvement, specifications are subject to change without notice.**

**OMRON Corporation**

Sensing Components & Systems Division  
28th Fl., Crystal Tower Bldg.  
1-2-27, Shiromi, Chuo-ku,  
Osaka 540 Japan  
Phone: 06-949-6012 Fax: 06-949-6021

Printed in Japan  
0395-0.5M (0395) a