

Excellent Integrated System Limited

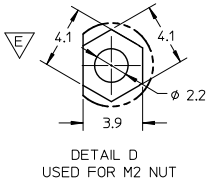
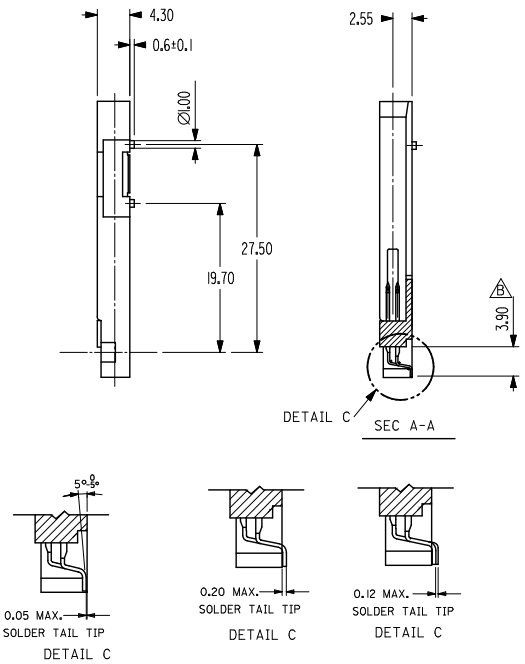
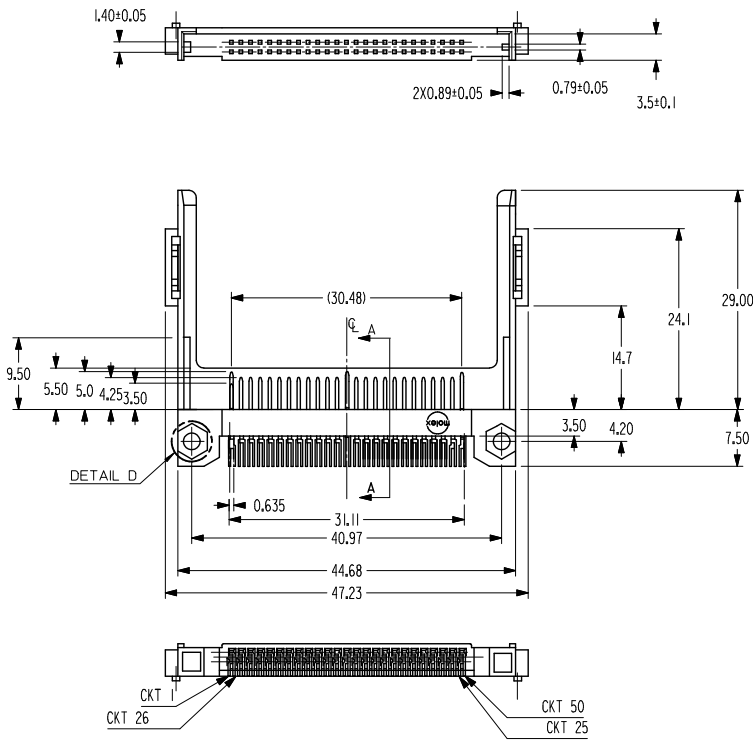
Stocking Distributor

Click to view price, real time Inventory, Delivery & Lifecycle Information:

[Molex Connector Corporation](#)
[0671550001](#)

For any questions, you can email us directly:
sales@integrated-circuit.com

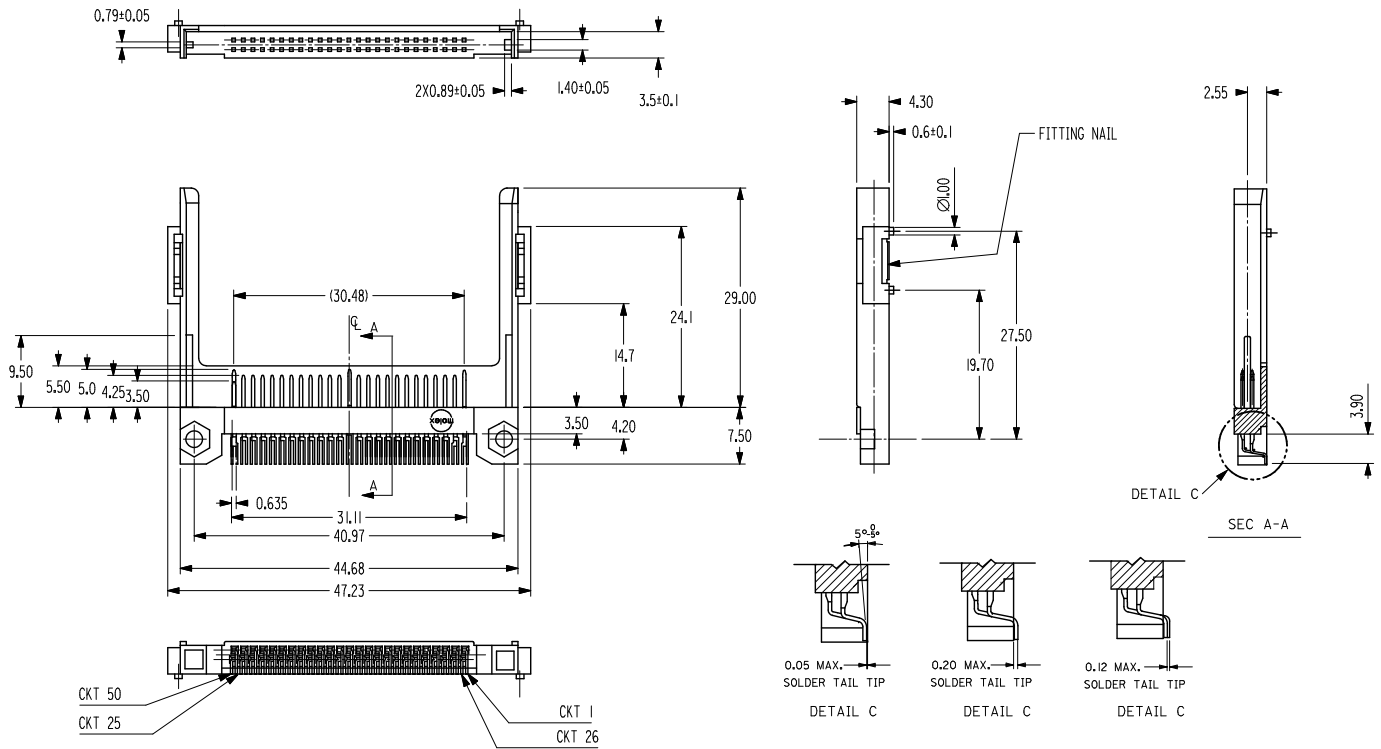
10 9 8 7 6 5 4 3 2 1



OBSELETE PART EC NO: SH2011-0364 TIDRMAX/SONG CHKD: APPR: RZHANG 2011/06/10 2011/06/14	QUALITY SYMBOLS $\nabla=0$ $\nabla=0$ $\nabla=0$	GENERAL TOLERANCES (UNLESS SPECIFIED) mm INCH 4 PLACES ± --- ± --- 3 PLACES ± --- ± --- 2 PLACES ± 0.15 ± --- 1 PLACE ± 0.15 ± --- ANGULAR ± 2°	DIMENSION STYLE MM ONLY DRAWN BY DATE JACK LIN 1998/08/06 CHECKED BY DATE WALLY WA 1998/08/06 APPROVED BY DATE MEGA LIN 1998/08/06	SCALE 2:1	DESIGN UNITS METRIC	THIRD ANGLE PROJECTION
	TITLE 50 CIRCUITS CF LOW PROFILE HEADER					
	MATERIAL NO. 67155-0001 MOLEX INCORPORATED					
	DRAFT WHERE APPLICABLE MUST REMAIN WITHIN DIMENSIONS THIS DRAWING CONTAINS INFORMATION THAT IS PROPRIETARY TO MOLEX INCORPORATED AND SHOULD NOT BE USED WITHOUT WRITTEN PERMISSION					
				DOCUMENT NO. SD-67155-001	SHEET NO. 1 OF 3	

9 8 7 6 5 4 3 2 1

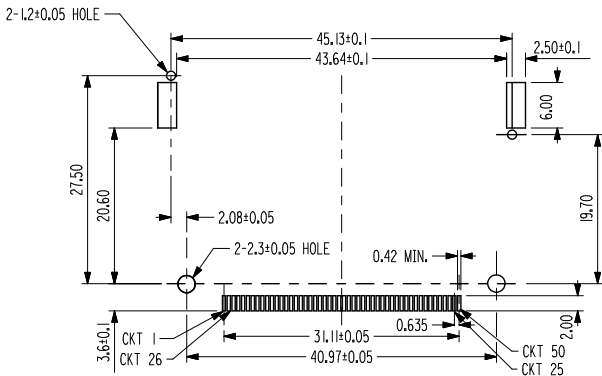
10 9 8 7 6 5 4 3 2 1



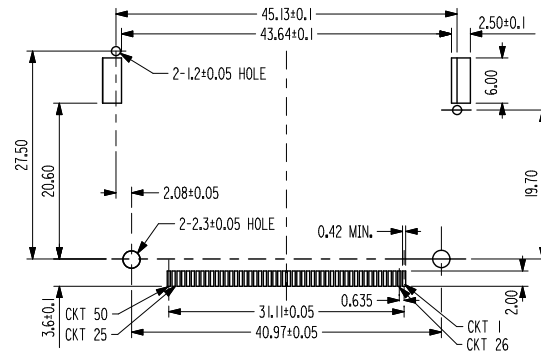
SEE SHEET 1 EC NO: SH2011-0364 DRAWN BY: J. SONG CHKD: APPR: R. ZHANG 2011/06/10 2011/06/14	QUALITY SYMBOLS	GENERAL TOLERANCES (UNLESS SPECIFIED)	DIMENSION STYLE	SCALE	DESIGN UNITS	THIRD ANGLE PROJECTION
	$\nabla=0$ $\nabla=0$ $\nabla=0$	mm INCH 4 PLACES ± --- ± --- 3 PLACES ± --- ± --- 2 PLACES ± 0.15 ± --- 1 PLACE ± 0.15 ± --- ANGULAR ± 2°	MM ONLY	2:1	METRIC	
	DRAFT WHERE APPLICABLE MUST REMAIN WITHIN DIMENSIONS	DRAWN BY: JACK LIN CHECKED BY: WALLY WA APPROVED BY: MEGA LIN DATE: 1998/08/06 DATE: 1998/08/06 DATE: 1998/08/06	TITLE			
		MATERIAL NO. 67155-0002 DOCUMENT NO. SD-67155-001 SHEET NO. 2 OF 3	50 CIRCUITS CF LOW PROFILE HEADER MOLEX INCORPORATED			

9 8 7 6 5 4 3 2 1

10 9 8 7 6 5 4 3 2 1



RECOMMENDED PCB LAYOUT
REVERSE TYPE



RECOMMENDED PCB LAYOUT
STANDARD TYPE

NOTES:

1. MATERIAL : HOUSING: HIGH TEMP PLASTIC, UL94 V-0, COLOR: IVORY
TERMINAL: COPPER ALLOY
2. PLATING: CONTACT AREA: AU OVER PD-NI
SOLDERING TAIL: TIN
NICKEL OVERALL
FITTING NAIL: TIN
NICKEL OVERALL
3. RECOMMENDED PCB THICKNESS: 0.8MM
4. THE COPLANARITY OF SOLDER TAILS SHOULD BE WITHIN 0.12 MM
5. FOR PRODUCT SPECIFICATION: REFER TO PS-67155-003

PART NUMBER	DISCRIPTION	PACKAGING
67155-0001	REVERSE TYPE	TYAY
67155-0002	STANDARD TYPE	PK-67155-001
67155-0004	STANDARD TYPE WITH MYLAR	TAPE & REEL PK-67155-002

SEE SHEET1 EC NO: SH2011-0364 TIDRINXJ.SONG CHKD: APPR:RZHANG 2011/06/10 2011/06/14	QUALITY SYMBOLS	GENERAL TOLERANCES (UNLESS SPECIFIED)	DIMENSION STYLE	SCALE	DESIGN UNITS	THIRD ANGLE PROJECTION																		
	$\sqrt{\text{A}}=0$ $\sqrt{\text{B}}=0$ $\sqrt{\text{C}}=0$	<table border="1"> <tr> <th></th> <th>mm</th> <th>INCH</th> </tr> <tr> <td>4 PLACES</td> <td>±---</td> <td>±---</td> </tr> <tr> <td>3 PLACES</td> <td>±---</td> <td>±---</td> </tr> <tr> <td>2 PLACES</td> <td>±0.15</td> <td>±---</td> </tr> <tr> <td>1 PLACE</td> <td>±0.15</td> <td>±---</td> </tr> <tr> <td colspan="3">ANGULAR ± 2 °</td> </tr> </table>		mm	INCH	4 PLACES	±---	±---	3 PLACES	±---	±---	2 PLACES	±0.15	±---	1 PLACE	±0.15	±---	ANGULAR ± 2 °			MM ONLY DRAWN BY: JACK L IN DATE: 1998/08/06 CHECKED BY: WALLY WA DATE: 1998/08/06 APPROVED BY: MEGA LIN DATE: 1998/08/06	2:1	METRIC	TITLE: 50 CIRCUITS CF LOW PROFILE HEADER MOLEX INCORPORATED DOCUMENT NO. SD-67155-001
		mm	INCH																					
	4 PLACES	±---	±---																					
3 PLACES	±---	±---																						
2 PLACES	±0.15	±---																						
1 PLACE	±0.15	±---																						
ANGULAR ± 2 °																								
DRAFT WHERE APPLICABLE MUST REMAIN WITHIN DIMENSIONS	SEE TABLE	MATERIAL NO.				SHEET NO. 3 OF 3																		
		SIZE: A3	THIS DRAWING CONTAINS INFORMATION THAT IS PROPRIETARY TO MOLEX INCORPORATED AND SHOULD NOT BE USED WITHOUT WRITTEN PERMISSION																					

9 8 7 6 5 4 3 2 1