

Excellent Integrated System Limited

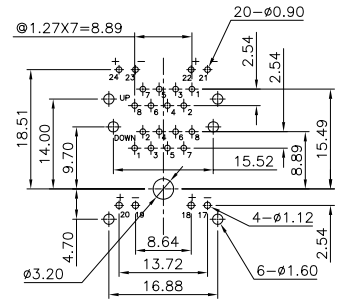
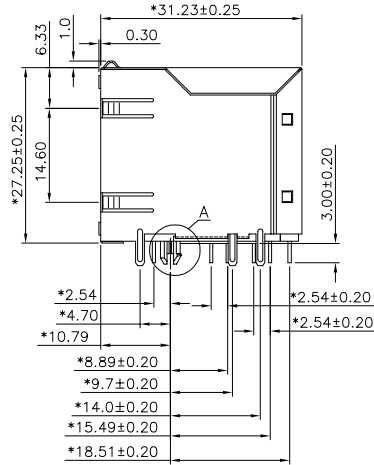
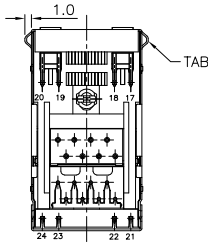
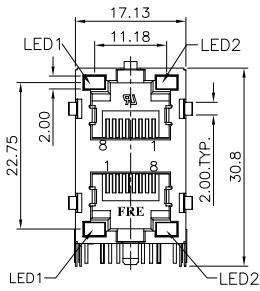
Stocking Distributor

Click to view price, real time Inventory, Delivery & Lifecycle Information:

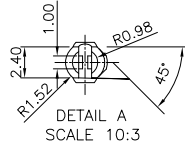
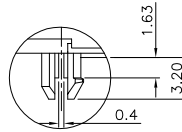
[Pulse Electronics Corporation](#)
[E5J88-A4L3F4-L](#)

For any questions, you can email us directly:

sales@integrated-circuit.com



PC Board Layout t=1.6mm
Component Side Shown Tolerance±0.05mm



PART NUMBER	LED COLOR		GOLD PLATING
	LED 1	LED 2	
E5J88-A4L3F2-L	GREEN	GREEN	6u"
E5J88-A4L3F4-L	GREEN	GREEN	30u"
E5J88-B4L3F2-L	GREEN	ORANGE	6u"
E5J88-C4L3F2-L	GREEN	YELLOW	6u"
E5J88-C4L3F4-L	GREEN	YELLOW	30u"

NOTES:

ELECTRICAL:

- VOLTAGE RATING : 125 VAC RMS.
- CURRENT RATING : 1.5 AMP.
- CONTACT RESISTANCE : 50 MILLIOHMS MAX.
- INSULATION RESISTANCE: 1000 MEGOHMS MIN @ 500 VDC.
- DIELECTRIC STRENGTH : 1000 VAC RMS 60Hz, 1MIN.

MECHANICAL:

- HOUSING MATERIAL : NYLON, UL94V-0.
- CONTACT MATERIAL : PHOSPHOR BRONZE ∅0.46mm.
- PLATING : GOLD PLATING OVER NICKEL.
- OPERATING LIFE : 750 CYCLES MIN.
- PCB RETENTION PRE-SOLDER : 1 LB MIN.
- PCB RETENTION POST-SOLDER: 10 LBS MIN.
- LED COLOR : OPTION

ENVIRONMENTAL:

- STORAGE : -40°C TO +85°C.
- OPERATION: -40°C TO +85°C.
- WAVE SOLDERING TEMPERATURE: 255~265°C(5~10 SECONDS)
- RoHS COMPLIANT.

MATES WITH MODULAR PLUG CONFORMING TO FCC PART 68, SUBPART F.

		FULL RISE ELECTRONIC CO., LTD	
RoHS Compliant		TITLE	
DFTO Jeri Chi DATE 07/13/2006		RJ45 LED JACK, 2x1PORTS	
SCALE : 5:3		DRAWING NO. CE5J3021-LA-01	SIZE REV A3 0
THIRD ANGLE PROJECTION		DO NOT SCALE DRAWING	SHEET 1 OF 1