



Distributor of Pulse Electronics Corporation: Excellent Integrated System Limited
Datasheet of E810K-SAY104-L - Connector Receptacle HDMI 19 Position Surface Mount,
Right Angle, Horizontal

Contact us: sales@integrated-circuit.com Website: www.integrated-circuit.com

Excellent Integrated System Limited

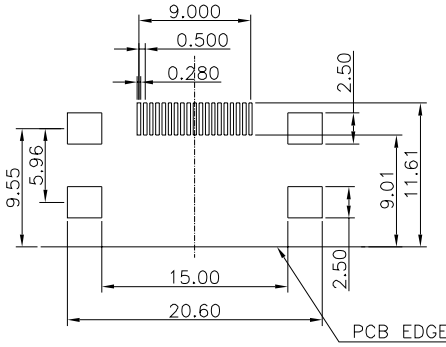
Stocking Distributor

Click to view price, real time Inventory, Delivery & Lifecycle Information:

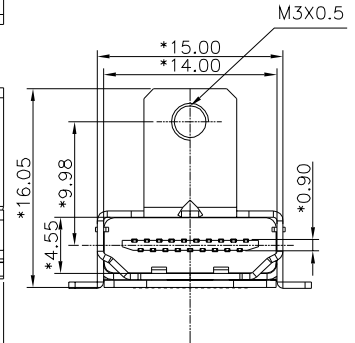
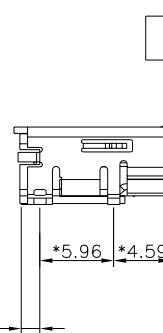
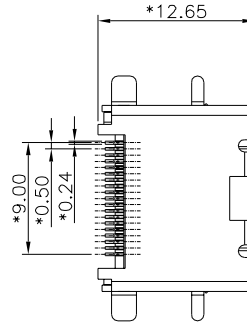
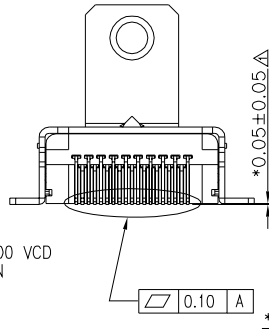
[Pulse Electronics Corporation](#)
[E810K-SAY104-L](#)

For any questions, you can email us directly:
sales@integrated-circuit.com

Contact us: sales@integrated-circuit.com Website: www.integrated-circuit.com



PC Board Layout T=1.6mm
 Component Side Shown Tolerance±0.05mm



NOTES:
ELECTRICAL

1. VOLTAGE RATING : 30 VDC RMS
2. CURRENT RATING :0.5AMP MAX PER CONTACT
3. CONTACT RESISTANCE : 30 MILLIOHMS MAX.
4. INSULATION RESISTANCE : 1000 MEGOHMS MIN @ 500 VCD
5. WITHSTANDING VOLTAGE : 500 VAC RMS 60Hz , 1MIN
6. OPERATING : 10000 CYCLES MIN

MECHANICAL :

1. HOUSING MATERIAL : NYLON
2. CONTACT MATERIAL : PHOSPHOR BRONZE 0.20mm THICKNESS
3. PLATING : 30u" GOLD PLATING OVER NICKEL
4. SHIELD MATERIAL : COPPER ALLOY 0.50mm THICKNESS
5. PLATING : NICKLE PLATING.

ENVIRONMENTAL:

1. STORAGE TEMPERATURE : -40°C TO +85°C
2. OPERATION TEMPERATURE : -40°C TO +85°C
3. WAVE SOLDERING TEMPERATURE: 255~265°C (5~10 SECONDS).
4. RoHS COMPLIANT.

PART NUMBER
E810K-SAY104-L

DETACHED LISTS TOLERANCES EXCEPT AS NOTED MM .0 ± 0.2 .00 ± 0.15 .000 ± 0.075 ANGLES ± 0.5 THRD ANGLE PROJECTION	RoHS Compliant		
	TITLE HDMI JACK(WITH SCREW)		
DFTO Cathy DATE 2006/09/07	DRAWING NO. CE813029-LA /PART NO. SEE TABLE	SCALE : DO NOT SCALE DRAWING	SHEET 1 OF 1 REV 0

8 | 7 | 6 | 5 | 4 | 3 | 2 | 1