



Distributor of Pulse Electronics Corporation: Excellent Integrated System Limited
Datasheet of E8144-B01321-L - Connector Receptacle USB TypeB 4 Position Through Hole,
Right Angle, Horizontal

Contact us: sales@integrated-circuit.com Website: www.integrated-circuit.com

Excellent Integrated System Limited

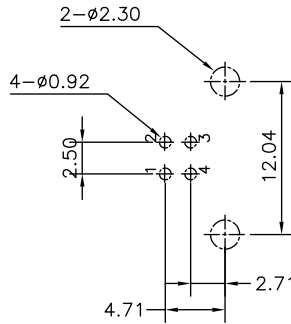
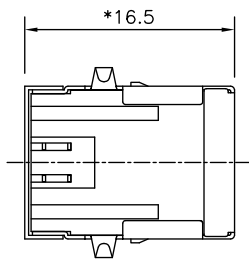
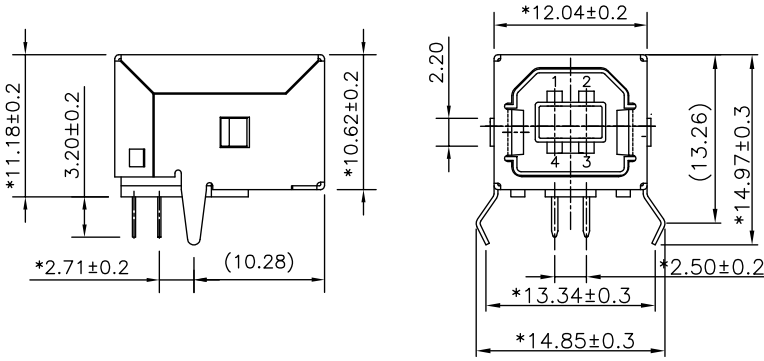
Stocking Distributor

Click to view price, real time Inventory, Delivery & Lifecycle Information:

[Pulse Electronics Corporation](#)
[E8144-B01321-L](#)

For any questions, you can email us directly:
sales@integrated-circuit.com

Contact us: sales@integrated-circuit.com Website: www.integrated-circuit.com



USB-PCB LAYOUT

NOTES:

- 1.MATERIAL:
 TERMINAL : PHOSPHOR BRONZE HARD. (t=0.25mm)
 SHIELD : COPPER ALLOY(t=0.30mm)
 HOUSING : GLASS FILLED PBT UL94V-0
 HOUSING COLOR : WHITE.
- 2.PLATING :CONTACT AREA--SELECTIVE GOLD PLATING.
 TAILS--TIN 150u" MIN OVER NICKEL.
- 3.GAP. 0.25mm (Max.)
- 4.ELECTRICAL:
 VOLTAGE RATING : 30 VAC RMS.
 CURRENT RATING : 1.0 AMP
 CONTACT RESISTANCE : 30 MILLIOHMS MAX
 INSULATION RESISTANCE : 1000 MEGOHMS MIN @500 VDC
 DIELECTRIC STRENGTH : 750 VAC RMS 60 HZ, 1 MIN
 OPERATING LIFE : 1500 CYCLES MIN
 MATING FORCE : 3.5 KGS MAX
 UNMATING FORE : 1 KGS MIN
- 5.NVIRONMENTAL:
 STORAGE TEMPERATURE : -40°C TO +85°C
 OPERATION TEMPERATURE : -40°C TO +85°C
 CAPACITANCE : 2 PF MAX 1KHZ
 WAVE SOLDER TEMPERATURE: 230~250°C.(5-10 SECONDS)
 RoHS COMPLIANT.
- 6.UL & CUL FILE NO. E163191

PART NUMBER	GOLD PLATING
E8144-B01321-L	3u"
E8144-B01322-L	6u"

MM (INCH) TOLERANCES EXCEPT AS NOTED MM .0 ± 0.2 ± .00 ± 0.15 ± .000 ± 0.075 ± ANGLES ± 0.5 THIRD ANGLE PROJECTION	RoHS Compliant		
	TITLE USB Series B 4-Position Dip Type		
DFTO Cathy DATE 2006/09/21	DRAWING NO. CE813A02-LC /PART NO. SEE TABLE	DO NOT SCALE DRAWING	SHEET 1 OF 1

8 | 7 | 6 | 5 | 4 | 3 | 2 | 1