



**Distributor of Pulse Electronics Corporation: Excellent Integrated System Limited**  
Datasheet of E828B-221A14-L - Connector Receptacle Firewire (IEEE 1394) and USB TypeA  
(2) 14 Position Through Hole, Right Angle, Horizontal

Contact us: [sales@integrated-circuit.com](mailto:sales@integrated-circuit.com) Website: [www.integrated-circuit.com](http://www.integrated-circuit.com)

---

## Excellent Integrated System Limited

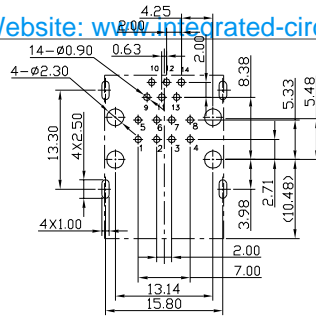
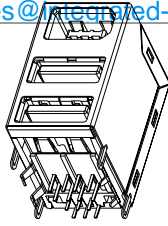
Stocking Distributor

Click to view price, real time Inventory, Delivery & Lifecycle Information:

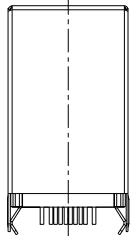
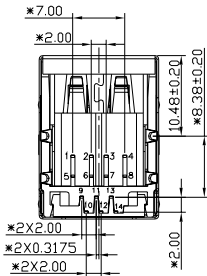
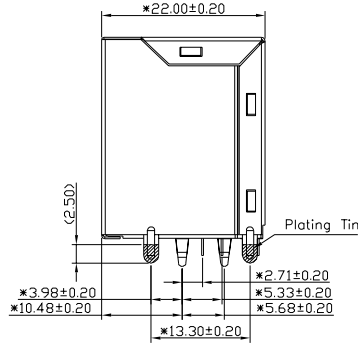
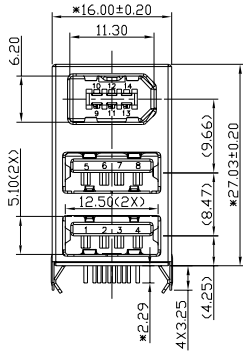
[Pulse Electronics Corporation](#)  
[E828B-221A14-L](#)

For any questions, you can email us directly:  
[sales@integrated-circuit.com](mailto:sales@integrated-circuit.com)

Contact us: sales@integrated-circuit.com Website: www.integrated-circuit.com



PC BOARD LAYOUT T=1.6mm  
COMPONENT SIDE SHOWN TOLERANCE±0.05mm



BACK VIEW

**NOTES**

**MATERIAL:**

1. USB IS BASED ON USB STANDARD SPECIFICATIONS;
- 1394 IS BASED ON 1394 STANDARD SPECIFICATIONS.
2. HOUSING MATERIAL : GLASS FILLED NYLON UL94V-0
3. PLATE MATERIAL : GLASS FILLED NYLON UL94V-0
4. SHIELD MATERIAL : COPPER ALLOY(T=0.25) PLATING NIKEL.
5. CONTACT MATERIAL : USB USE STANDARD USB CONTACT.  
1394 USE PHOSPHOR BRONZE ,PLATING NICKEL OVER ALL.  
PLATING GOLD ON CONTACT AREA.

**ELECTRICAL CHARACTERISTICS:**

1. CONTACT CURRENT RATING:USB 1AMPERE & 1394 1.5AMPERE MAX.
2. CONTACT RESISTANCE :30 MILLIOHMS MAX.
3. DIELECTRIC WITHSTANDING VOLTAGE:USB 750VAC MIN.  
1394 500VAC MIN.
4. INSULATION RESISTANCE : IEEE1394 100 MEGOHMS MIN  
USB 1000 MEGOHMS MIN .

**MECHANICAL CHARACTERISTICS:**

1. OPERATING TEMPERATURE : -40°C TO +85°C.
2. Wave Soldering Temperature: 255~265°C (5~10 SECONDS)
3. CONNECTOR MATING FORCE: 4.0Kgf MAX.
4. CONNECTOR UNMATING FORCES: 1.0Kgf TO 4.0Kgf.
5. DURABILITY: 1500 CYCLES.
6. RoHS COMPLIANT.

PART NUMBER  
E828B-221A14-L

DETAILED LISTS TOLERANCES EXCEPT AS NOTED MM 0 ± 0.2 00 ± 0.15 000 ± 0.075 ANGLES ± 0.5 THIRD ANGLE PROJECTION	RoHS Compliant		
	TITLE IEEE1394 OVER STACKED USB RECEPTACLE CONNECTOR		
DFTD Co.thy DATE 2006/09/14		DRAWING NO. CE823034-LA /PART NO. SEE TABLE	
SCALE : 2:1		DO NOT SCALE DRAWING SHEET 1 OF 1	

8 | 7 | 6 | 5 | 4 | 3 | 2 | 1