

Excellent Integrated System Limited

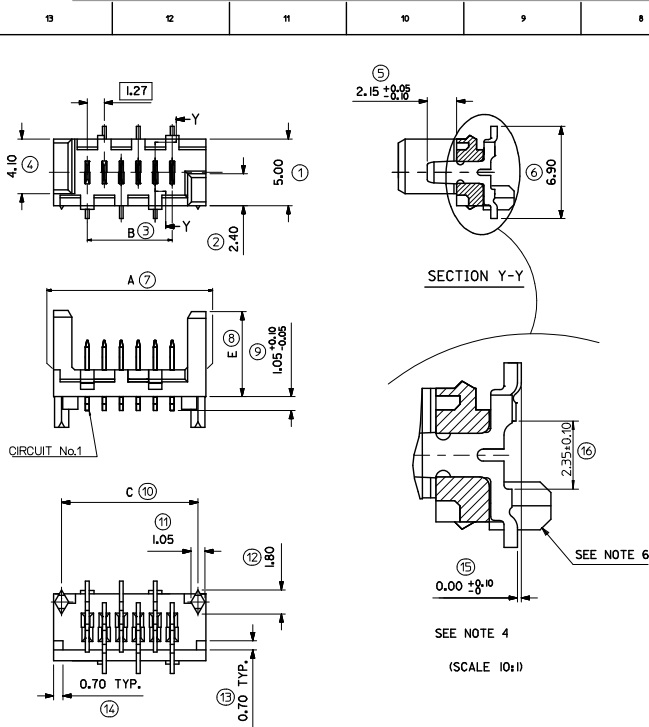
Stocking Distributor

Click to view price, real time Inventory, Delivery & Lifecycle Information:

[Molex Connector Corporation](#)
[0908140816](#)

For any questions, you can email us directly:

sales@integrated-circuit.com



NOTES:
1) MATERIAL: HOUSING: NYLON (PA) GLASS FILLED, UL94 V-0, NATURAL (BEIGE)
TERMINAL - CARTRIDGE BRASS 0.28 REF THICK

2) PLATING:
TIN: TIN (Sn) 3-5 MICROMETRE OVER 1.27 MICROMETRE MIN NICKEL(Ni).
PALLADIUM NICKEL (PdNi): 0.6 MICROMETRE SELECTIVE PdNi WITH 0.05 MICROMETRE GOLD FLASH
IN CONTACT AREA AND 3-5 MICROMETRE SELECTIVE TIN IN SOLDER TAIL AREA
OVER 1.27 MICROMETRE NICKEL(Ni) UNDERCOAT.

3) MATES WITH MOLEX 90327 PART SERIES.
4) ALL SMT TAILS TO LIE WITHIN A COPLANARITY BAND OF
0.0 - 0.10 REF. FROM EACH OTHER.

5) FOR TAPE AND REEL PACKAGING SEE SDA-90814-9001
FOR TUBE PACKAGING SEE PK-90814-001

6) PCB PEGS ARE OPTIONAL.
7) PCB LAYOUT SHOWN ON SHEET 2.

8) PRODUCT SPECIFICATION: PS-99020-0011

9) FOR RECOMMENDED REFLOW PROFILES, REFER TO PS-99020-0011 APPENDIX B

INSPECTION NUMBERS USED ON SHEET 1: 1-50
LAST INSPECTION NUMBER: 16

90814 - **CIRCUIT SIZE**

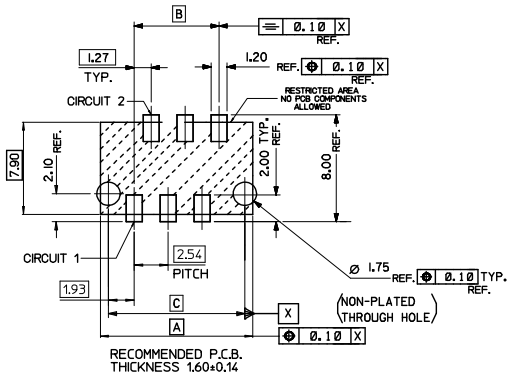
	PCB PEGS	TUBE PACKED	TAPE & REEL PACKED	POLARIZING PEG HEIGHT DIMN. E	
0	YES	YES	NO	6.40	STANDARD
2	YES	NO	YES	6.40	PROFILE
3	NO	YES	NO	6.40	REFLOW
5	NO	NO	YES	6.40	NOTE 9
6	NO	YES	NO	4.10	LOW
7	NO	NO	YES	4.10	PROFILE
8	YES	YES	NO	4.10	REFLOW
9	YES	NO	YES	4.10	NOTE 9

0= 3-5 MICROMETRE TIN VERSION

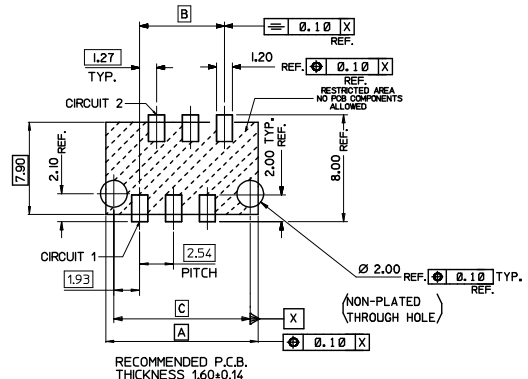
3= 0.6 MICROMETRE PALLADIUM NICKEL VERSION

PART NO.	NUMBER OF CKTS	DIMN. A	DIMN. B	DIMN. C	QUANTITY OF PARTS PER TUBE (-+0+/-,+3+/-,+6+ & ++8+ VERSIONS)	TOOLED
90814-++26	26	36.80	31.75	35.60	14	YES
90814-++24	24	34.26	29.21	33.06	15	YES
90814-++22	22	31.72	26.67	30.52	16	YES
90814-++20	20	29.18	24.13	27.98	18	YES
90814-++18	18	26.64	21.59	25.44	20	YES
90814-++16	16	24.10	19.05	22.90	22	YES
90814-++14	14	21.56	16.51	20.36	25	YES
90814-++12	12	19.02	13.97	17.82	28	YES
90814-++10	10	16.48	11.43	15.28	32	YES
90814-++08	8	13.94	8.89	12.74	38	YES
90814-++06	6	11.40	6.35	10.20	46	YES
90814-++04	4	8.86	3.81	7.66	60	YES

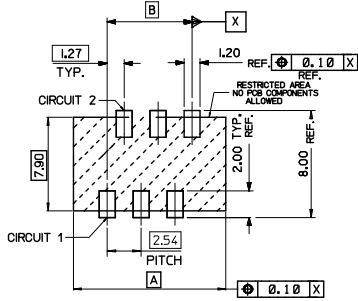
ADDED REFLOW NOTES ELC NO: IFCG2015-1233 DRAWN BY: MNRINES 2015/01/08 CHKD: APPR: SGR/FFIN 2015/01/14 REV:	QUALITY SYMBOLS ▽=0 ▽=0	GENERAL TOLERANCES (UNLESS SPECIFIED) mm INCH 4 PLACES ±--- ±--- 3 PLACES ±--- ±--- 2 PLACES ±0.10 ±--- 1 PLACE ±--- ±--- ANGULAR ±1/2°	DIMENSION STYLE MM ONLY DRAWN BY: DATE DMCNAR 2001/08/16 CHECKED BY: DATE PCURT IN 2001/08/16 APPROVED BY: DATE EROLAN 2010/11/04	SCALE 5:1 DESIGN UNITS METRIC THIRD ANGLE PROJECTION	TITLE PICOFLEX SMT HEADER
	DRAFT WHERE APPLICABLE MUST REMAIN WITHIN DIMENSIONS		MATERIAL NO. SEE CHART	DOCUMENT NO. SDA-90814	SHEET NO. 1 OF 2
	THIS DRAWING CONTAINS INFORMATION THAT IS PROPRIETARY TO MOLEX INCORPORATED AND SHOULD NOT BE USED WITHOUT WRITTEN PERMISSION				
	MOLEX INCORPORATED				



RECOMMENDED P.C.B. THICKNESS 1.60±0.14
PCB LAYOUT FOR TRANSITION FIT WITH PCB PEGS
HEADER VERSIONS 90814-0**/-2**/-8**/-9**,
VIEWED FROM COMPONENT SIDE



RECOMMENDED P.C.B. THICKNESS 1.60±0.14
PCB LAYOUT FOR CLEARANCE FIT WITH PCB PEGS
HEADER VERSIONS 90814-0**/-2**/-8**/-9**,
VIEWED FROM COMPONENT SIDE



PCB LAYOUT FOR HEADERS WITHOUT PCB PEGS
HEADER VERSIONS 90814-3**/-5**/-6**/-7**,
VIEWED FROM COMPONENT SIDE

90814-26	26	36.80	31.75	35.60
90814-24	24	34.26	29.21	33.06
90814-22	22	31.72	26.67	30.52
90814-20	20	29.18	24.13	27.98
90814-18	18	26.64	21.59	25.44
90814-16	16	24.10	19.05	22.90
90814-14	14	21.56	16.51	20.36
90814-12	12	19.02	13.97	17.82
90814-10	10	16.48	11.43	15.28
90814-08	8	13.94	8.89	12.74
90814-06	6	11.40	6.35	10.20
90814-04	4	8.86	3.81	7.66
PART NO.	NUMBER OF CKTS	DIML A	DIML B	DIML C

CORRECTED P.C.B. DIMS IEC NO: IFCG2013-0901 DRAWN BY: CHIKO MAHER APPR. SGT. IFCG 2013/01/23	QUALITY SYMBOLS	GENERAL TOLERANCES (UNLESS SPECIFIED)	DIMENSION STYLE MM ONLY	SCALE 5:1	DESIGN UNITS METRIC	THIRD ANGLE PROJECTION
	▽=0	mm INCH	DRAWN BY DATE	TITLE PICOFLEX SMT HEADER		
	▽=0	4 PLACES ±--- ±---	DMCNAMAR 2001/08/23	MATERIAL NO. EFOLAN 2010/11/04		
		3 PLACES ±--- ±---	CHECKED BY DATE	DOCUMENT NO. SDA-90814		
	2 PLACES ±0.10 ±---	BMAGUIRE 2001/08/23	MATERIAL NO. EFOLAN 2010/11/04			
	1 PLACE ±0.2 ±---	APPROVED BY DATE	MATERIAL NO. EFOLAN 2010/11/04			
	ANGULAR ±1/2°		MATERIAL NO. EFOLAN 2010/11/04			
		DRAFT WHERE APPLICABLE MUST REMAIN WITHIN DIMENSIONS	SEE CHART			
			SIZE THIS DRAWING CONTAINS INFORMATION THAT IS PROPRIETARY TO MOLEX INCORPORATED AND SHOULD NOT BE USED WITHOUT WRITTEN PERMISSION			