

Excellent Integrated System Limited

Stocking Distributor

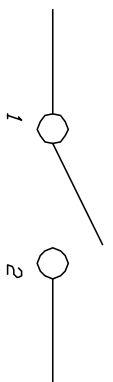
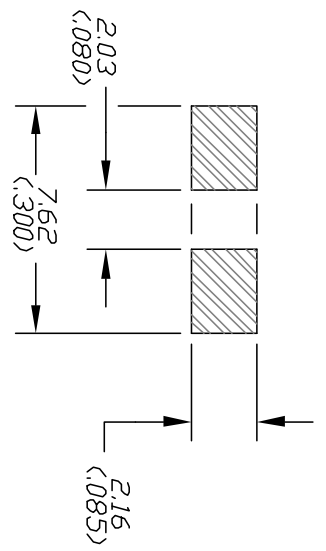
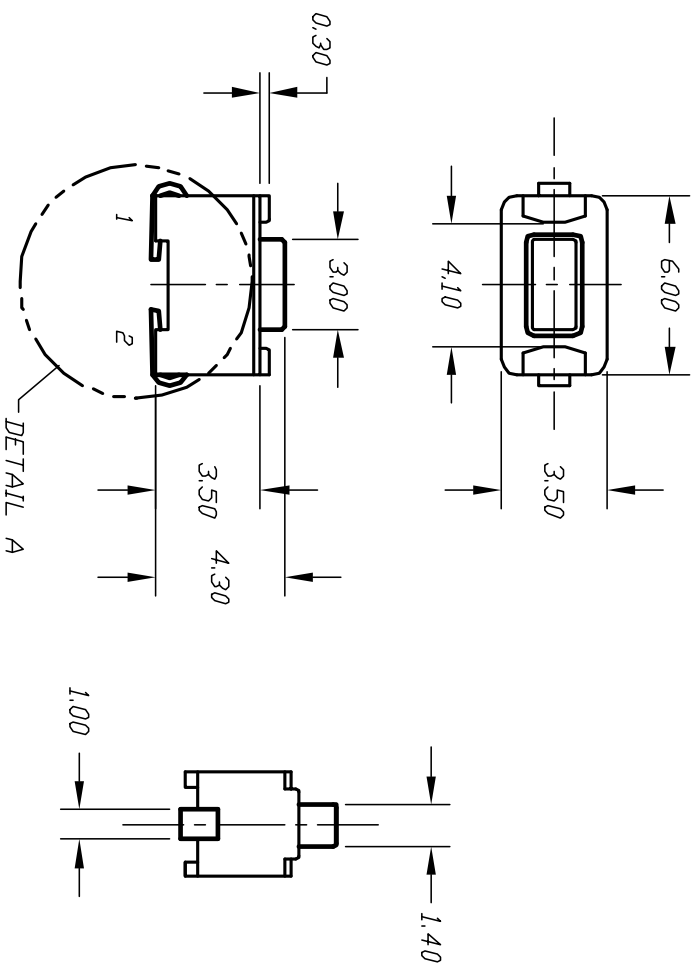
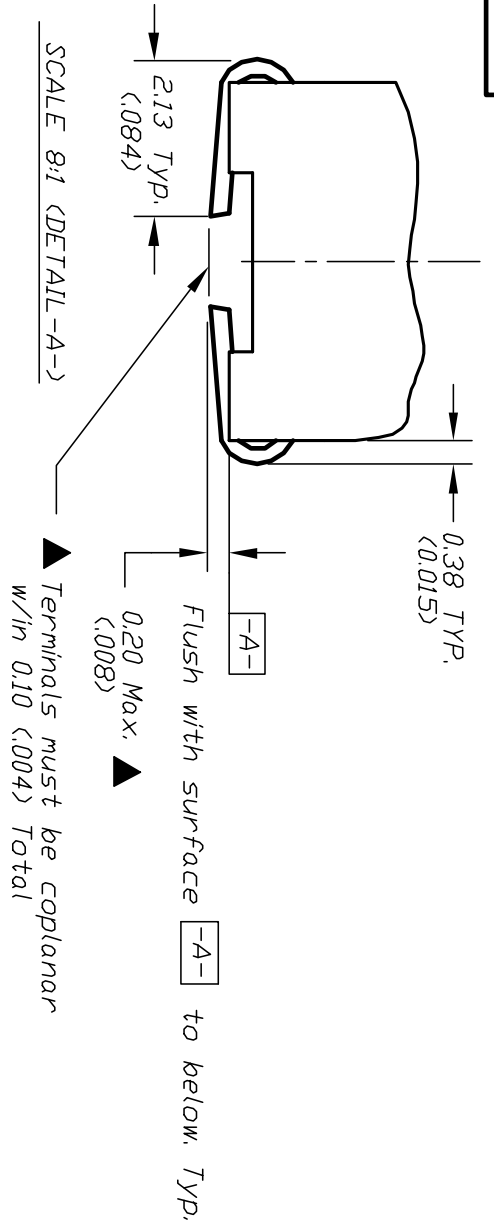
Click to view price, real time Inventory, Delivery & Lifecycle Information:

[E-Switch](#)
[TL3302AF260QJ](#)

For any questions, you can email us directly:

sales@integrated-circuit.com

SHEET OF



CONTACT CONFIGURATION

NOTES:

1. ALL DIMENSIONS IN MM
2. GENERAL TOLERANCE: X.X=±0.4
X.XX=±0.25
3. TERM. NOS. FOR REFERENCE ONLY.
4. RATING: 50mA @50VDC
5. CONTACT RESISTANCE: 100milli-ohms max.
6. TRAVEL: 0.25 +0.2/-0.1mm
7. MATERIALS:
CASE: PPS-RYTON-R-4
STEM: NYLON 4/6
TERMINAL/CONTACT:
COPPER ALLOY w/SILVER PLATE
8. ▲ DESIGNATE MAJOR FEATURE:

E-SWITCH®

TL3302A F260 QJ

REV.	ECN No.	RELEASED FOR PRODUCTION	DATE	CHKD
A	--	DESCRIPTION	12/12/02	CJB
THE INFORMATION CONTAINED IN THIS DOCUMENT IS PROPRIETARY TO E-SWITCH AND IS NOT TO BE COPIED OR TRANSMITTED				

TITLE	SCALE	DATE	DR	DWG	REV
TL3302A F260 QJ	4:1	--	--	P020331	A