

Excellent Integrated System Limited

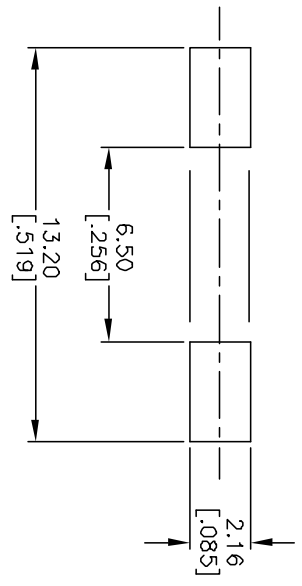
Stocking Distributor

Click to view price, real time Inventory, Delivery & Lifecycle Information:

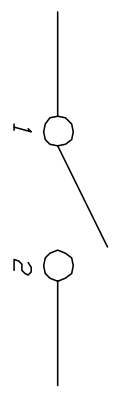
[E-Switch](#)
[TL3302BF130QG](#)

For any questions, you can email us directly:

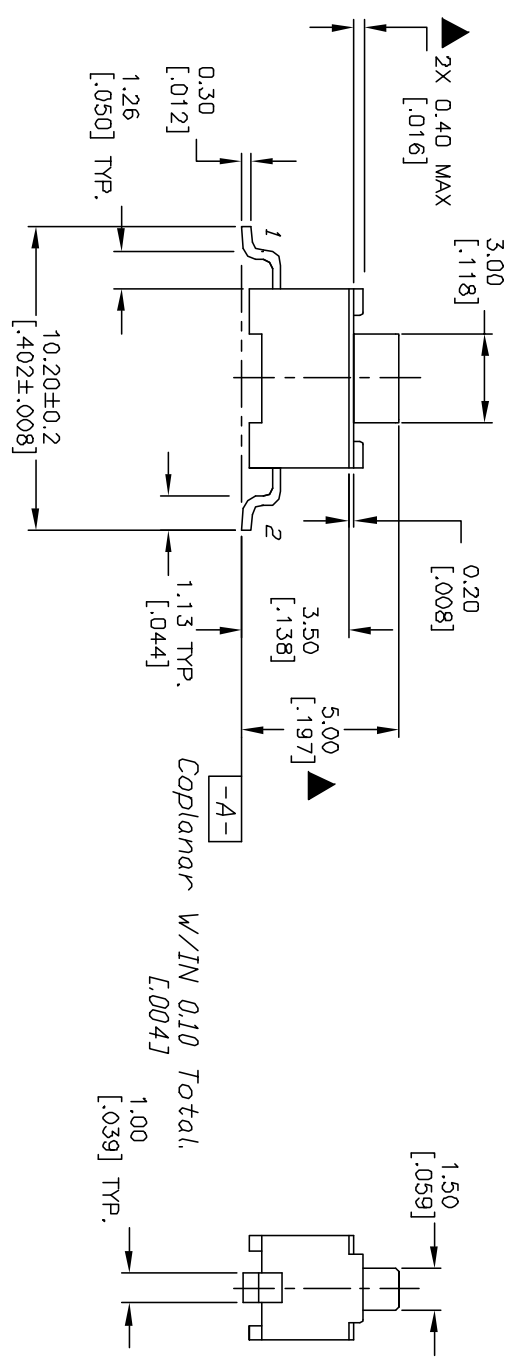
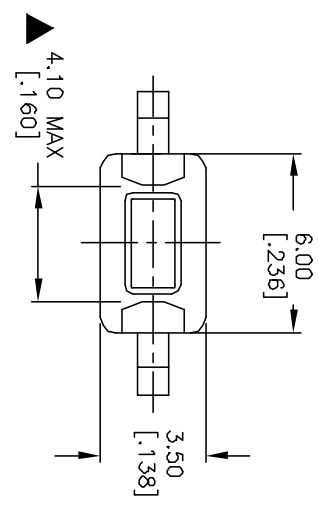
sales@integrated-circuit.com



RECOMMEND P.C.B. PADS



CIRCUIT, SPST
 CONTACT CONFIGURATION



- NOTES:
1. ALL DIMENSIONS IN MM [INCH]
 2. GENERAL TOLERANCE: X.X=±0.4 X.XX=±0.25
 3. TERM. NOS. FOR REFERENCE ONLY.
 4. RATING: 50mA @12V DC
 5. CONTACT MATERIAL: SILVER
 6. OPERATING FORCE: 130 ±50gf
 7. CONTACT RESISTANCE: 100mΩ MAX
 8. OPERATING LIFE: 100,000 CYCLES MIN.
 9. TRAVEL: 0.25 +0.2 -0.1mm

REV.	ECN No.	DESCRIPTION	DATE	CHKD
A	10801	RELEASED FOR PRODUCTION	10/25/01	CJC

TITLE	SCALE	DATE	DR	DWG	REV
TL 3302 B F130 Q G	4:1	10/25/01	CJC	P010597	A

E-SWITCH®

THE INFORMATION CONTAINED IN THIS DOCUMENT IS PROPRIETARY TO E-SWITCH AND IS NOT TO BE COPIED OR TRANSMITTED