

## Excellent Integrated System Limited

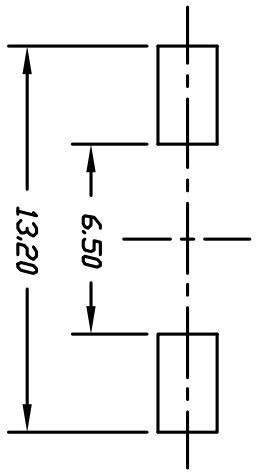
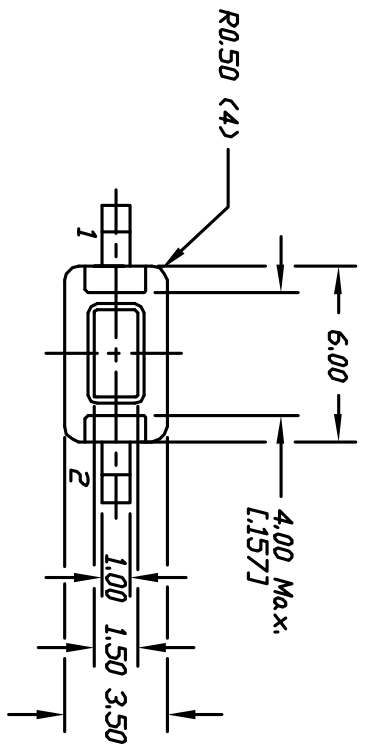
Stocking Distributor

Click to view price, real time Inventory, Delivery & Lifecycle Information:

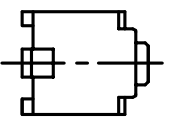
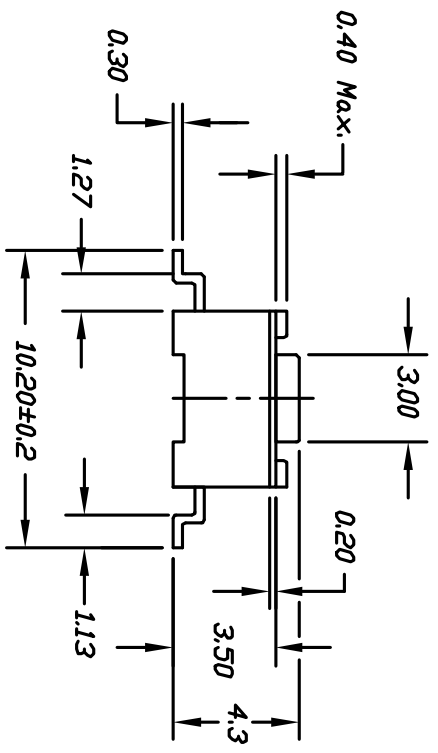
[E-Switch](#)  
[TL3302AF260QG](#)

For any questions, you can email us directly:  
[sales@integrated-circuit.com](mailto:sales@integrated-circuit.com)

SHEET 0F



RECOMMEND P.C.B. LAND DIM.



CIRCUIT: SPST

CONTACT CONFIGURATION

NOTES:

1. ALL DIMENSIONS IN MM (IN)
2. TERM. NOS. FOR REF ONLY
3. RATING: DC 12V, 50mA
4. TRAVEL: 0.25 +0.2/-0.1mm
5. CONTACT RESISTANCE: 100 Ohms Max.

REV.	DESCRIPTION	DATE	CHK'D
B	REVISED & REDRAWN		

TOLERANCES	
0.0	±0.1
0.00	±0.25

TITLE	SCALE	DATE	DR	WVG	REV
TL 3302 A F260 Q G	4:1	10/10/96	MM	P010522	B

**E-SWITCH®**