

## Excellent Integrated System Limited

Stocking Distributor

Click to view price, real time Inventory, Delivery & Lifecycle Information:

[Apem Inc.](#)  
[MMS1208](#)

For any questions, you can email us directly:  
[sales@integrated-circuit.com](mailto:sales@integrated-circuit.com)

# MMS Series

## Microminiature Slide Switches

### SPECIFICATIONS

**Contact ratings:** 300 mA at 30 VDC  
**Initial contact resistance:** 25 milliohms max.  
**Insulation resistance:** 100 megohms min. at 500 VDC  
**Dielectric strength:** 500 volts RMS for 1 minute  
**Electrical life:** 10,000 cycles min.  
**Operating temperature range:** -20°C to +70°C  
**Solder heat resistance:** 255°C max. for 5 seconds max.  
**Washing not recommended**


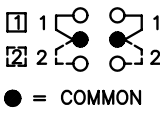
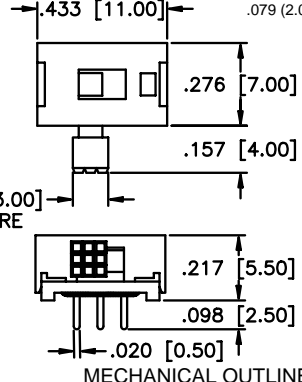
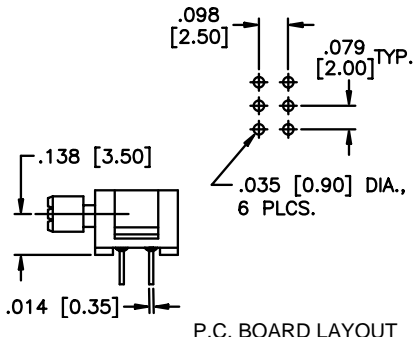

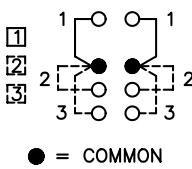
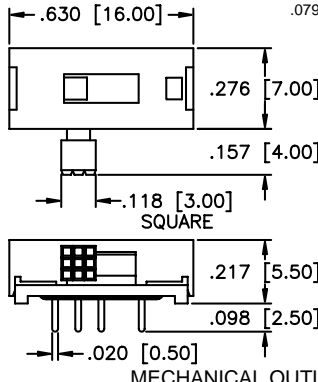
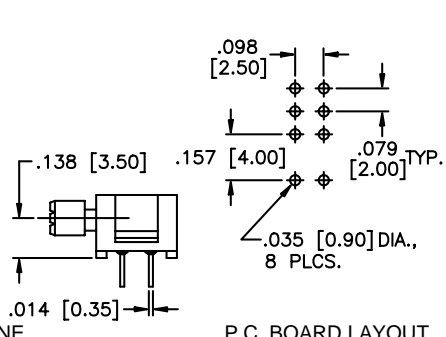

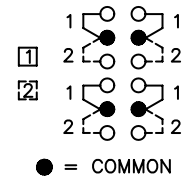
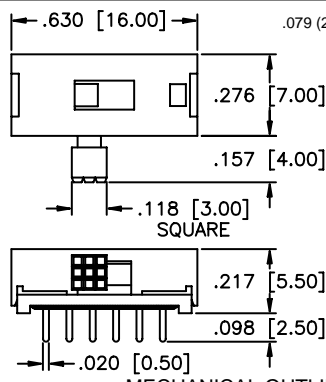
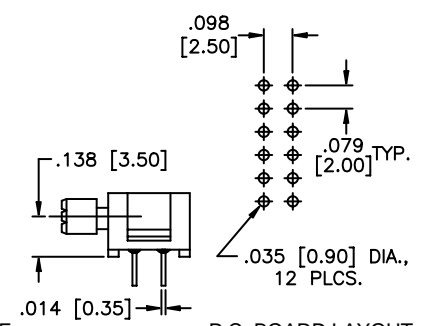
### FEATURES

- Bifurcated wiping contact design.
- Low Profile.
- Epoxy sealed terminals.
- Cosmetic molded case.

### MATERIALS

**Contacts & terminals:** Silver plated  
**Case:** Polyacetal  
**Actuator:** PBT **Base:** Glass filled PBT  
**Terminal seal:** Epoxy or phenol resin

SPECIFICATIONS SUBJECT TO CHANGE WITHOUT NOTICE

<p><b>MODEL NO.</b> <b>MMS22R</b></p>  <p>RIGHT ANGLE ACTUATOR</p>	<p><b>2P2T</b></p>  <p>● = COMMON</p>  <p>MECHANICAL OUTLINE</p>  <p>P.C. BOARD LAYOUT</p>
<p><b>MODEL NO.</b> <b>MMS23R</b></p>  <p>RIGHT ANGLE ACTUATOR</p>	<p><b>2P3T</b></p>  <p>● = COMMON</p>  <p>MECHANICAL OUTLINE</p>  <p>P.C. BOARD LAYOUT</p>
<p><b>MODEL NO.</b> <b>MMS42R</b></p>  <p>RIGHT ANGLE ACTUATOR</p>	<p><b>4P2T</b></p>  <p>● = COMMON</p>  <p>MECHANICAL OUTLINE</p>  <p>P.C. BOARD LAYOUT</p>

**MMS Series**  
**Microminiature Slide Switches**

<b>MODEL NO.</b> <b>MMS1208</b>	<p><b>1P2T</b></p> <p>● = COMMON</p> <p>SCHMATIC      MECHANICAL OUTLINE</p> <p>P.C. BOARD LAYOUT</p>
<b>MODEL NO.</b> <b>MMS2214</b>	<p><b>2P2T</b></p> <p>● = COMMON</p> <p>SCHMATIC      MECHANICAL OUTLINE</p> <p>P.C. BOARD LAYOUT</p>
<b>MODEL NO.</b> <b>MMS42</b>	<p><b>4P2T</b></p> <p>● = COMMON</p> <p>SCHMATIC      MECHANICAL OUTLINE</p> <p>P.C. BOARD LAYOUT</p>
<b>MODEL NO.</b> <b>MMS6202</b>	<p><b>6P2T</b></p> <p>● = COMMON</p> <p>SCHMATIC      MECHANICAL OUTLINE</p> <p>P.C. BOARD LAYOUT</p>

SPECIFICATIONS SUBJECT TO CHANGE WITHOUT NOTICE