

Excellent Integrated System Limited

Stocking Distributor

Click to view price, real time Inventory, Delivery & Lifecycle Information:

[Conec](#)
[FFCFFC211CCC0X](#)

For any questions, you can email us directly:

sales@integrated-circuit.com



[Home](#) | [About Conec](#) | [Product Catalogue](#) | [Custom Solutions](#) | [Requests](#) | [News](#) | [Contact Us](#)

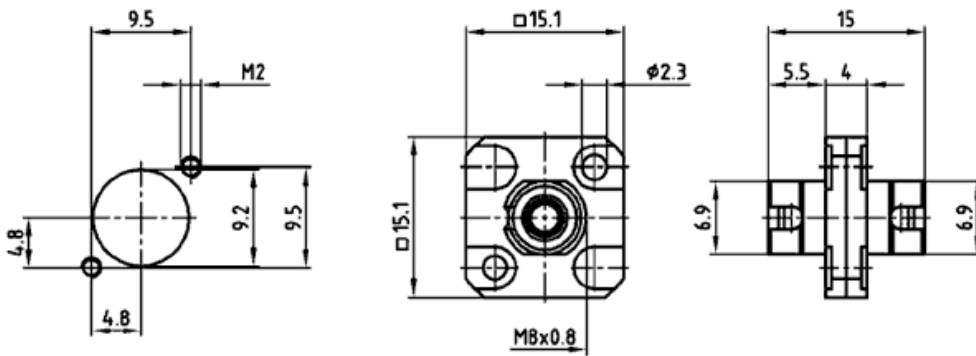


FC-Simplex-Metal Adapters
 Singlemode / Multimode



(click on the schematic(s) for a more detailed view)

Mounting cutout



KAT1 i WHA

Technical Data

- ? Housing material: Metal
- ? Plating: Nickel
- ? Sleeve: PhosphorBronze
Ceramic
- ? Adapters are supplied with dust caps

Kat 1 i WHA

Order Table

SM / MM (Singlemode/Multimode)	Sleeve	Outer housing colour	Part number
SM/APC 8° = Singlemode	ceramic	zinc diecast	FFCFFC213CCC0X
SM = Singlemode	ceramic	zinc diecast	FFCFFC212CCC0X
MM = Multimode	ceramic	zinc diecast	FFCFFC211CCC0X
MM = Multimode	phosphor-bronze	zinc diecast	FFCFFC211BCC0X