

Excellent Integrated System Limited

Stocking Distributor

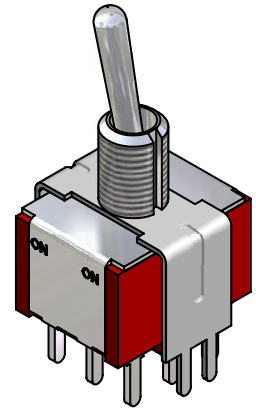
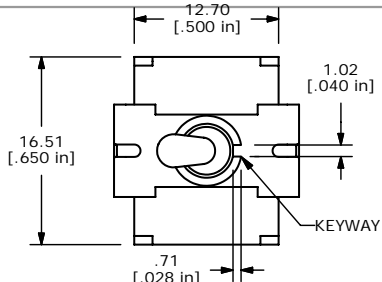
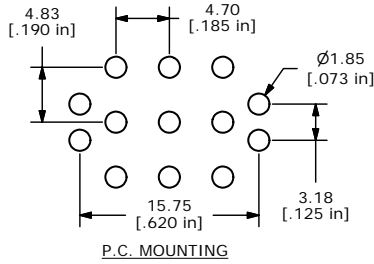
Click to view price, real time Inventory, Delivery & Lifecycle Information:

[E-Switch](#)
[1003P1T1B1VS2QEH](#)

For any questions, you can email us directly:

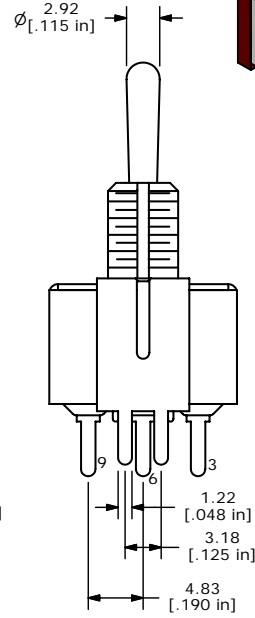
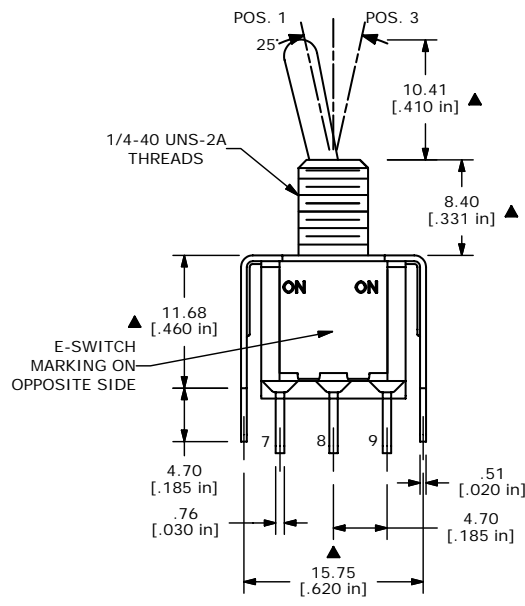
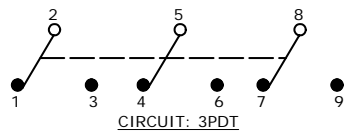
sales@integrated-circuit.com

SHEET 1 OF 1



ISOMETRIC

| SWITCH FUNCTION | | |
|-----------------|--------|---------------|
| POS. 1 | POS. 2 | POS. 3 |
| | | |
| ON | NONE | ON |
| 2-3, 5-6, 8-9 | OPEN | 2-1, 5-4, 8-7 |



- NOTE:
1. ALL DIMENSIONS IN MM [INCH]
 2. GENERAL TOLERANCE: X.X=±0.4 X.XX=±0.25
 3. TERMINAL NUMBERS FOR REF ONLY
 - ▲ 4. PLATING MATERIAL: SILVER
 5. RATING: 5 AMPS @ 120VAC OR 28VDC 2 AMPS @ 250VAC
 6. ELECTRIC LIFE: 40,000 MAKE-AND-BREAK CYCLES AT FULL LOAD.
 7. INSULATION RESISTANCE: 1,000 MEGA-OHM MIN.
 8. DIELECTRIC STRENGTH: 1,000 V RMS @SEA LEVEL.
 9. OPERATING TEMP.: -30°C to 85°C
 10. ▲ DENOTES CRITICAL PARAMETER.



| | | | | |
|-----|--------|-------------------------------|---------|----|
| C | 15137 | CHANGE DIM. FROM 8.89 TO 8.40 | 8/5/05 | PV |
| B | 14720 | REVISED AND REDRAWN | 2/24/05 | AR |
| REV | PCR NO | DESCRIPTION | DATE | BY |

| | | | | |
|-----------------------|---------------|--------|-------------|-------|
| TITLE 1003P1T1B1VS2QE | | | | |
| SCALE 2:1 | DATE 6/8/2000 | DR GLG | DWG T131023 | REV C |

THE INFORMATION CONTAINED IN THIS DOCUMENT IS PROPRIETARY TO E-SWITCH AND IS NOT TO BE COPIED OR TRANSFERRED