

## Excellent Integrated System Limited

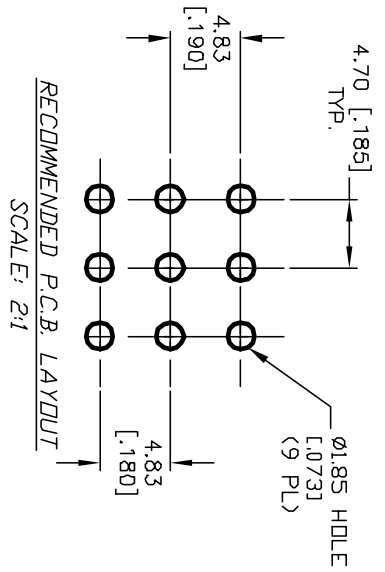
Stocking Distributor

Click to view price, real time Inventory, Delivery & Lifecycle Information:

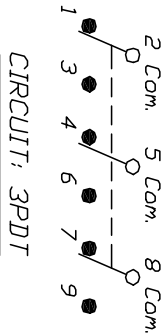
[E-Switch](#)  
[1003P1T2B2M2QE](#)

For any questions, you can email us directly:

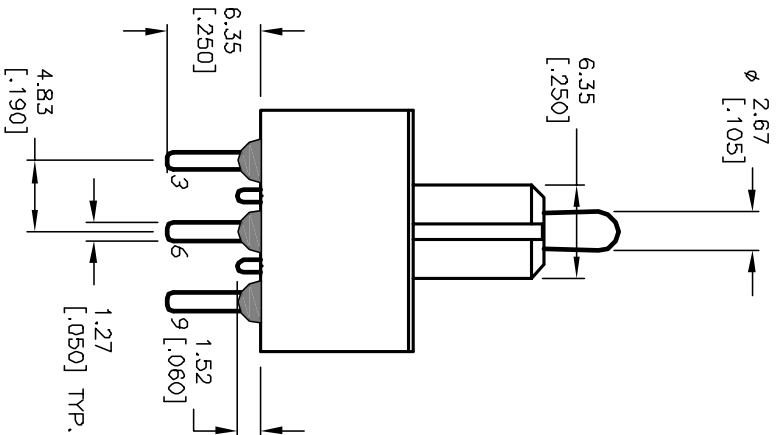
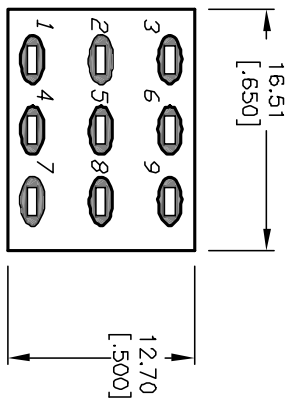
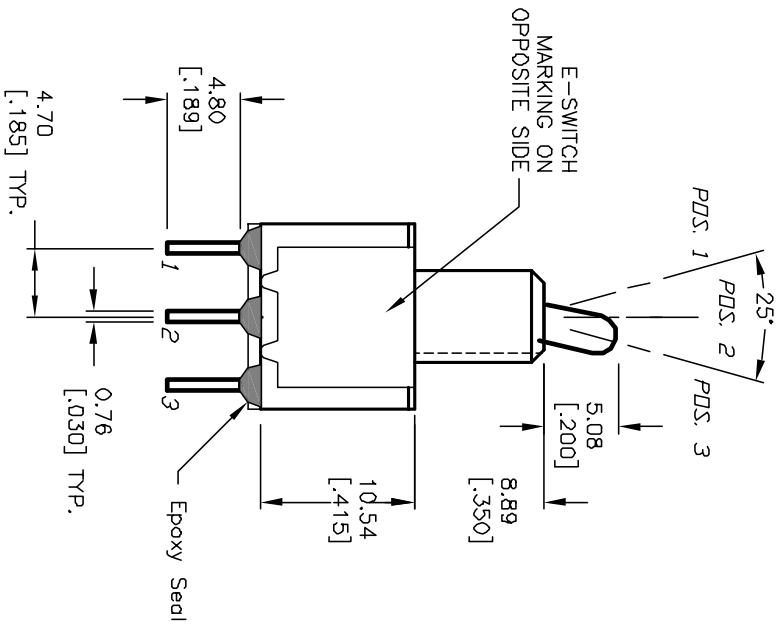
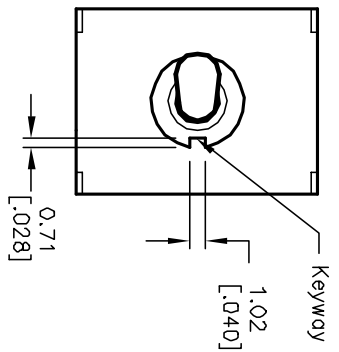
[sales@integrated-circuit.com](mailto:sales@integrated-circuit.com)



SWITCH FUNCTION		
PDS. 1	PDS. 2	PDS. 3
DN	NONE	DN
2-3,5-6 8-9	DPEN	2-1,5-4 8-7



- NOTES:
1. ALL DIMENSIONS IN MM [INCH]
  2. GENERAL TOLERANCE: X.X=±0.4 X.XX=±0.25
  3. TERM. NDS. FOR REF. ONLY
  4. RATING: 5A @120VAC or 28VDC; 2A @250VAC
  5. MATERIALS: FIXED TERM. & MOVING CONTACT: Copper Alloy W/Silver plate  
Epoxy Seal
  6. ELECTRICAL LIFE: 50,000 make-and-break cycles at full load.
  7. INSULATION RESISTANCE: 1,000M ohm min.
  8. DIELECTRIC STRENGTH: 1000V RMS @sea level
  9. OPERATING TEMP.: -30°C to 85°C



REV. A	ECN No. 12518	RELEASED FOR PRODUCTION	10/28/02	CJB
		DESCRIPTION	DATE	CHKD

TITLE	SCALE	DATE	DR	DWG	REV
100 3P-1 T2 B2 M2 Q E	2:1	10/28/02	CB	T131029	A

**E-SWITCH®**

THE INFORMATION CONTAINED IN THIS DOCUMENT IS PROPRIETARY TO E-SWITCH AND IS NOT TO BE COPIED OR TRANSMITTED