

## Excellent Integrated System Limited

Stocking Distributor

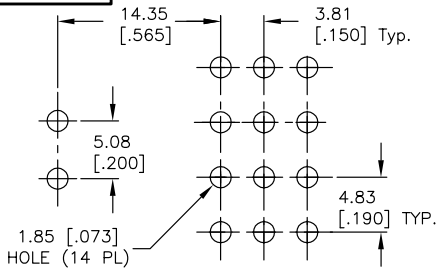
Click to view price, real time Inventory, Delivery & Lifecycle Information:

[E-Switch](#)  
[1004P1T1B9M7QE](#)

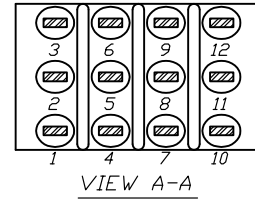
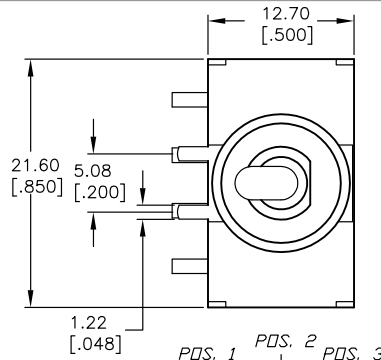
For any questions, you can email us directly:

[sales@integrated-circuit.com](mailto:sales@integrated-circuit.com)

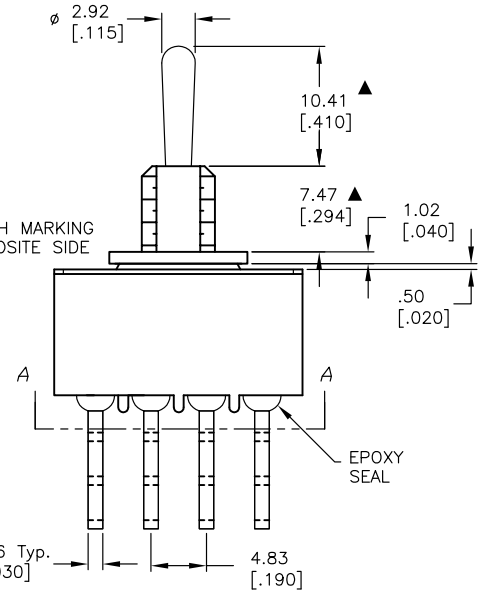
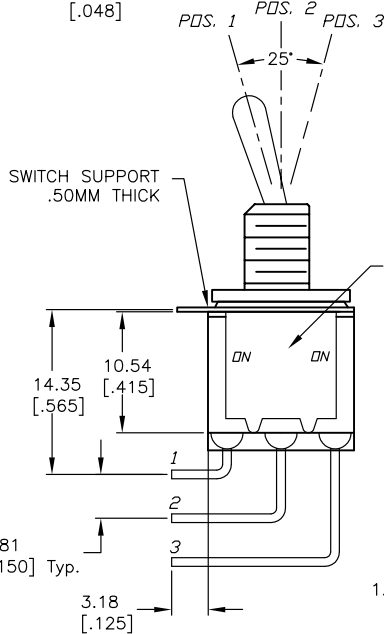
SHEET 1 OF 1



RECOMMENDED P.C.B. LAYOUT  
SCALE: 2X



SWITCH FUNCTION		
POS. 1 ON	POS. 2 NONE	POS. 3 ON
2-3,5-6	OPEN	2-1,5-4
8-9,11-12		8-7,11-10



NOTES:

- ALL DIMENSIONS IN MM [INCH]
- GENERAL TOLERANCE: X.X=±0.4  
X.XX=±0.25
- TERMINAL NUMBERS FOR REF ONLY
- RATING: 5A @120VACor 28VDC  
2A @250VAC, w/resistive loads
- CONTACT & TERM MATERIAL:  
▲ Cu Alloy w/Silver plate.
- ELECTRIC LIFE: 50,000 make-and-break cycles at full load.
- INSULATION RESISTANCE: 1,000 Mega-ohm min.
- DIELECTRIC STRENGTH: 1,000 V RMS @sea level.
- OPERATING TEMP.: -30°C to 85°C
- ▲ DENOTES CRITICAL PARAMETER.

REV.	ECN No.	DESCRIPTION	DATE	CHKD
A	13914	RELEASED FOR PRODUCTION	4/15/04	AR

THE INFORMATION CONTAINED IN THIS DOCUMENT IS PROPRIETARY TO E-SWITCH AND IS NOT TO BE COPIED OR TRANSFERRED

<b>E-SWITCH®</b>				
TITLE				
1004P1T1B9M7QE				
SCALE	DATE	DR	DWG	REV
2:1	4/15/04	AR	T147001	A