

Excellent Integrated System Limited

Stocking Distributor

Click to view price, real time Inventory, Delivery & Lifecycle Information:

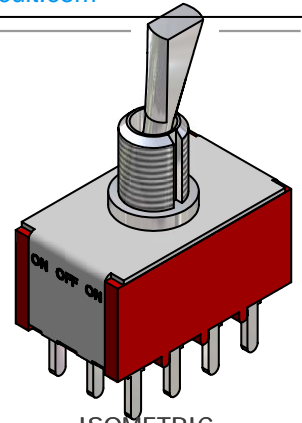
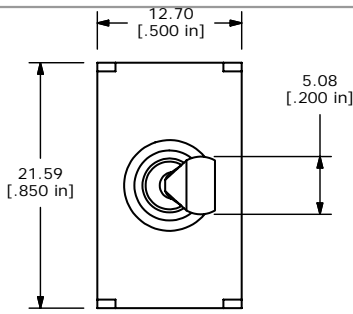
[E-Switch](#)
[1004P1T6B11M2QE](#)

For any questions, you can email us directly:

sales@integrated-circuit.com

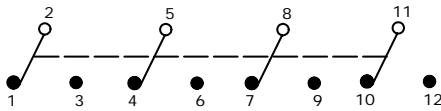
SHEET 1 OF 1

SWITCH FUNCTION		
POS. 1	POS. 2	POS. 3
ON	NONE	ON
2-3, 5-6, 8-9, 11-12	N/A	2-1, 5-4, 8-7, 11-10

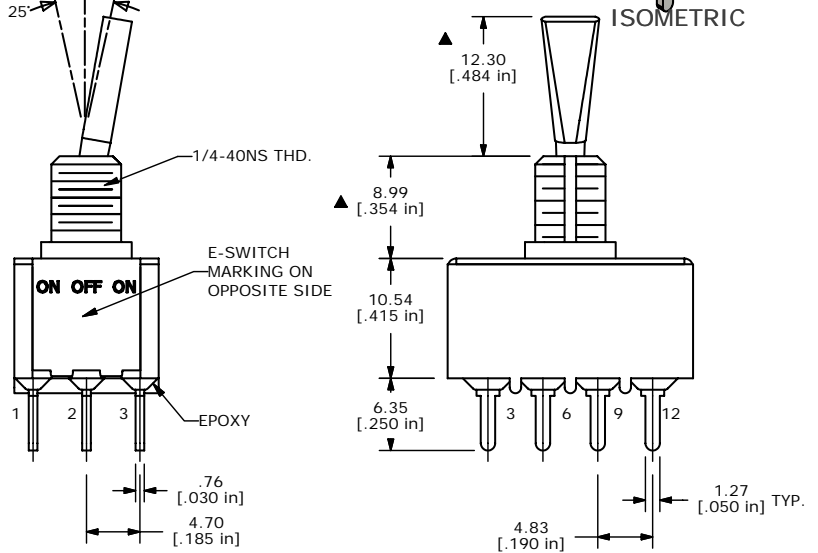


ISOMETRIC

POSITION 1 POSITION 3



CIRCUIT: 4PDT



- NOTE:
1. ALL DIMENSIONS IN MM [INCH]
 2. GENERAL TOLERANCE: X.X=±0.4
X.XX=±0.25
 3. TERMINAL NUMBERS FOR REF ONLY
 4. PLATING MATERIAL: SILVER
 5. RATING: 5AMPS W/RESISTIVE LOAD @ 120VAC OR 28VDC
2AMPS W/RESISTIVE LOAD @ 250VAC
 6. ELECTRIC LIFE: 40,000 make-and-break cycles at full load.
 7. INSULATION RESISTANCE: 1,000 Mega-ohm min.
 8. DIELECTRIC STRENGTH: 1,000 V RMS @sea level.
 9. OPERATING TEMP.: -30°C to 85°C
 10. ▲ DENOTES CRITICAL PARAMETER.
 11. 2002/95/EC (ROHS) COMPLIANT



A	16060	NEW PART RELEASE	6/7/06	CT
REV	PCR NO	DESCRIPTION	DATE	BY

TITLE 1004P1T6B11M2QE				
SCALE 2:1	DATE 6/7/2006	DR CT	DWG T142999	REV A

THE INFORMATION CONTAINED IN THIS DOCUMENT IS PROPRIETARY TO E-SWITCH AND IS NOT TO BE COPIED OR TRANSFERRED