

Excellent Integrated System Limited

Stocking Distributor

Click to view price, real time Inventory, Delivery & Lifecycle Information:

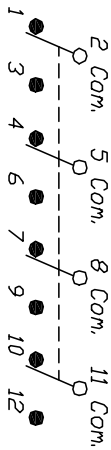
[E-Switch](#)
[1004P2T1B1M1QE](#)

For any questions, you can email us directly:

sales@integrated-circuit.com

SWITCH FUNCTION		
POS. 1	POS. 2	POS. 3
DN	NONE	COM
2-3,5-6 8-9,11-12	DPEN	2-1,5-4 8-7,11-10

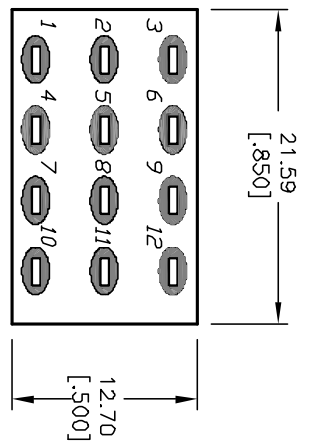
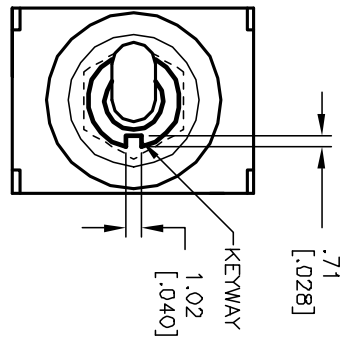
◇ MOMENTARY



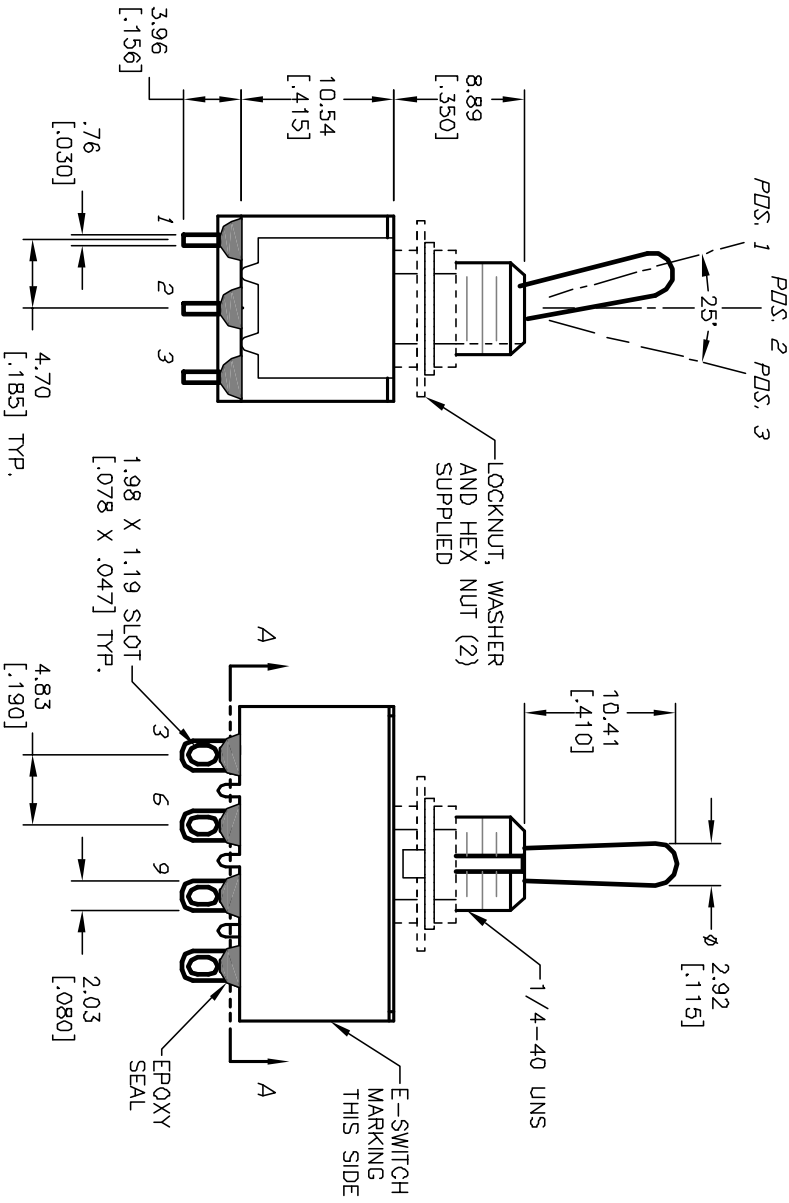
CIRCUIT: 4PDT

NOTES:

1. ALL DIMENSIONS IN MM [INCH]
2. GENERAL TOLERANCE: X.X=±0.4
X.XX=±0.25
3. TERMINAL NUMBERS FOR REF ONLY
4. RATING: 5A @120VACor 28VDC
2A @250VAC, w/resistive loads
5. CONTACT & TERM MATERIAL:
Copper Alloy w/Silver plating.
6. ELECTRIC LIFE: 50,000 make-and-break cycles
at full load.
7. INSULATION RESISTANCE: 1,000 Mega-ohm min.
DIELECTRIC STRENGTH: 1,000 V RMS @sea level.
8. OPERATING TEMP.: -30°C to 85°C



VIEW A-A



REV.	ECN No.	DESCRIPTION	DATE	CHKD
A	12460	RELEASED FOR PRODUCTION	10/3/02	CJB
B				

TITLE	SCALE	DATE	DR	DWG	REV
100 4P-2 T1 B1 M1 Q E	2:1	10/3/02	CJB	T142003	A

E-SWITCH®

THE INFORMATION CONTAINED IN THIS DOCUMENT IS PROPRIETARY TO E-SWITCH AND IS NOT TO BE COPIED OR TRANSMITTED