

Excellent Integrated System Limited

Stocking Distributor

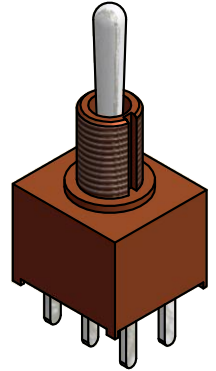
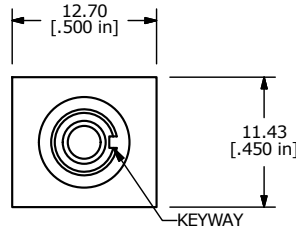
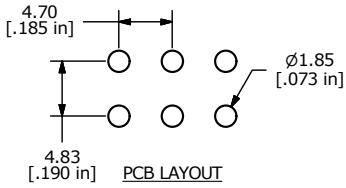
Click to view price, real time Inventory, Delivery & Lifecycle Information:

[E-Switch](#)
[100AWDP1T1B1M2REH](#)

For any questions, you can email us directly:

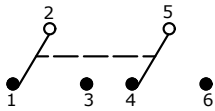
sales@integrated-circuit.com

SHEET 1 OF 1

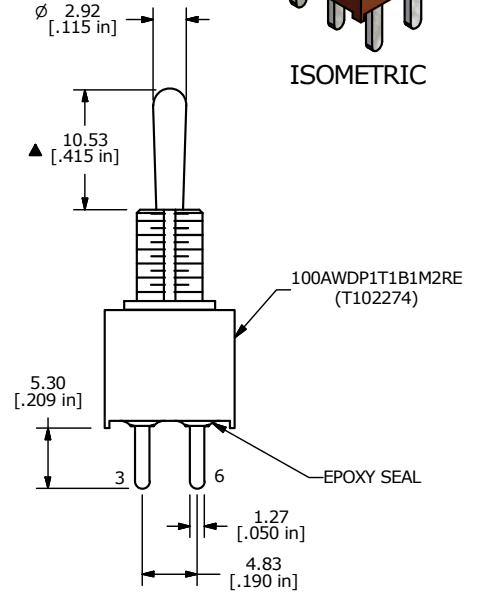
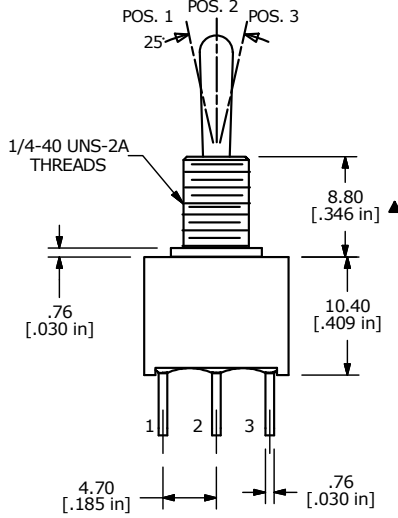


ISOMETRIC

SWITCH FUNCTION		
POS. 1	POS. 2	POS. 3
ON	NONE	ON
2-3, 5-6	N/A	2-1, 5-4



CIRCUIT: DPDT



- NOTE:
- ALL DIMENSIONS IN MM [INCH].
 - GENERAL TOLERANCE: X.X=±0.4 X.XX=±0.25
 - TERMINAL NUMBERS FOR REF ONLY.
 - PLATING MATERIAL: GOLD
 - RATING: 0.4 VOLT-AMPS(VA) MAX. @20V MAX. (AC OR DC)
 - ELECTRIC LIFE: 30,000 MAKE-AND-BREAK CYCLES AT FULL LOAD.
 - INSULATION RESISTANCE: 1,000 MEGA-OHM MIN.
 - DIELECTRIC STRENGTH: 1,000 V RMS @SEA LEVEL.
 - OPERATING TEMP.: -30°C to 85°C
 - 2002/95/EC (ROHS) COMPLIANT.
 - ▲ DENOTES CRITICAL PARAMETER.
 - HARDWARE TO BE SHIPPED BULK:
 T100011 - LOCK WASHER, QTY 1
 T100015 - LOCK RING, QTY 1
 T100000 - HEX NUT, QTY 2



B	22313	UPDATED CONTACT NUMBERING	5/20/16	MJR
A	16142	RELEASED FOR PRODUCTION	6/14/06	CT
REV	PCR NO	DESCRIPTION	DATE	BY

TITLE 100AWDP1T1B1M2REH				
SCALE 2:1	DATE 6/14/2006	DR CT	DWG ST102274	REV B

THE INFORMATION CONTAINED IN THIS DOCUMENT IS PROPRIETARY TO E-SWITCH AND IS NOT TO BE COPIED OR TRANSFERRED