

Excellent Integrated System Limited

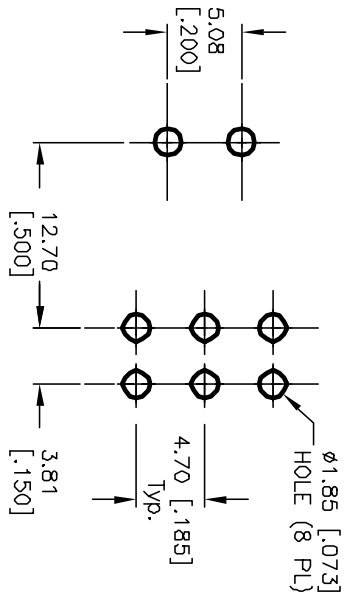
Stocking Distributor

Click to view price, real time Inventory, Delivery & Lifecycle Information:

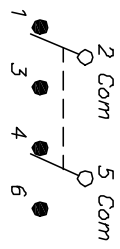
[E-Switch](#)
[100AWDP1T1B4M6RE](#)

For any questions, you can email us directly:

sales@integrated-circuit.com



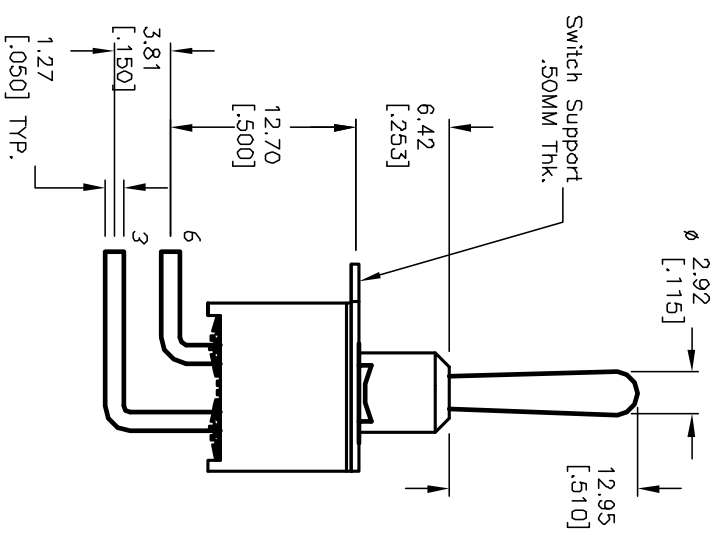
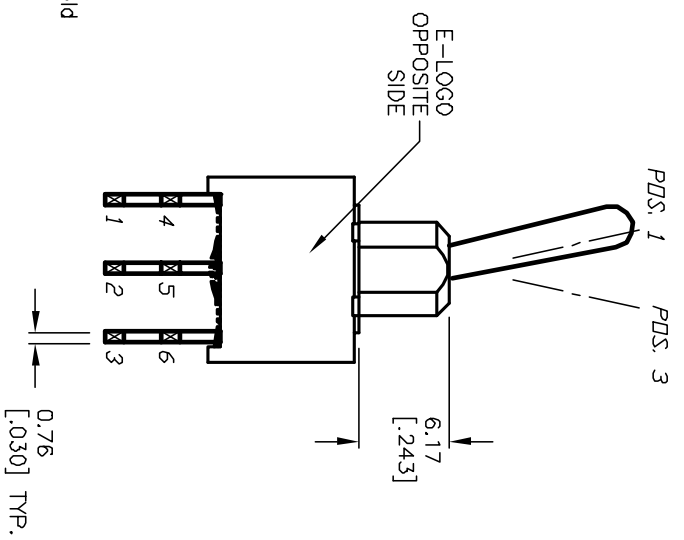
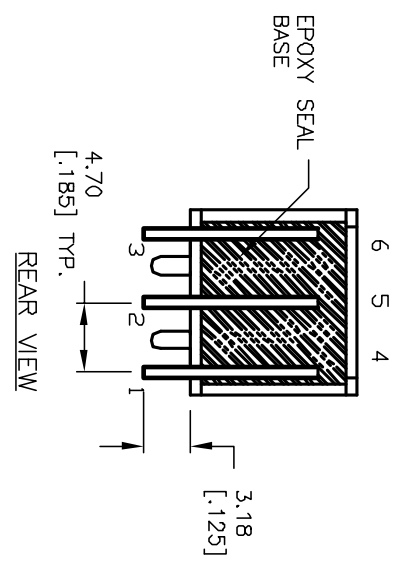
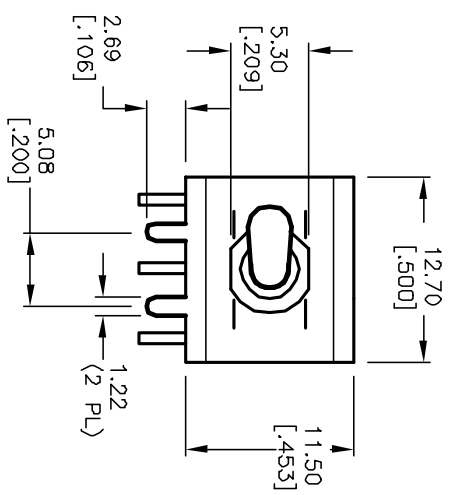
RECOMMENDED P.C.B. LAYOUT



SWITCH FUNCTION		
POS. 1	POS. 2	POS. 3
DN	NONE	DN
2-3-5-6	OPEN	2-1-5-4

NOTES:

1. ALL DIMENSIONS IN MM [INCH]
2. GENERAL TOLERANCE: X.X=±0.4 X.XX=±0.25
3. TERM. NOS. FOR REF. ONLY
4. RATING: 0.4(VA) Max. @20V (AC or DC)
5. FIXED TERM. & MOVING CONTACT: COPPER ALLOY W/Gold PLATE over Ni Plate
6. ELECTRICAL LIFE: 50,000 make-and-break cycles at full load.
7. INSULATION RESISTANCE: 1,000M ohm min.
8. DIELECTRIC STRENGTH: 1,000V RMS @sea level.
9. OPERATING TEMP.: -30°C to +85°C.



REV.	ECN No.	DESCRIPTION	DATE	CHKD
A	12042	RELEASED FOR PRODUCTION	4/5/02	CJB
		DE-SCRIPTION		CHKD

TITLE	SCALE	DATE	DR	DWG	REV
100A WDP-1 T1 B4 M6 R E (GOLD CONTACTS)	2:1	4/5/02	CJB	T102100	A

E-SWITCH®

THE INFORMATION CONTAINED IN THIS DOCUMENT IS PROPRIETARY TO E-SWITCH AND IS NOT TO BE COPIED OR TRANSMITTED