

## Excellent Integrated System Limited

Stocking Distributor

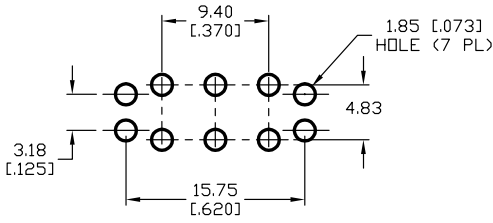
Click to view price, real time Inventory, Delivery & Lifecycle Information:

[E-Switch](#)  
[100AWDP1T1B4VS21QE](#)

For any questions, you can email us directly:

[sales@integrated-circuit.com](mailto:sales@integrated-circuit.com)

SHEET OF



**RECOMMENDED P.C.B LAYOUT**  
SCALE: 2X

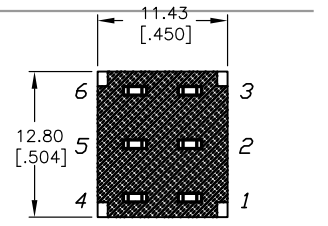
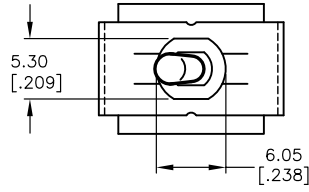


**SPDT CIRCUIT CONTACT CONFIGURATION**

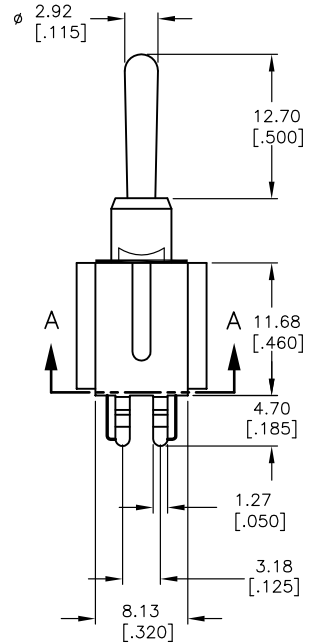
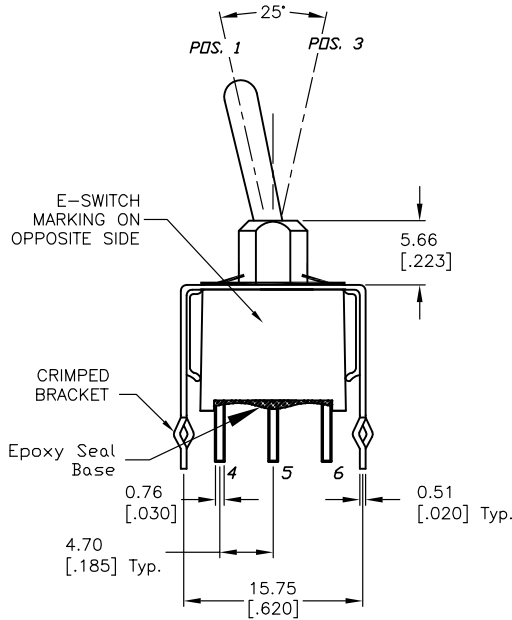
SWITCH FUNCTION		
POS. 1	POS. 2	POS. 3
ON	NONE	ON
2-3	OPEN	2-1

**NOTES:**

1. ALL DIMENSIONS IN MM
2. GENERAL TOLERANCE: X.X=±0.4  
X.XX=±0.25
3. TERMINAL NUMBERS FOR REF ONLY
4. RATING: 5A @120VAC OR 28VDC  
2A @250VAC
5. FIXED TERM. & MOVING CONTACT: Cu Alloy w/Silver Plate
6. ELECTRIC LIFE: 50,000 make-and-break cycles at full load.
7. INSULATION RESISTANCE: 1,000 Mega-ohm min.
8. DIELECTRIC STRENGTH: 1,000 V RMS @sea level.
9. OPERATING TEMP.: -30°C to 85°C



**SECTION A-A**  
CONTACTS & BRACKET REMOVED FOR CLAIRITY



**E-SWITCH®**

A	13976	RELEASED FOR PRODUCTION	5/5/04	AR
REV.	ECN No.	DESCRIPTION	DATE	CHKD

TITLE				
100AWDP1T1B4VS21QE				
SCALE	DATE	DR	DWG	REV
2:1	5/5/04	AR	T102111	A

THE INFORMATION CONTAINED IN THIS DOCUMENT IS PROPRIETARY TO E-SWITCH AND IS NOT TO BE COPIED OR TRANSFERRED