

## Excellent Integrated System Limited

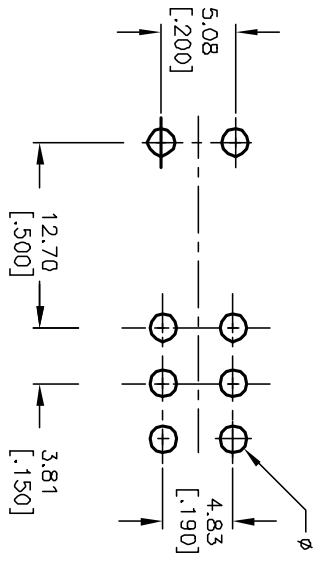
Stocking Distributor

Click to view price, real time Inventory, Delivery & Lifecycle Information:

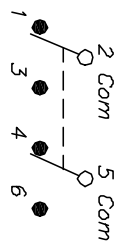
[E-Switch](#)  
[100DP1T1B4M7QE](#)

For any questions, you can email us directly:

[sales@integrated-circuit.com](mailto:sales@integrated-circuit.com)



RECOMMENDED P.C.B. LAYOUT

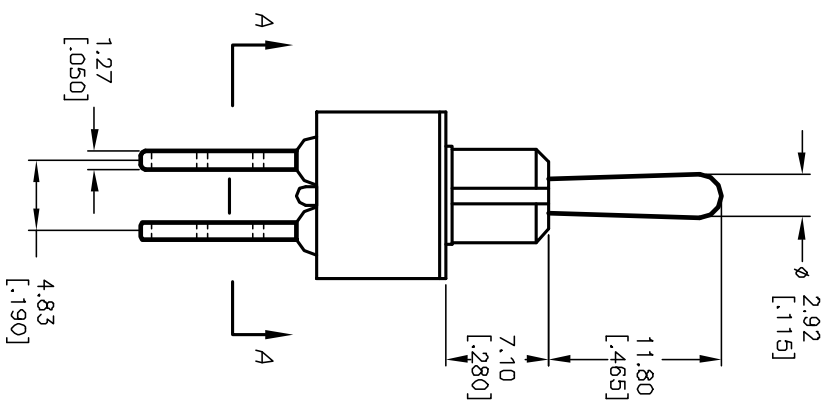
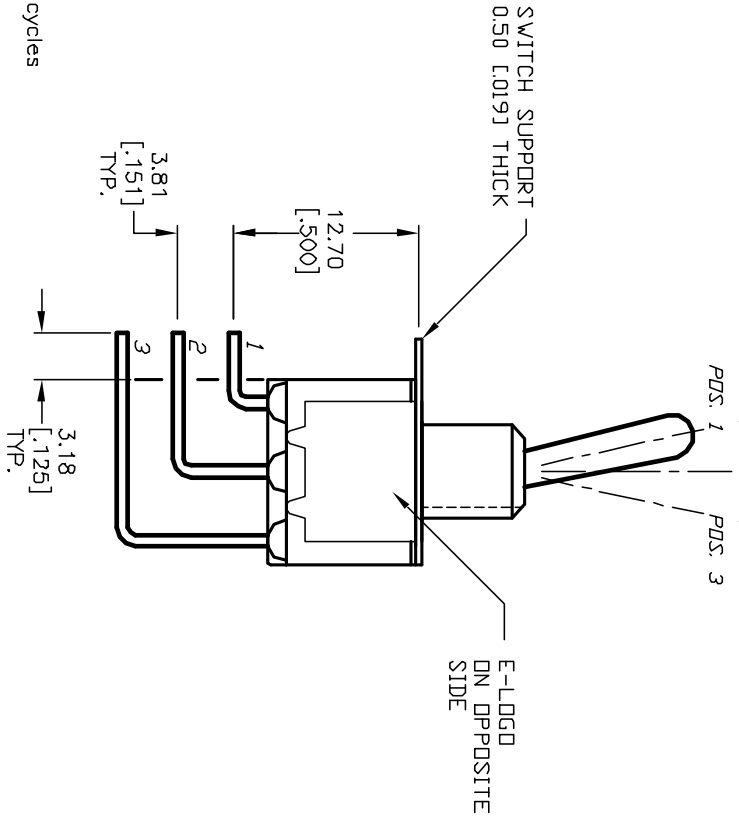
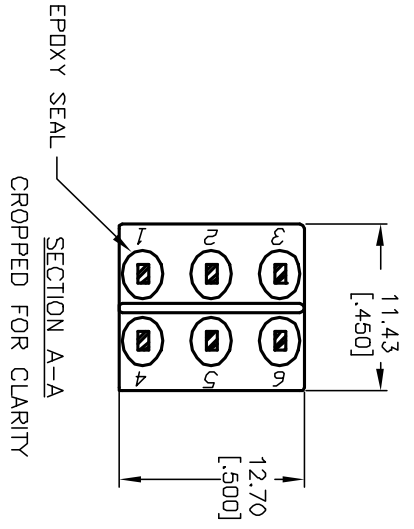
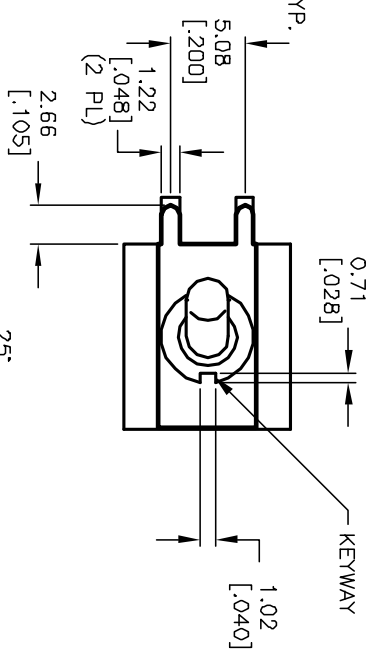


CIRCUIT: DPDT  
CONTACT CONFIGURATION

SWITCH FUNCTION	POS. 1	POS. 2	POS. 3
DN	DN	NONE	DN
2-3-5-6	OPEN	2-1-5-4	

NOTES:

1. ALL DIMENSIONS IN MM [INCH]
2. GENERAL TOLERANCE: X.X=±0.4 X.XX=±0.25
3. TERM. NOS. FOR REF. ONLY
4. RATING: 5A @120VAC OR 2BVDC; 2A @250VAC.
5. FIXED TERM. & MOVING CONTACT:  
Copper Alloy W/SILVER plate.
6. ELECTRICAL LIFE: 50,000 make-and-break cycles at full load.
7. INSULATION RESISTANCE: 1,000M ohm min.
8. DIELECTRIC STRENGTH: 1,000V RMS @sea level.
9. OPERATING TEMP.: -30°C to +85°C.



**E-SWITCH®**

100 DP-1 T1 B4 M7 Q E

REV.	ECN No.	DESCRIPTION	DATE	CHKD
A	12005	RELEASED FOR PRODUCTION	3/20/02	CJB

TITLE	SCALE	DATE	DR	DWG	REV
100 DP-1 T1 B4 M7 Q E	2:1	3/20/02	CJB	T121071	A

THE INFORMATION CONTAINED IN THIS DOCUMENT IS PROPRIETARY TO E-SWITCH AND IS NOT TO BE COPIED OR TRANSMITTED